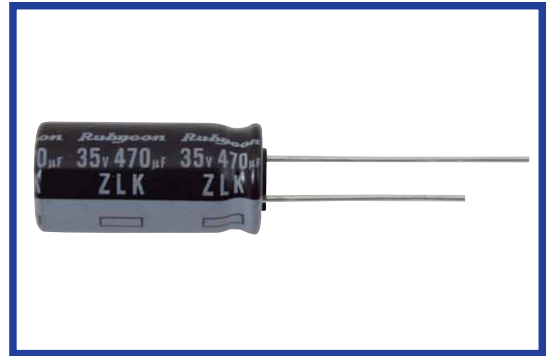


ZLK SERIES

105°C Ultra High Ripple, Low Impedance.

◆FEATURES

- Load Life: 105°C 4000~5000hours.
- RoHS compliance.

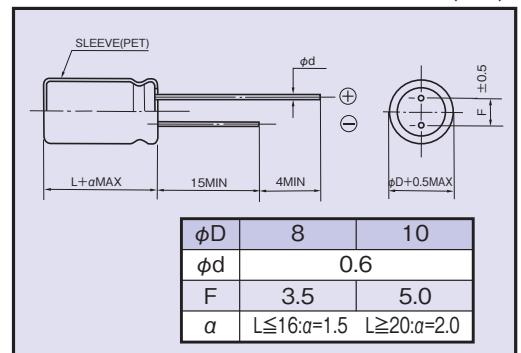


◆SPECIFICATIONS

Items	Characteristics																		
Category Temperature Range	-40~+105°C																		
Rated Voltage Range	10~35V.DC																		
Capacitance Tolerance	±20% (20°C, 120Hz)																		
Leakage Current(MAX)	I=0.01CV (After 2 minutes) I=(µA) Leakage Current C=(µF) Rated Capacitance V=(V) Rated Voltage																		
(tanδ) Dissipation Factor(MAX)	<table border="1"> <thead> <tr> <th>Rated Voltage</th> <th>10</th> <th>16</th> <th>25</th> <th>35</th> <th>(20°C, 120Hz)</th> </tr> </thead> <tbody> <tr> <td>tanδ</td> <td>0.19</td> <td>0.16</td> <td>0.14</td> <td>0.12</td> <td></td> </tr> </tbody> </table>	Rated Voltage	10	16	25	35	(20°C, 120Hz)	tanδ	0.19	0.16	0.14	0.12							
Rated Voltage	10	16	25	35	(20°C, 120Hz)														
tanδ	0.19	0.16	0.14	0.12															
Endurance	After life test with rated ripple current at conditions stated in the table below, the capacitors shall meet the following requirement. <table border="1"> <thead> <tr> <th>Capacitance Change</th> <th>Within ±25% of the initial value.</th> <th>Case Size</th> <th>(hrs) Life Time</th> </tr> </thead> <tbody> <tr> <td>Dissipation Factor</td> <td>Not more than 200% of the specified value.</td> <td>8×16, 8×20 10×12.5</td> <td>4000</td> </tr> <tr> <td>Leakage Current</td> <td>Not more than the specified value.</td> <td>10×16, 10×20 10×25</td> <td>5000</td> </tr> </tbody> </table>	Capacitance Change	Within ±25% of the initial value.	Case Size	(hrs) Life Time	Dissipation Factor	Not more than 200% of the specified value.	8×16, 8×20 10×12.5	4000	Leakage Current	Not more than the specified value.	10×16, 10×20 10×25	5000						
Capacitance Change	Within ±25% of the initial value.	Case Size	(hrs) Life Time																
Dissipation Factor	Not more than 200% of the specified value.	8×16, 8×20 10×12.5	4000																
Leakage Current	Not more than the specified value.	10×16, 10×20 10×25	5000																
Low Temperature Stability Impedance Ratio(MAX)	<table border="1"> <thead> <tr> <th>Rated Voltage</th> <th>10</th> <th>16</th> <th>25</th> <th>35</th> <th>(120Hz)</th> </tr> </thead> <tbody> <tr> <td>Z(-25°C)/Z(20°C)</td> <td>2</td> <td>2</td> <td>2</td> <td>2</td> <td></td> </tr> <tr> <td>Z(-40°C)/Z(20°C)</td> <td>3</td> <td>3</td> <td>3</td> <td>3</td> <td></td> </tr> </tbody> </table>	Rated Voltage	10	16	25	35	(120Hz)	Z(-25°C)/Z(20°C)	2	2	2	2		Z(-40°C)/Z(20°C)	3	3	3	3	
Rated Voltage	10	16	25	35	(120Hz)														
Z(-25°C)/Z(20°C)	2	2	2	2															
Z(-40°C)/Z(20°C)	3	3	3	3															

◆DIMENSIONS

(mm)



◆MULTIPLIER FOR RIPPLE CURRENT Frequency Coefficient

(Hz) Frequency	120	1k	10k	100k≤
Coefficient	0.30	0.70	0.90	1.00

◆STANDARD SIZE Size φDXL(mm) Ripple current(mA r.m.s./105°C, 100kHz), Impedance(Ω Max/100kHz)

WV (V.DC)	Cap (µF)	Size (φDxL)	Ripple	Impedance		WV (V.DC)	Cap (µF)	Size (φDxL)	Ripple	Impedance		WV (V.DC)	Cap (µF)	Size (φDxL)	Ripple	Impedance	
				20°C	-10°C					20°C	-10°C					20°C	-10°C
10 (1A)	680	8×16	2050	0.059	0.18	16 (1C)	470	8×16	2050	0.059	0.18	25 (1E)	330	8×16	2050	0.059	0.18
	680	10×12.5	2190	0.053	0.16		560	10×12.5	2190	0.053	0.16		390	10×12.5	2190	0.053	0.16
	1000	8×20	2380	0.041	0.13		680	8×20	2380	0.041	0.13		470	8×20	2380	0.041	0.13
	1000	10×16	2550	0.038	0.12		820	10×16	2550	0.038	0.12		560	10×16	2550	0.038	0.12
	1500	10×20	2880	0.028	0.084		1200	10×20	2880	0.028	0.084		820	10×20	2880	0.028	0.084
	1800	10×25	3160	0.024	0.072		1500	10×25	3160	0.024	0.072		1000	10×25	3160	0.024	0.072
35 (1V)	220	8×16	2050	0.059	0.18							35 (1V)	220	8×16	2050	0.059	0.18
	220	10×12.5	2190	0.053	0.16								220	10×12.5	2190	0.053	0.16
	270	8×20	2380	0.041	0.13								270	8×20	2380	0.041	0.13
	330	10×16	2550	0.038	0.12								330	10×16	2550	0.038	0.12
	470	10×20	2880	0.028	0.084								470	10×20	2880	0.028	0.084
		560	10×25	3160	0.024	0.072							560	10×25	3160	0.024	0.072

◆OPTION

	Code
PET Sleeve	Blank

◆PART NUMBER

□□□	ZLK	□□□	M	□□□	□□□	DXL
Rated Voltage	Series	Rated Capacitance	Capacitance Tolerance	Option	Lead Forming	Case Size