

INDICATOR TUBE

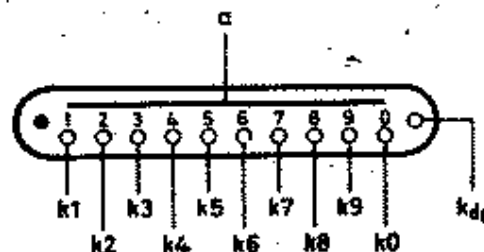
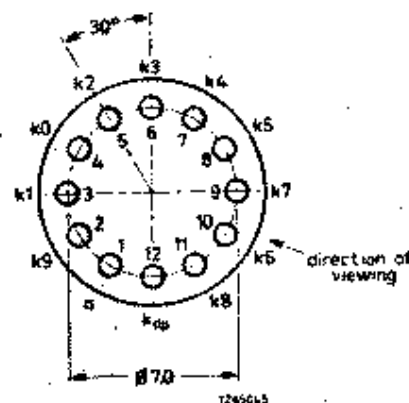
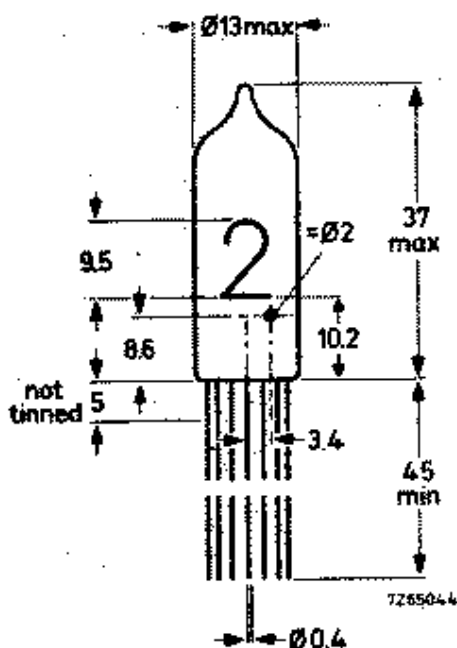
Long-life cold cathode ten-digit indicator tube for side viewing.

QUICK REFERENCE DATA

Numeral height		approx. 9,5 mm
Numerals		1 2 3 4 5 6 7 8 9 0
Decimal point		to the right of the numerals
Supply voltage	$V_{ba}(\text{pulse})$	max. 170 V
Cathode current, peak	I_{kp}	max. 11 mA
average	I_k	max. 1,1 mA

DIMENSIONS AND CONNECTIONS

Dimensions in mm



Mounting position: any

Soldering

The leads may be dip-soldered at a solder temperature of max. 240 °C for maximum 10 s up to a point 5 mm from the seals.