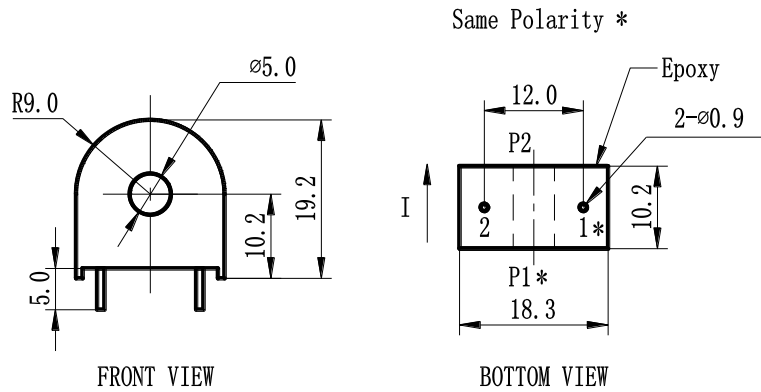




ZMCT103D CURRENT TRANSFORMER

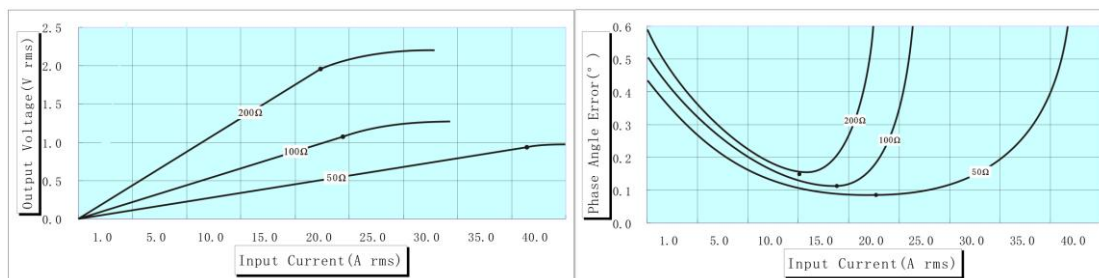
Mechanical Dimensions(mm)



Technical Parameter

Primary Current	5A	Frequency Range	50 ~ 60Hz
Secondary Current	2.5mA	Internal Resistance	150 Ω
Turns Ratio	1:2000	Dielectric Level	3000VAC/min
Phase Angle Error	$\leq 20'$	Ambient Temp	-40 $^{\circ}$ C ~ +70 $^{\circ}$ C
Current Range	0 ~ 10A	Cup	PBT
Linearity	0.1%	Encapsulant	Epoxy
Accuracy class	0.2	Approx.Weight	7.6g
Rated Burden	$\leq 200 \Omega$		

Output Characteristic



Description: Our Micro Precision Current Transformers, with low price, small size and easy PCB mounting, are mainly used in electrical energy meters, household electrical equipment, industrial apparatuses, electrical testing equipment and relay protection, widely acclaimed as well.