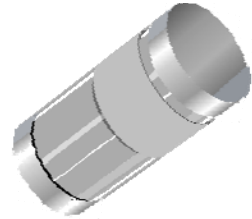


500mW Surface Mount Zener Diodes

Features

- Planar Die Construction
- 500mW Power Dissipation
- Very Sharp Reverse Characteristic
- Very High Stability
- Low Reverse Current Level
- Standard Zener Voltage Tolerance is $\pm 5\%$
- Ideally Suited for Automated Assembly Processes
- RoHS Compliant



MiniMelf



Mechanical Data

Case:	Molded Glass MiniMelf
Terminals:	Solderable per MIL-STD-750, Method 2026
Polarity:	Color band denotes cathode end
Weight:	Approx. 0.03 grams

Maximum Ratings & Electrical Characteristics ($T_{Ambient}=25^{\circ}C$ unless noted otherwise)

Symbol	Description	Value	Unit	Conditions
P_D	Power Dissipation at $T_a=25^{\circ}C$	500	mW	
V_F	Forward Voltage	1.5	V	$I_F=200mA$
R_{thJA}	Thermal Resistance Junction to Ambient	0.3	K/mW	
T_J	Junction Temperature	175	$^{\circ}C$	
T_{STG}	Storage Temperature Range	-65 to +175	$^{\circ}C$	

Note: Valid provided that leads at a distance of 8mm from case are kept at ambient temperature.

500mW Surface Mount Zener Diodes

ZMM2V4 - ZMM100

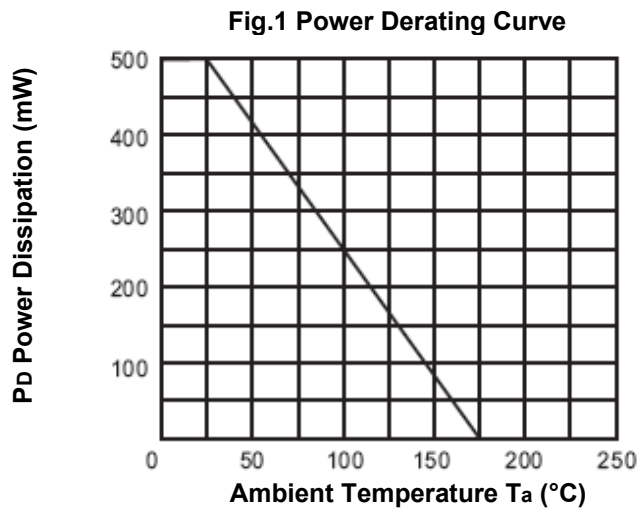
P/N	Marking Code	Normal Zener Voltage				Max. Zener impedance			Max. reverse leakage current	
		VZ @ IZT				ZZT @ IZT	Zzk @ Izk		ID @ VR	
		Nom.(V)	Min. (V)	Max. (V)	IZT (mA)	Ω	Ω	mA	μA	VR (V)
ZMM2V4	C2V4	2.4	2.28	2.56	5.0	85	600	1	50	1
ZMM2V7	C2V7	2.7	2.5	2.9	5.0	85	600	1	10	1
ZMM3V0	C3V0	3.0	2.8	3.2	5.0	85	600	1	4	1
ZMM3V3	C3V3	3.3	3.1	3.5	5.0	85	600	1	2	1
ZMM3V6	C3V6	3.6	3.4	3.8	5.0	85	600	1	2	1
ZMM3V9	C3V9	3.9	3.7	4.1	5.0	85	600	1	2	1
ZMM4V3	C4V3	4.3	4.0	4.6	5.0	75	600	1	1	1
ZMM4V7	C4V7	4.7	4.4	5.0	5.0	60	600	1	0.5	1
ZMM5V1	C5V1	5.1	4.8	5.4	5.0	35	550	1	0.1	1
ZMM5V6	C5V6	5.6	5.2	6.0	5.0	25	450	1	0.1	1
ZMM6V2	C6V2	6.2	5.8	6.6	5.0	10	200	1	0.1	2
ZMM6V8	C6V8	6.8	6.4	7.2	5.0	8	150	1	0.1	3
ZMM7V5	C7V5	7.5	7.0	7.9	5.0	7	50	1	0.1	5
ZMM8V2	C8V2	8.2	7.7	8.7	5.0	7	50	1	0.1	6
ZMM9V1	C9V1	9.1	8.5	9.6	5.0	10	50	1	0.1	7
ZMM10	C10V	10	9.4	10.6	5.0	15	70	1	0.1	7.5
ZMM11	C11V	11	10.4	11.6	5.0	20	70	1	0.1	8.5
ZMM12	C12V	12	11.4	12.7	5.0	20	90	1	0.1	9
ZMM13	C13V	13	12.4	14.1	5.0	26	110	1	0.1	10
ZMM15	C15V	15	13.8	15.6	5.0	30	110	1	0.1	11
ZMM16	C16V	16	15.3	17.1	5.0	40	170	1	0.1	12
ZMM18	C18V	18	16.8	19.1	5.0	50	170	1	0.1	14
ZMM20	C20V	20	18.8	21.2	5.0	55	220	1	0.1	15
ZMM22	C22V	22	20.8	23.3	5.0	55	220	1	0.1	17
ZMM24	C24V	24	22.8	25.6	5.0	80	220	1	0.1	18
ZMM27	C27V	27	25.1	28.9	5.0	80	220	1	0.1	20
ZMM30	C30V	30	28	32	5.0	80	220	1	0.1	22
ZMM33	C33V	33	31	35	5.0	80	220	1	0.1	24
ZMM36	C36V	36	34	38	5.0	80	220	1	0.1	27
ZMM39	C39V	39	37	41	2.5	90	500	1	0.1	30
ZMM43	C43V	43	40	46	2.5	90	600	1	0.1	33

500mW Surface Mount Zener Diodes

ZMM2V4 - ZMM100

P/N	Marking Code	Normal Zener Voltage				Max. Zener impedance			Max. reverse leakage current	
		Vz @ IZT				ZZT @ IZT	Zzk @ Izk		ID @ VR	
		Nom.(V)	Min. (V)	Max. (V)	IZT (mA)	Ω	Ω	mA	μA	VR (V)
ZMM47	C47V	47	44	50	2.5	110	700	1	0.1	36
ZMM51	C51V	51	48	54	2.5	125	700	0.5	0.1	39
ZMM56	C56V	56	52	60	2.5	135	1000	0.5	0.1	43
ZMM62	C62V	62	58	66	2.5	150	1000	0.5	0.1	47
ZMM68	C68V	68	64	72	2.5	200	1000	0.5	0.1	51
ZMM75	C75V	75	70	79	2.5	250	1500	0.5	0.1	56
ZMM82	C82V	82	77	87	2.5	300	2000	0.5	0.1	62
ZMM91	C91V	91	85	96	1.0	450	5000	0.1	0.1	68
ZMM100	C100	100	94	106	1.0	450	5000	0.1	0.1	75

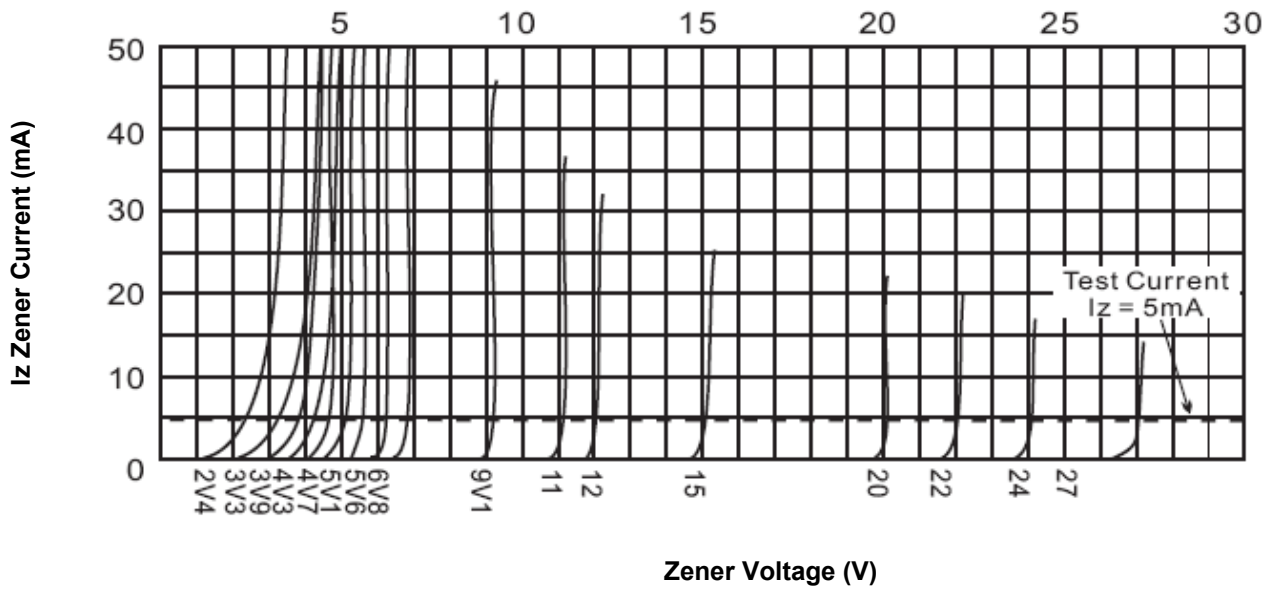
Characteristics Curves



500mW Surface Mount Zener Diodes

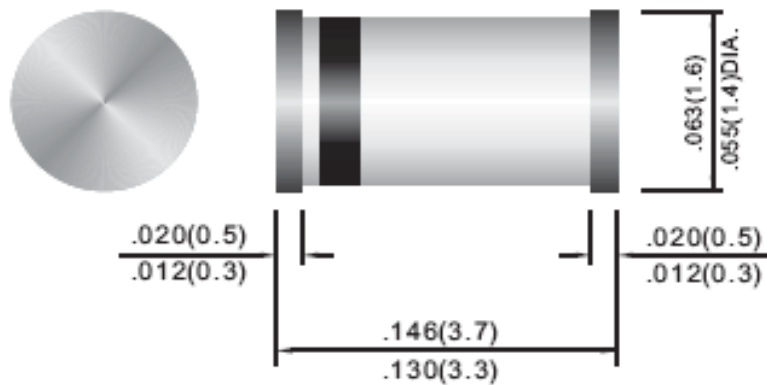
ZMM2V4 - ZMM100

Fig.2 Breakdown Characteristics



Dimensions in inches (mm)

MiniMelf



500mW Surface Mount Zener Diodes

ZMM2V4 - ZMM100

How to contact us:

US HEADQUARTERS

28040 WEST HARRISON PARKWAY, VALENCIA, CA 91355-4162

Tel: (800) TAITRON (800) 824-8766 (661) 257-6060

Fax: (800) TAITFAX (800) 824-8329 (661) 257-6415

Email: taitron@taitroncomponents.com

Http://www.taitroncomponents.com

TAITRON COMPONENTS MEXICO, S.A .DE C.V.

BOULEVARD CENTRAL 5000 INTERIOR 5 PARQUE INDUSTRIAL ATITALAQUIA, HIDALGO C.P.
42970 MEXICO

Tel: +52-55-5560-1519

Fax: +52-55-5560-2190

TAITRON COMPONETS INCORPORATED E REPRESENTAÇÕES DO BRASIL LTDA

RUA DOMINGOS DE MORAIS, 2777, 2.ANDAR, SALA 24 SAÚDE - SÃO PAULO-SP 04035-001
BRAZIL

Tel: +55-11-5574-7949

Fax: +55-11-5572-0052

TAITRON COMPONETS INCORPORATED, SHANGHAI REPRESENTATIVE OFFICE

METROBANK PLAZA, 1160 WEST YAN' AN ROAD, SUITE 1503, SHANGHAI, 200052, CHINA

Tel: +86-21-5424-9942

Fax: +86-21-5424-9931