

***THIS DOCUMENT IS FOR MAINTENANCE  
PURPOSES ONLY AND IS NOT  
RECOMMENDED FOR NEW DESIGNS***

# ZN423

## PRECISION VOLTAGE REFERENCE SOURCE

The ZN423 is a monolithic integrated circuit using the energy bandgap voltage of a base-emitter junction to produce a precise, stable, reference source of 1.26V. This is derived via an external dropping resistor for supply voltages of 1.5V upwards. The temperature coefficient of the ZN423, unlike conventional Zener diodes, remains constant with reference current. The noise figure associated with breakdown mechanisms is also considerably reduced.

### FEATURES

- Low Voltage
- Low Temperature Coefficient
- Very Good Long Term Stability
- Low Slope Resistance
- Low RMS Noise
- Tight Tolerance
- High Power Supply Rejection Ratio
- 2-Lead TO-18 Metal Can Package

### ABSOLUTE MAXIMUM RATINGS

Reference current,  $I_{REF}$  20mA  
 Operating temperature range: -55°C to +125°C  
 Storage temperature range: -65°C to +165°C

### ORDERING INFORMATION

Device Type	Operating Temperature	Package
ZN423	-55°C to +125°C	CM2

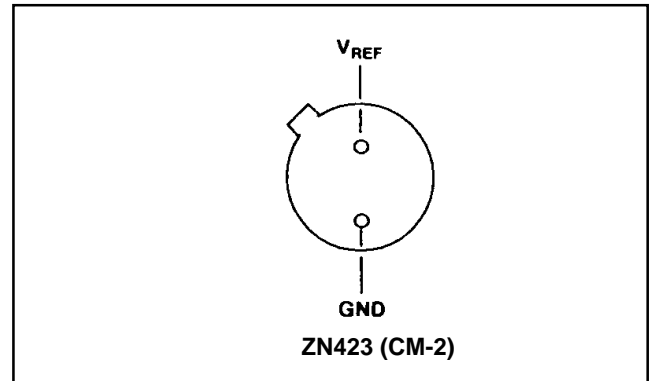


Fig.1 Pin connections (bottom view)

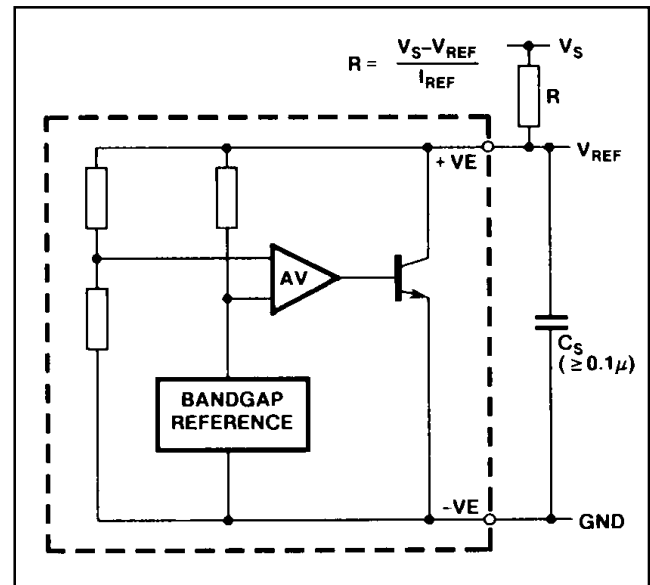


Fig.2 Circuit diagram

### ELECTRICAL CHARACTERISTICS

Test conditions (unless otherwise stated):  
 $T_{amb} = 25^\circ\text{C}$ , Shaping capacitor,  $C_S = 0.1\mu\text{F}$

Characteristic	Symbol	Value			Unit	Conditions
		Min.	Typ.	Max.		
Output voltage	$V_{REF}$	1.2	1.26	1.32	V	$I_{REF} = 5\text{mA}$
Slope resistance	$R_{REF}$		0.5	1.5	$\Omega$	
Reference current	$I_{REF}$	1.5		12	mA	
Temperature coefficient			30		ppm/°C	
External resistor	$R_{EXT}$	100			$\Omega$	$R_{EXT} = (V_{CC} - V_{REF}) / I_{REF}$
RMS noise voltage			6		$\mu\text{V}$	1Hz to 10kHz
Power supply ratio	$P_{SRR}$		60		dB	$P_{SRR} = R_{EXT} / R_{REF}$ , $V_{REF} = 1.26\text{V}$ , $I_{REF} = 2.5\text{mA}$ , $V_{CC} = 5.0\text{V}$

# ZN423

Reference current  $I_{REF}$  (max.) v operating temperature.

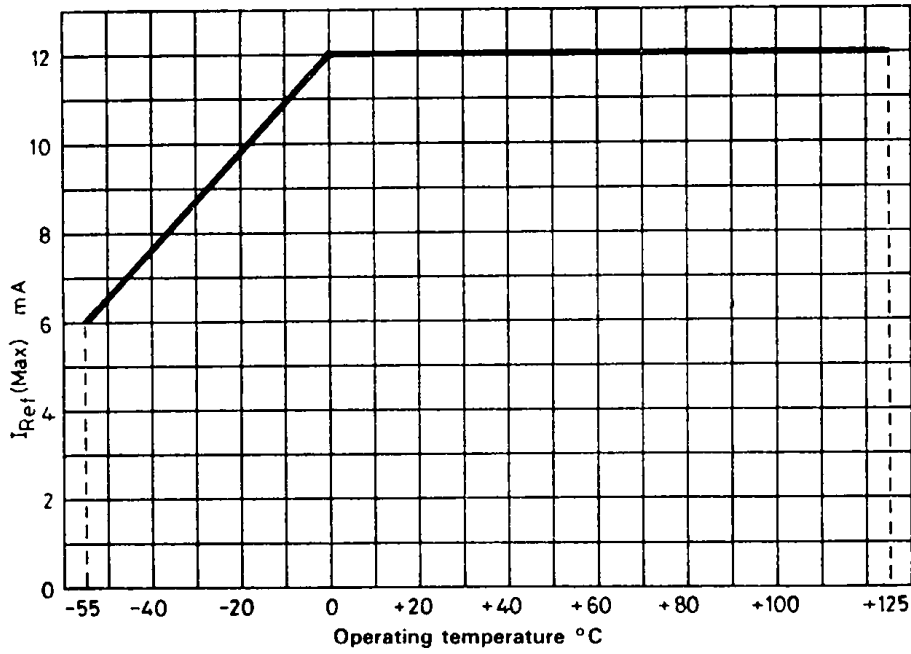


Fig.3 Derating curve

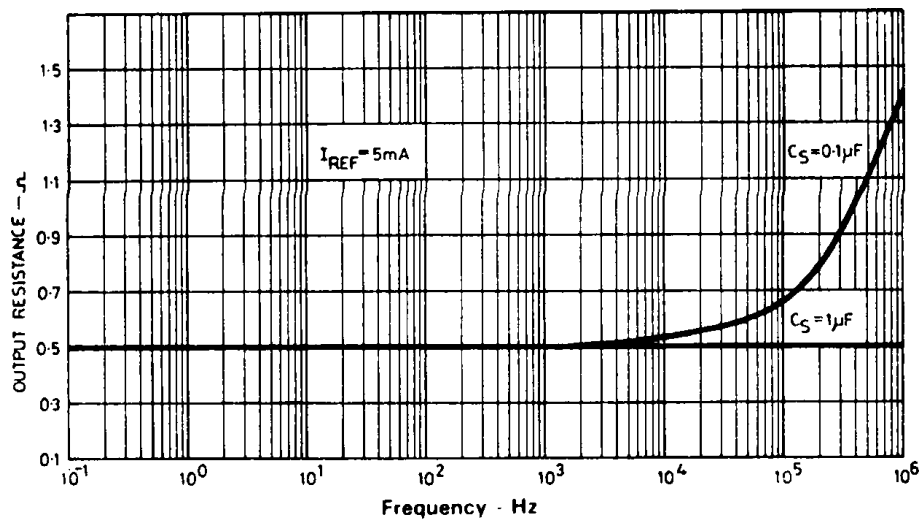


Fig.4 Slope resistance v frequency ( $I_{REF} = 5\text{mA}$ )

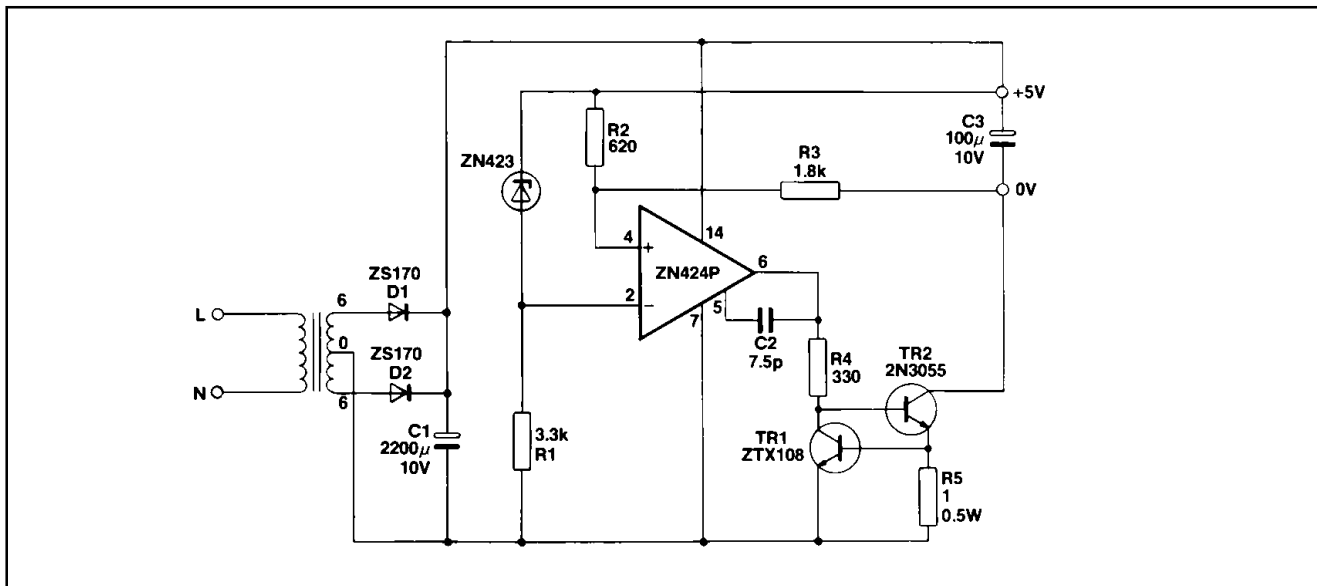


Fig.5 5V, 0.5A power supply

**APPLICATIONS**

**5V, 0.5A Power Supply**

The circuit shown in Fig.5 is essentially a constant current source modified by the feedback components R2 and R3 to give a constant voltage output.

The output of the ZN424P need only be 2V above the negative rail, by placing the load in the collector of the output transistor TR2. Current control is achieved by TR1 and R5. The simple circuit has the following performance characteristics:

- Output noise and ripple (full load) = 1mV rms
- Load regulation (0 to 0.5A) = 0.1%
- Temperature coefficient = ±100ppm/°C
- Current limit = 0.65A

**5V, 1.0A Power Supply**

The circuit detailed in Fig.6 provides improved performance over that in Fig.5. This is achieved by feeding the ZN423 reference and the ZN424P error amplifier from a more stable source, derived from the emitter-follower stage (TR1). The supply rejection ratio is improved by the factor R1/R5, where R5 is the slope resistance of the ZN423.

The output voltage is given by:

$$\frac{(R3 + R4)}{R3} V_{REF}$$

and may be adjusted by replacing R3 with a 220 and a 500Ω preset potentiometer.

The output is protected against short circuits by TR2 setting a current limit of 1.6A.

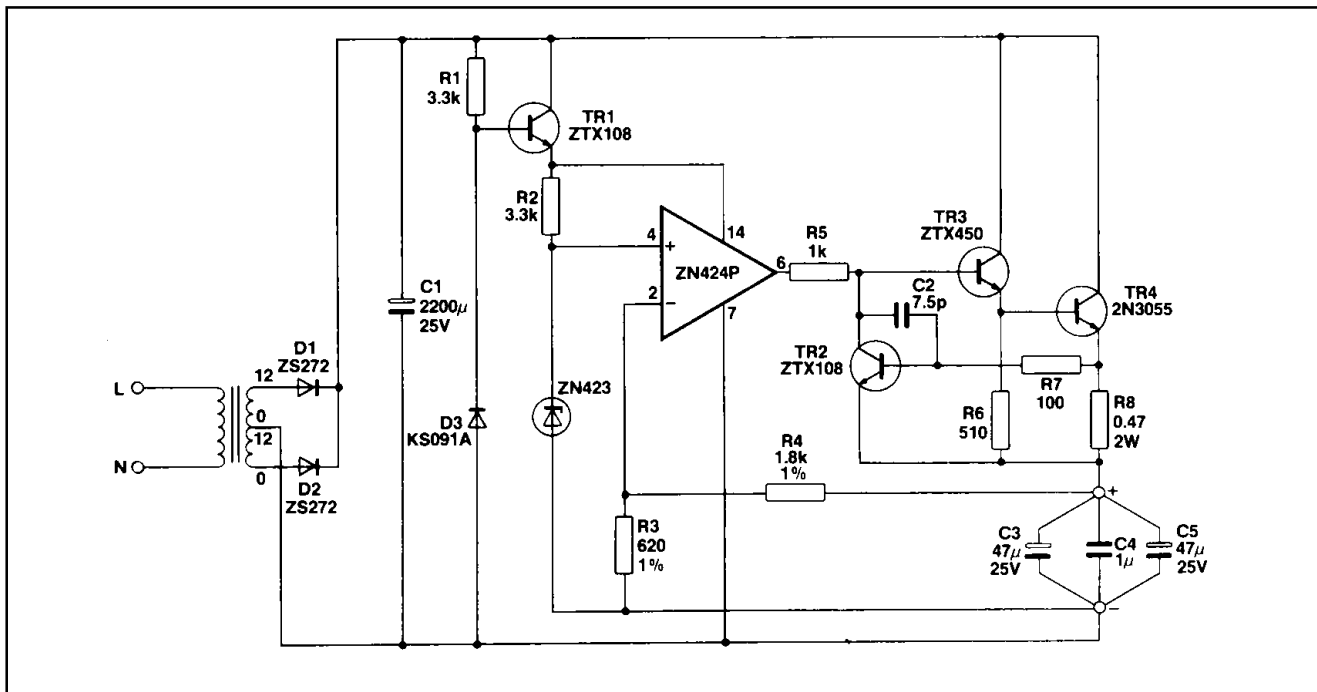


Fig.6 5V, 1.0A power supply

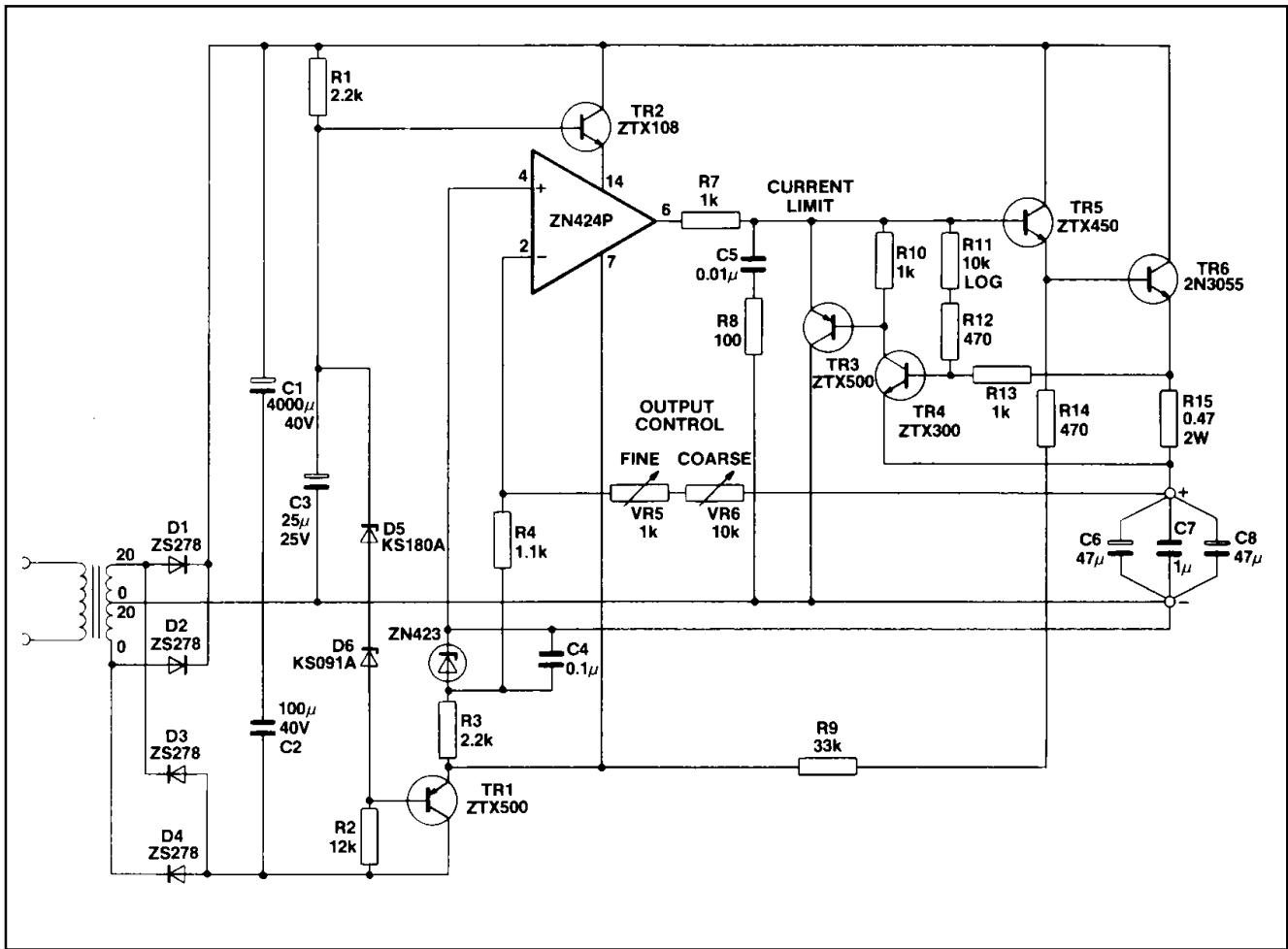


Fig.7 0V to 12V, 1A power supply

**0V to 12V, 1A Power Supply**

The circuit of Fig.7 provides a continuously variable, highly stable voltage for load currents up to 1A. The output voltage is given by:

$$V_o = \frac{(VR5 + VR6)}{R4} V_{REF}$$

and is controlled by VR5 and VR6 which should be high quality components (preferably wire wound).

The emitter follower stages TR1 and TR2 buffer the bias and reference from the output stages. The negative rail allows the output to operate down to 0V.

The current limit stage monitors output current through R15. As the potential across R15 increases due to load current, TR4 conducts and supplies base current for TR3, thus diverting part of the output from the ZN424P via TR3 to TR5.

Shaping is achieved by the network C5, R8 together with the output decoupling capacitors which also maintain

low output resistance at frequencies above 100kHz.

The power supply has the following performance characteristics:

- Output noise and ripple (full load) <100µV rms
- Output resistance (0 to 1A) 1MΩ
- Temperature coefficient ± 100ppm/°C

**Variable 100mA to 2A Current Source**

In the circuit of Fig.8 the output current is set by the resistor R in the collector of TR2, which may be switched to offer a range of output currents from 100mA to 2A with fine control by means of VR3 which varies the reference voltage to the non-inverting input of the ZN424P.

The feedback path from the output to the inverting input of the ZN424P maintains a constant voltage across R, equal to  $(V_{CC} - V_{IN})$  and hence a constant current to the load given by  $(V_{CC} - V_{IN})/R$ .





HEADQUARTERS OPERATIONS  
**GEC PLESSEY SEMICONDUCTORS**  
Cheney Manor, Swindon,  
Wiltshire SN2 2QW, United Kingdom.  
Tel: (0793) 518000  
Fax: (0793) 518411

**GEC PLESSEY SEMICONDUCTORS**  
P.O. Box 660017  
1500 Green Hills Road,  
Scotts Valley, California 95067-0017,  
United States of America.  
Tel: (408) 438 2900  
Fax: (408) 438 5576

CUSTOMER SERVICE CENTRES

- **FRANCE & BENELUX** Les Ulis Cedex Tel: (1) 64 46 23 45 Fax : (1) 64 46 06 07
- **GERMANY** Munich Tel: (089) 3609 06-0 Fax : (089) 3609 06-55
- **ITALY** Milan Tel: (02) 66040867 Fax: (02) 66040993
- **JAPAN** Tokyo Tel: (03) 5276-5501 Fax: (03) 5276-5510
- **NORTH AMERICA** Scotts Valley, USA Tel (408) 438 2900 Fax: (408) 438 7023.
- **SOUTH EAST ASIA** Singapore Tel: (65) 3827708 Fax: (65) 3828872
- **SWEDEN** Stockholm, Tel: 46 8 702 97 70 Fax: 46 8 640 47 36
- **UK, EIRE, DENMARK, FINLAND & NORWAY**  
Swindon Tel: (0793) 518510 Fax : (0793) 518582

These are supported by Agents and Distributors in major countries world-wide.

© GEC Plessey Semiconductors 1994 Publication No. DS2347 Issue No. 3.0 May 1994

This publication is issued to provide information only which (unless agreed by the Company in writing) may not be used, applied or reproduced for any purpose nor form part of any order or contract nor to be regarded as a representation relating to the products or services concerned. No warranty or guarantee express or implied is made regarding the capability, performance or suitability of any product or service. The Company reserves the right to alter without prior knowledge the specification, design or price of any product or service. Information concerning possible methods of use is provided as a guide only and does not constitute any guarantee that such methods of use will be satisfactory in a specific piece of equipment. It is the user's responsibility to fully determine the performance and suitability of any equipment using such information and to ensure that any publication or data used is up to date and has not been superseded. These products are not suitable for use in any medical products whose failure to perform may result in significant injury or death to the user. All products and materials are sold and services provided subject to the Company's conditions of sale, which are available on request.



**For more information about all Zarlink products  
visit our Web Site at  
[www.zarlink.com](http://www.zarlink.com)**

Information relating to products and services furnished herein by Zarlink Semiconductor Inc. trading as Zarlink Semiconductor or its subsidiaries (collectively "Zarlink") is believed to be reliable. However, Zarlink assumes no liability for errors that may appear in this publication, or for liability otherwise arising from the application or use of any such information, product or service or for any infringement of patents or other intellectual property rights owned by third parties which may result from such application or use. Neither the supply of such information or purchase of product or service conveys any license, either express or implied, under patents or other intellectual property rights owned by Zarlink or licensed from third parties by Zarlink, whatsoever. Purchasers of products are also hereby notified that the use of product in certain ways or in combination with Zarlink, or non-Zarlink furnished goods or services may infringe patents or other intellectual property rights owned by Zarlink.

This publication is issued to provide information only and (unless agreed by Zarlink in writing) may not be used, applied or reproduced for any purpose nor form part of any order or contract nor to be regarded as a representation relating to the products or services concerned. The products, their specifications, services and other information appearing in this publication are subject to change by Zarlink without notice. No warranty or guarantee express or implied is made regarding the capability, performance or suitability of any product or service. Information concerning possible methods of use is provided as a guide only and does not constitute any guarantee that such methods of use will be satisfactory in a specific piece of equipment. It is the user's responsibility to fully determine the performance and suitability of any equipment using such information and to ensure that any publication or data used is up to date and has not been superseded. Manufacturing does not necessarily include testing of all functions or parameters. These products are not suitable for use in any medical products whose failure to perform may result in significant injury or death to the user. All products and materials are sold and services provided subject to Zarlink's conditions of sale which are available on request.

Purchase of Zarlink's I<sup>2</sup>C components conveys a licence under the Philips I<sup>2</sup>C Patent rights to use these components in an I<sup>2</sup>C System, provided that the system conforms to the I<sup>2</sup>C Standard Specification as defined by Philips.

Zarlink, ZL and the Zarlink Semiconductor logo are trademarks of Zarlink Semiconductor Inc.

Copyright 2003, Zarlink Semiconductor Inc. All Rights Reserved.

**TECHNICAL DOCUMENTATION - NOT FOR RESALE**

---