

10-Bit Tracking Monolithic A/D Converter

FEATURES

- 10, 9 and 8-Bit Accuracies
- 3 Operating Temperature Ranges
- 1 μ s Conversion Time (Assuming Continuous Tracking)
- Input Range as Desired
- $\pm 5V$ Supplies, TTL/CMOS Compatible
- Parallel and Serial Outputs
- Bipolar Monolithic Construction

DESCRIPTION

The ZN433 range of tracking analogue to digital converters combines several innovations to provide this function on a fully monolithic silicon integrated circuit. The chip contains a current switching array using a matrix of diffused resistors (no trim required), tracking logic with TTL interfacing, 2.5V precision voltage reference with reference amplifier, and fast window comparator with good overload recovery. At a resolution appropriate to the accuracy specification, no missing codes are obtained over the full temperature range.

The tracking principle ensures continuous up to date conversion data. This is suitable for single channel conversion, e.g. digital transducers, and often obviates the need for sample and hold.

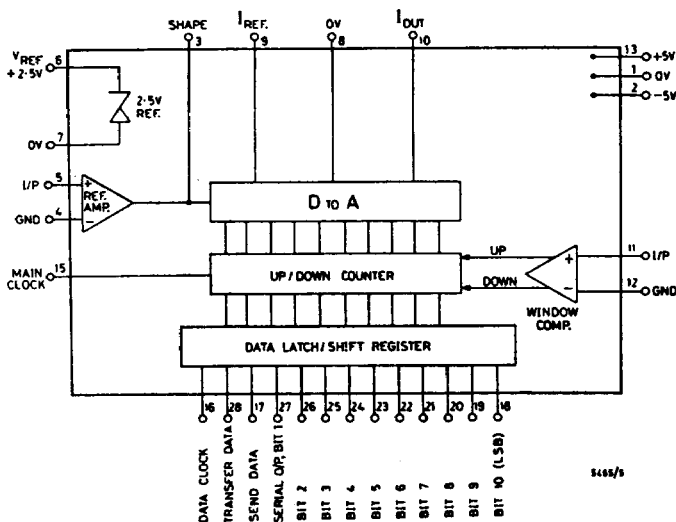


Fig. 1 - SYSTEM DIAGRAM

ZN433 Series

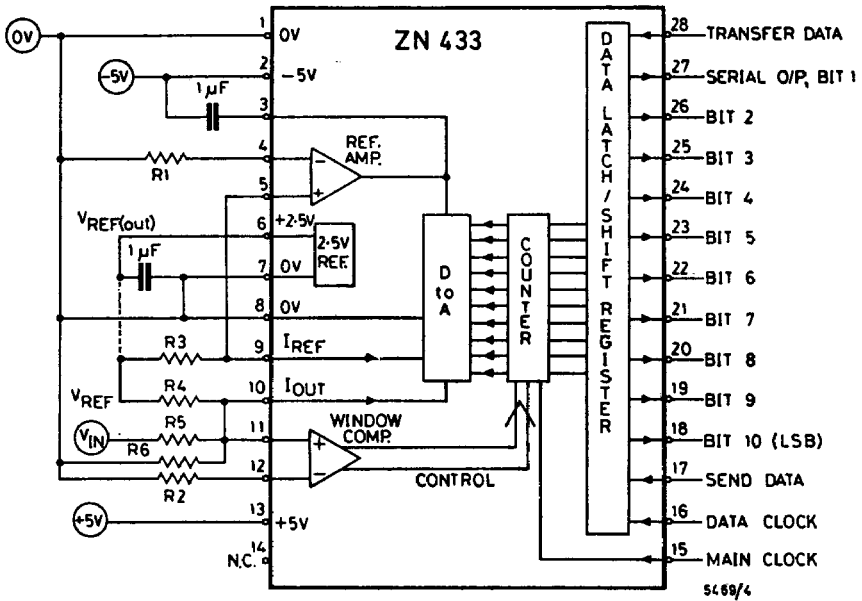


Fig. 2 – TYPICAL EXTERNAL COMPONENTS

See page 7 for calculation of resistor values. When the internal reference is used, $V_{REF(out)}$ (pin 6) is connected to R3 and R4 as shown. An external reference may also be used, which for ratiometric operation can vary by $\pm 20\%$ of nominal.

ORDERING INFORMATION

Operating Temperature	10-bit accuracy	9-bit accuracy	8-bit accuracy	Package
-55 to +125°C	ZN433J-10	ZN433J-9	ZN433J-8	Ceramic
-40 to +85°C	ZN433BJ-10	ZN433BJ-9	ZN433BJ-8	Ceramic
0 to +70°C	ZN433CJ-10	ZN433CJ-9	ZN433CJ-8	Ceramic

ZN433 Series

ABSOLUTE MAXIMUM RATINGS

Supply Voltages	± 7 volts
Logic Input Voltage	$+V_{CC}$ and 0V
Storage Temperature Range	-55°C to $+125^{\circ}\text{C}$

CHARACTERISTICS (at $\pm 5\text{V}$ supplies and internal reference unless otherwise specified).

Parameter	Version	$T_{\text{amb}} = +25^{\circ}\text{C}$			Over Spec. Temp. Range		Units	Conds.
		Min.	Typ.	Max.	Min.	Max.		
CONVERTER								
Accuracy (useful resolution)	ZN433J-10 ZN433BJ-10 ZN433CJ-10	10			10		Bits	Note 1
	ZN433J-9 ZN433BJ-9 ZN433CJ-9	9			9		Bits	
	ZN433J-8 ZN433BJ-8 ZN433CJ-8	8			8		Bits	
Non-linearity	All types			± 0.5			LSB	
Differential non-linearity	All types		± 0.5				LSB	Note 1
Operating temp. range	ZN433J-10 ZN433J-9 ZN433J-8				-55	+125	$^{\circ}\text{C}$	
	ZN433BJ-10 ZN433BJ-9 ZN433BJ-8				-40	+85	$^{\circ}\text{C}$	
	ZN433CJ-10 ZN433CJ-9 ZN433CJ-8				0	+70	$^{\circ}\text{C}$	
D to A reference current, I_{REF} (pin 9)	All types	0.8		1.2	0.8	1.2	mA	Note 2
Max. Clock Rate	All types	1	1.2		1		MHz	Note 3
Nominal analogue input range	All types	-2.5		+2.5			V	Note 4
Supply rejection	All types		0.1				% per V	

ZN433 Series

CHARACTERISTICS (continued)

Parameter	Version	$T_{amb} = +25^{\circ}\text{C}$			Over Spec. Temp. Range		Units	Conds.
		Min.	Typ.	Max.	Min.	Max.		
Gain temperature coefficient (Note 5)	ZN433J-10 } ZN433BJ-10 } ZN433CJ-10 }		10				ppm/ $^{\circ}\text{C}$	
	ZN433J-9 } ZN433BJ-9 } ZN433CJ-9 } ZN433J-8 } ZN433BJ-8 } ZN433CJ-8 }		20				ppm/ $^{\circ}\text{C}$	
Zero temperature coefficient	ZN433J-10 } ZN433BJ-10 } ZN433CJ-10 }		7				ppm/ $^{\circ}\text{C}$ of FSR	
	ZN433J-9 } ZN433BJ-9 } ZN433CJ-9 } ZN433J-8 } ZN433BJ-8 } ZN433CJ-8 }		15				ppm/ $^{\circ}\text{C}$ of FSR	
Supply voltage	All types	± 4.5	± 5	± 5.5	± 4.5	± 5.5	V	
Supply current	All types		50				mA	
Power consumption	All types		500				mW	
INTERNAL VOLTAGE REFERENCE Output voltage	All types		2.480				V	
Output voltage tolerance (Note 6)	ZN433J-10 } ZN433BJ-10 } ZN433CJ-10 }			± 1.5			%	
	ZN433J-9 } ZN433BJ-9 } ZN433CJ-9 }			± 2.0			%	
	ZN433J-8 } ZN433BJ-8 } ZN433CJ-8 }			± 5.0			%	
Slope impedance	All types		0.75				Ω	
Maximum reference load current			± 4				mA	

ZN433 Series

CHARACTERISTICS (continued)

Parameter	Version	$T_{amb} = +25^{\circ}\text{C}$			Over Spec. Temp. Range		Units	Conditions
		Min.	Typ.	Max.	Min.	Max.		
LOGIC	All types							
High level input voltage		2.0			2.0		V	
Low level input voltage					0.8	0.8	V	
High level input current				7			μA	$V_S = \pm 5.5\text{V}$ $V_I = 2.4\text{V}$
				50			μA	
Low level input current				1			μA	$V_S = \pm 5.5\text{V}$ $V_I = 0.4\text{V}$
High level output voltage			2.4			2.4	V	$I_{load} = -40 \mu\text{A}$
Low level output voltage				0.4	0.4	V	$I_{load} = 1.6 \text{ mA}$	

NOTE 1. No missing codes over full temperature range at resolution appropriate to accuracy.

NOTE 2. The full scale D to A output current $I_{out} = 4$ times I_{REF} . For optimum performance $I_{REF} = 1.0 \text{ mA}$.

NOTE 3. For main clock waveform see Fig. 5, page 8. Input signals which do not change by more than $1 \text{ LSB}/\mu\text{s}$ may be tracked continuously without the need for a sample and hold. This corresponds to a full scale bandwidth of 300 Hz . Higher frequencies may be tracked if the amplitude is reduced, e.g. the half full scale bandwidth is 600 Hz .

NOTE 4. Single polarity and other input ranges may be provided by different input resistor values (see page 7).

NOTE 5. Excluding reference.

NOTE 6. For typical temperature performance see Fig. 6, page 9.

ZN433 Series

TEST CIRCUIT

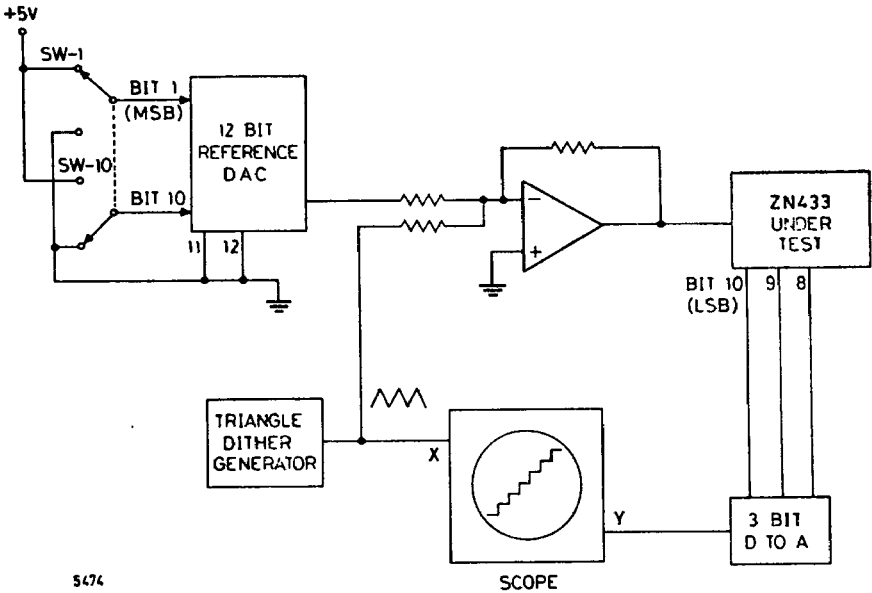


Fig. 3 – DYNAMIC CROSSPLOT ACCURACY TEST

Switches SW-1 to SW-10 are set to the appropriate digital code to select the point on the characteristic to be displayed. For example, code 10000 00000 would select half full scale, i.e. the major transition.

The output from the dither generator (suggested peak to peak amplitude = $\pm 4 \times \text{L.S.B.}$) is used as the X deflection for the scope and is also superimposed on the analogue output from the reference D.A.C. in the summing amplifier. The resulting analogue signal including dither is used as V_{IN} for the ZN433 under test.

Bit 10, 9 and 8 outputs are fed to the inputs of a 3 bit D.A.C. of at least 6 bit accuracy and the analogue output used as the Y deflection for the scope. Differential non-linearity is shown by horizontal lines which are longer or shorter than the rest.

CALCULATION OF EXTERNAL RESISTORS (See Fig. 2, page 2).

1. R_3, R_4, R_5 can affect gain and offset stability and thus require to be of high quality.
2. R_1 and R_2 are to allow for the bias current of the reference amplifier and comparator which both operate in a virtual earth mode. Thus: $R_1 = R_3$
And $R_2 =$ parallel combination of R_4, R_5 and R_6 .
3. I_{REF} should be 1.0 mA, though it may be varied from 0.8 mA to 1.2 mA,

Therefore
$$R_3 = \frac{V_{REF}}{1.0 \text{ mA}}$$

$I_{out FS}$ is four times I_{REF} , i.e., 4 mA (I_{out} for zero reading is 0 mA).

4. Analysing the network yields the following:

$$R_4 = \frac{-V_{REF} R_5}{V_{in \text{ min}}}$$

$$R_5 = \frac{V_{in \text{ max}} - V_{in \text{ min}}}{I_{out FS}}$$

Where $V_{in \text{ max}}$ is the voltage for the logic output to be all 1's.

$V_{in \text{ min}}$ is the voltage for the logic output to be all 0's.

5. R_6 should be chosen such that the parallel combination of R_4, R_5 and R_6 is about 625Ω as this determines the D to A time constant and hence conversion time.
6. The following is a table of values to give examples of the above equations.

$V_{in \text{ max}}$	$V_{in \text{ min}}$	V_{REF}	R_1^1	R_2^1	R_3	R_4	R_5	R_6^1
+2.5	-2.5	2.5	2.5 k Ω	625 Ω	2.5 k Ω	1.25 k Ω	1.25 k Ω	∞
+2.5	-2.5	5*	5 k Ω	625 Ω	5 k Ω	2.5 k Ω	1.25 k Ω	2.5 k Ω
+2.5	0	2.5	2.5 k Ω	625 Ω	2.5 k Ω	∞	625 Ω	∞
+5	0	2.5	2.5 k Ω	625 Ω	2.5 k Ω	∞	1.25 k Ω	1.25 k Ω
+4	-2	2.5	2.5 k Ω	625 Ω	2.5 k Ω	1.875 k Ω	1.5 k Ω	2.5 k Ω
+4	-2	12*	12 k Ω	625 Ω	12 k Ω	1.875 k Ω	1.5 k Ω	2.5 k Ω
+10	-10	2.5	2.5 k Ω	625 Ω	2.5 k Ω	1.25 k Ω	5 k Ω	1.67 k Ω

Note 1. Nearest preferred value may be used for R_1, R_2 and R_6

*Note 2. External reference

7. For setting up: R_4 will adjust the offset.

R_3 will adjust the gain.

For unipolar operation where R_4 approaches ∞ and a zero adjustment is required, the following offset circuit is suggested in place of R_4 (Typical values only).

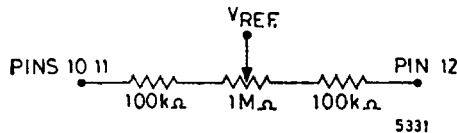


Fig. 4 – OFFSET CIRCUIT WITH UNIPOLAR OPERATION

ZN433 Series

LOGIC DETAILS

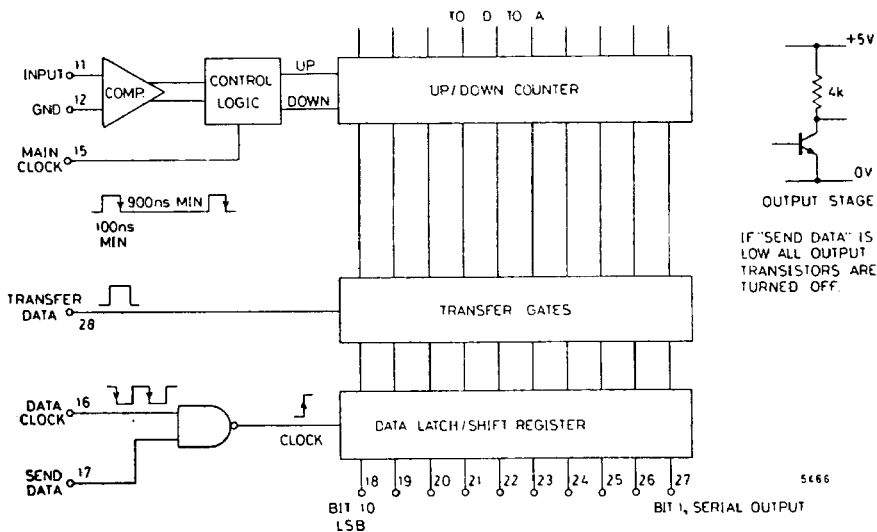


Fig. 5 – LOGIC SYSTEM

NOTES ON LOGIC DIAGRAM

1. The Window Comparator and Control Logic determine whether the Counter will clock up or down or keep the same value on an active (negative going) edge of the Main Clock.
2. Parallel data from the Up/Down Counter will be loaded into the output Data Latch/Shift Register when the TRANSFER DATA input is HIGH. TRANSFER DATA should not be taken HIGH until 150 ns after the MAIN CLOCK edge and should go LOW before the next MAIN CLOCK edge. The minimum TRANSFER DATA pulse width is 50 ns.

If TRANSFER DATA is held permanently HIGH then the Counter outputs will appear directly at the bit outputs.

3. Serial output data (MSB first) can be obtained from the MSB output (Pin 27) by applying a DATA CLOCK (Pin 16, 1 MHz maximum, 100 ns minimum pulse width).
4. A LOW on SEND DATA (Pin 17) disables the DATA CLOCK and turns off all the output transistors so that all the bit outputs are HIGH (see diagram of output).

ZN433 Series

LOGIC CODING

Table 1. Unipolar Operation

Analogue Input Notes 1, 2	Digital Output Code	
	MSB	LSB
FS -1LSB	1111111111	
FS -2LSB	1111111110	
$\frac{3}{4}$ FS	1100000000	
$\frac{1}{2}$ FS + 1LSB	1000000001	
$\frac{1}{4}$ FS	1000000000	
FS -1LSB	0111111111	
$\frac{1}{4}$ FS	0100000000	
1LSB	0000000001	
0	0000000000	

Table 2. Bipolar Operation

Analogue Input Notes 1, 2	Digital Output Code	
	MSB	LSB
+(FS -1LSB)	1111111111	
+(FS -2LSB)	1111111110	
+($\frac{1}{2}$ FS)	1100000000	
+(1LSB)	1000000001	
0	1000000000	
-(1LSB)	0111111111	
-($\frac{1}{2}$ FS)	0100000000	
-(FS -1LSB)	0000000001	
-FS	0000000000	

NOTES:

1. Analogue inputs shown are nominal centre values of code.
2. "FS" is full scale.

OFFSET AND GAIN SETTING

For unipolar, supply an input of $\frac{1}{2}$ LSB for transition 0000000000 to 0000000001, and of (full scale - $1\frac{1}{2}$ LSB) for transition 1111111111 to 1111111110.

For bipolar, supply an input of -(full scale - $\frac{1}{2}$ LSB) for transition 0000000000 to 0000000001, and of (full scale - $1\frac{1}{2}$ LSB) for transition 1111111111 to 1111111110.

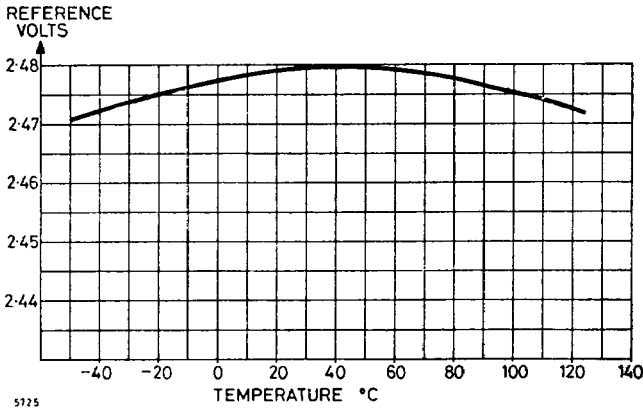
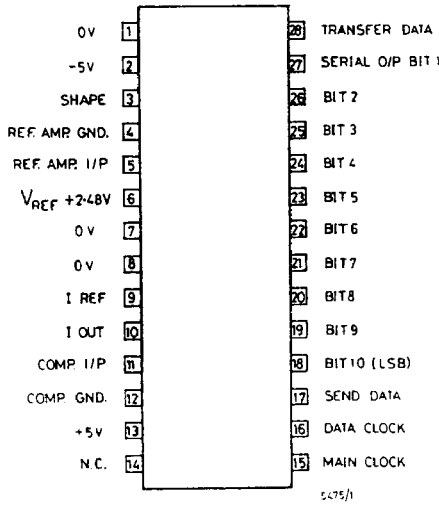


Fig. 6 - TYPICAL REFERENCE VOLTAGE v TEMPERATURE (ALL TYPES)

ZN433 Series

PIN CONNECTIONS



CHIP DIMENSIONS AND LAYOUT

