

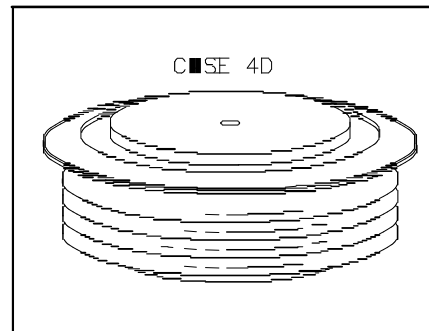
## ZP3500A 2200V

\*\*\*\*\*

### HIGH POWER FAST RECOVERY RECTIFIER

#### Features:

- . All Diffused Structure
- . Fast Switching Performance
- . Soft Reverse Recovery
- . Rugged Ceramic Hermetic Package
- . Pressure Assembled Device



### ELECTRICAL CHARACTERISTICS AND RATINGS

#### Reverse Blocking

Device Type	V <sub>RRM</sub> (1)	V <sub>RSM</sub> (1)
ZP3500A	2200	2300

V<sub>RRM</sub> = Repetitive peak reverse voltage  
 V<sub>RSM</sub> = Non repetitive peak reverse voltage (2)

Notes:  
 All ratings are specified for T<sub>j</sub>=25 °C unless otherwise stated.  
 (1) All voltage ratings are specified for an applied 50Hz/60zHz sinusoidal waveform over the temperature range -40 to +150 °C.  
 (2) 10 msec. max. pulse width  
 (3) Maximum value for T<sub>j</sub> = 150 °C.  
 (4) See parameter definition below :

Repetitive peak reverse leakage	I <sub>RRM</sub>	10 mA 75 mA (3)
---------------------------------	------------------	--------------------

#### Conducting - on state

Parameter	Symbol	Min	Max.	Typ	Units	Conditions
Average value of on-state current	I <sub>F(AV)</sub>		3500		A	Sinewave,180° conduction,T <sub>c</sub> =70°C
RMS value of on-state current	I <sub>FRMS</sub>		5400		A	Nominal value
Peak one cycle surge (non repetitive) current	I <sub>FSM</sub>		68000 60000		A A	8.3 msec (60Hz), sinusoidal wave-shape, 180° conduction, T <sub>j</sub> = 150 °C 10.0 msec (50Hz), sinusoidal wave-shape, 180° conduction, T <sub>j</sub> = 150 °C
I square t	I <sup>2</sup> t		1.3x10 <sup>6</sup>		A <sup>2</sup> s	8.3 msec and 10 msec
Peak on-state voltage	V <sub>FM</sub>		1.50		V	I <sub>FM</sub> = 3000 A;
Reverse Recovery Current (4)	I <sub>RM(REC)</sub>				A	I <sub>FM</sub> = 1000 A; dI <sub>F</sub> /dt = 10 A/μs; T <sub>j</sub> max
Reverse Recovery Charge (4)	Q <sub>rr</sub>				μC	I <sub>FM</sub> = 1000 A; dI <sub>F</sub> /dt = 10 A/μs; T <sub>j</sub> max
Reverse Recovery Time (4)	t <sub>RR</sub>			*	μs	

\* For guaranteed maximum values, contact factory

®

Tel: +86-514-87782298, 87782296 FAX:+86-514-87782297, 87367519

E-mail : [positioning@china.com](mailto:positioning@china.com); [yzforever@vip.tom.com](mailto:yzforever@vip.tom.com); [pst@pst888.com](mailto:pst@pst888.com)

WEB SITE: <http://www.pst888.com> [www.yzpst.net](http://www.yzpst.net)

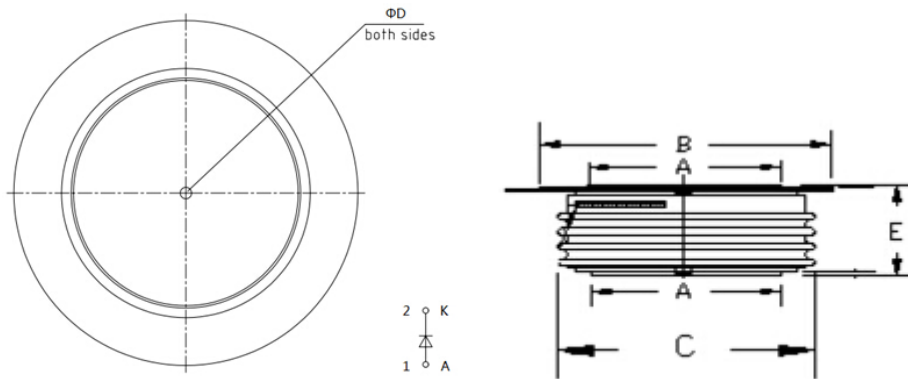


**ZP3500A**

Parameter	Symbol	Min.	Max.	Typ.	Units	Conditions
Operating temperature	$T_j$	-40	+150		°C	
Storage temperature	$T_{stg}$	-40	+150		°C	
Thermal resistance - junction to case	$R_{\theta(j-c)}$		0.023 0.046		°C/W	Double sided cooled Single sided cooled
Thermal resistance - case to sink	$R_{\theta(c-s)}$		.010 .020		°C/W	Double sided cooled * Single sided cooled *
Mounting force	P	6000	8000		lb.	
Weight	W				oz. g	

\* Mounting surfaces smooth, flat and greased

**CASE OUTLINE AND DIMENSIONS**



- A: 60 mm**
- B: 85 mm**
- C: 76 mm**
- E: 26 mm**



®

Tel: +86-514-87782298, 87782296 FAX: +86-514-87782297, 87367519

E-mail : [positioning@china.com](mailto:positioning@china.com); [yzforever@vip.tom.com](mailto:yzforever@vip.tom.com); [pst@pst888.com](mailto:pst@pst888.com)

WEB SITE: <http://www.pst888.com> [www.yzpst.net](http://www.yzpst.net)