

# Standard Rectifier-----ZP5000A/2000V

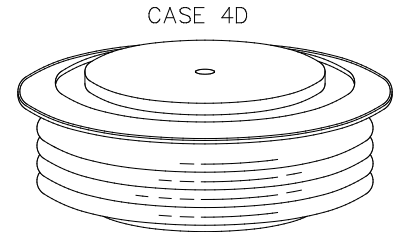
## GENERAL PURPOSE HIGH POWER STANDARD RECTIFIER

### Features:

- . All Diffused Structure
- . High Surge rating
- . Soft Reverse Recovery
- . Rugged Ceramic Hermetic Package
- . Pressure Assembled Device

### Typical Applications:

- . Rectifier for Drives Applications
- . Medium voltage converters
- . Pulsed power applications
- . Crowbar Applications



## ELECTRICAL CHARACTERISTICS AND RATINGS

### Reverse Blocking

$V_{RRM}$ (1)	$V_{RSM}$ (1)
2000	2100

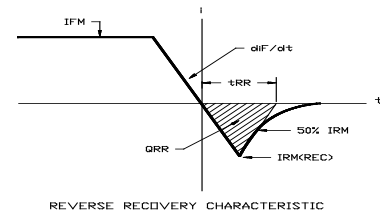
$V_{RRM}$  = Repetitive peak reverse voltage

$V_{RSM}$  = Non repetitive peak reverse voltage (2)

Repetitive peak reverse leakage	$I_{RRM}$	15 mA 100 mA
---------------------------------	-----------	-----------------

Notes:

All ratings are specified for  $T_j=25^\circ\text{C}$  unless otherwise stated.



### Conducting - on state

Parameter	Symbol	Min	Max.	Typ	Units	Conditions
Max. Average value of on-state current	$I_{F(AV)M}$		5000		A	Sinewave, 180° conduction, $T_c=100^\circ\text{C}$
RMS value of on-state current	$I_{FRMS}$		7050		A	Nominal value
Peak one cycle surge (non repetitive) current	$I_{FSM}$		62		kA	$T_j=150^\circ\text{C}$ , $V_R=0,8V_{RRM}$ , $t_p=10\text{ms}$
I square t	$I^2t$		$23 \times 10^3$		$\text{kA}^2\text{s}$	10 msec
Peak on-state voltage	$V_{FM}$		0.95		V	$I_{FM} = 2000 \text{ A}$ ; $T_j = 25^\circ\text{C}$
Reverse Recovery Current (4)	$I_{RM(REC)}$		290		A	$I_{FM} = 1000 \text{ A}$ ; $di_F/dt = 10 \text{ A}/\mu\text{s}$ , $T_j = 160^\circ\text{C}$
Reverse Recovery Charge (4)	$Q_{rr}$		-		$\mu\text{C}$	
Reverse Recovery Time (4)	$t_{RR}$		-		$\mu\text{s}$	

\* For guaranteed maximum values, contact factory

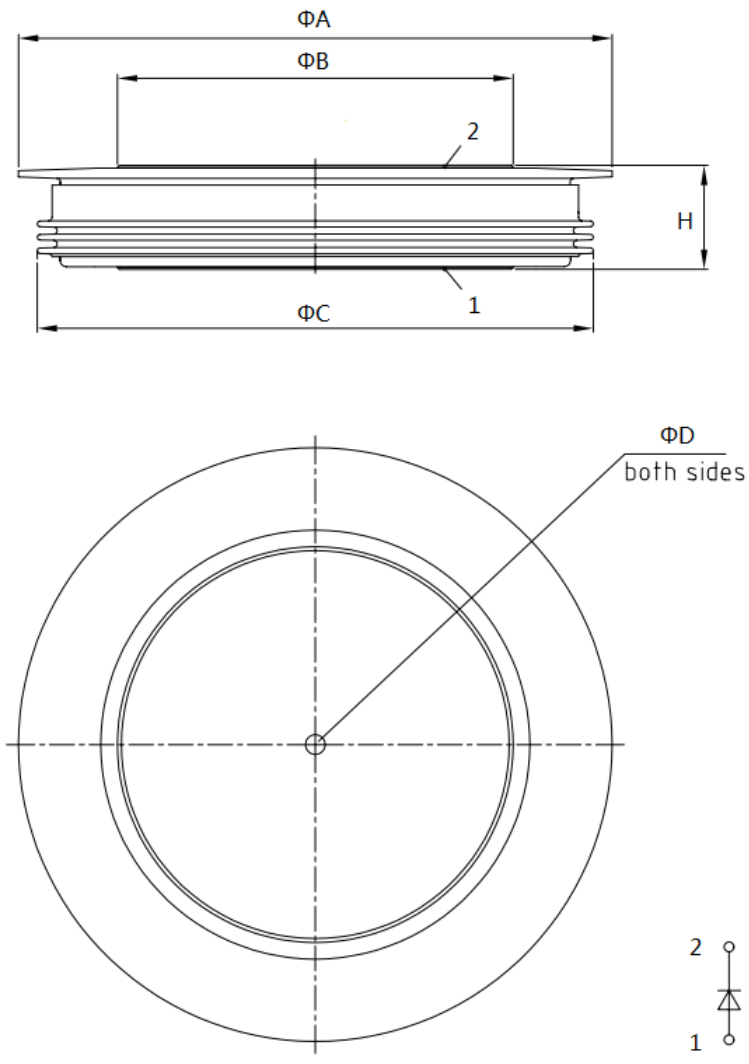
## THERMAL AND MECHANICAL CHARACTERISTICS

Parameter	Symbol	Min.	Max.	Typ.	Units	Conditions
Operating temperature	$T_j$	-55	+150		$^\circ\text{C}$	
Storage temperature	$T_{stg}$	-55	+150		$^\circ\text{C}$	

Thermal resistance - junction to case	$R_{\theta(j-c)}$		12 24		$^{\circ}\text{C}/\text{kW}$	Double sided cooled Single sided cooled
Thermal resistance - case to sink	$R_{\theta(c-s)}$		2 4		$^{\circ}\text{C}/\text{kW}$	
Mounting force	P	63	77		kN	
Weight	W				- g	

\* Mounting surfaces smooth, flat and greased

**CASE OUTLINE AND DIMENSIONS**



Sym	A	B	C	D	H
mm	118	84	110	3.5x3	35±1



Tel: +86-514-87782298, 87782296 FAX: +86-514-87782297, 87367519  
 E-mail: [positioning@china.com](mailto:positioning@china.com); [yzforever@vip.tom.com](mailto:yzforever@vip.tom.com); [pst@pst888.com](mailto:pst@pst888.com)  
 WEB SITE: <http://www.pst888.com> [www.yzpst.net](http://www.yzpst.net)