

Technical Data

PST ZP749LT

RECTIFIER DIODE

Features

- Blocking Capability up to 2500 V
- High Surge Rating
- Rugged Ceramic Hermetic Package

ELECTRICAL CHARACTERISTICS AND RATINGS

Blocking

Parameter	Symbol	Min	Max	Typ	Unit	Conditions
Repetitive peak reverse voltage	V_{RRM}		2500		V	$T_j = -40\text{ }^{\circ}\text{C}$ to $175\text{ }^{\circ}\text{C}$
Non repetitive peak reverse voltage	V_{RSM}		2600		V	$T_j = -40\text{ }^{\circ}\text{C}$ to $175\text{ }^{\circ}\text{C}$
Repetitive peak reverse current	I_{RRM}		150		mA	$T_j = T_{jmax}$, $V = V_{RRM}$

Conducting

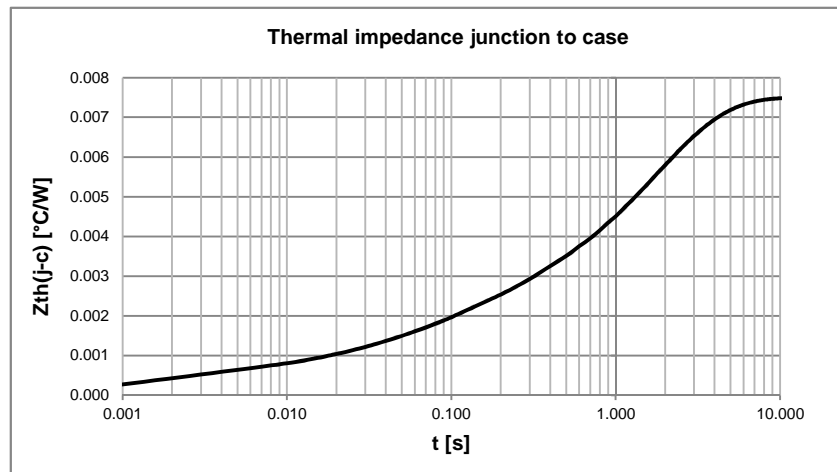
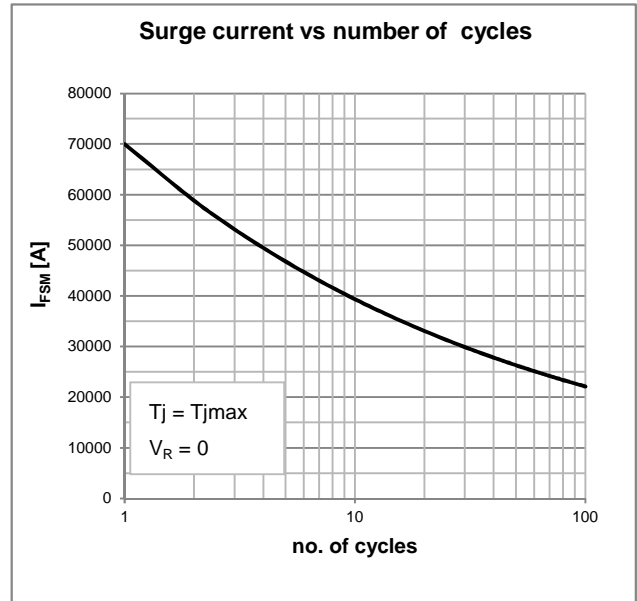
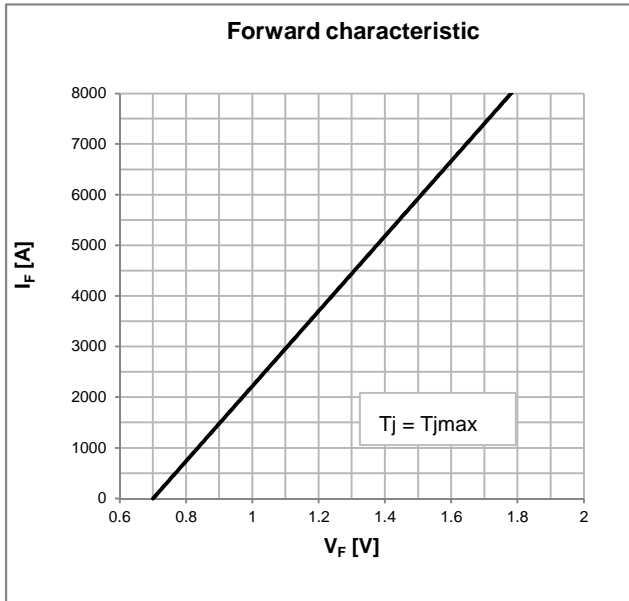
Parameter	Symbol	Min	Max	Typ	Unit	Conditions
Average value of forward current	$I_{F(AV)}$		5040		A	50 Hz sinewave, 180° conduction, $T_c = 85\text{ }^{\circ}\text{C}$
RMS value of forward current	$I_{F(RMS)}$		7900		A	50 Hz sinewave, 180° conduction, $T_c = 85\text{ }^{\circ}\text{C}$
Peak one cycle surge (non repetitive) current	I_{FSM}		70		kA	50 Hz sinewave, 180° conduction, $T_j = T_{jmax}$, $V_R = 0$
I square t	$I^2 t$		24500		kA^2s	$T_j = T_{jmax}$
Peak forward voltage	V_{FM}		1.13		V	Forward current 3200 A, $T_j = T_{jmax}$
Threshold voltage	$V_{F(TO)}$		0.7		V	$T_j = T_{jmax}$
Forward slope resistance	r_F		0.135		$\text{m}\Omega$	$T_j = T_{jmax}$

Thermal and mechanical characteristics and ratings

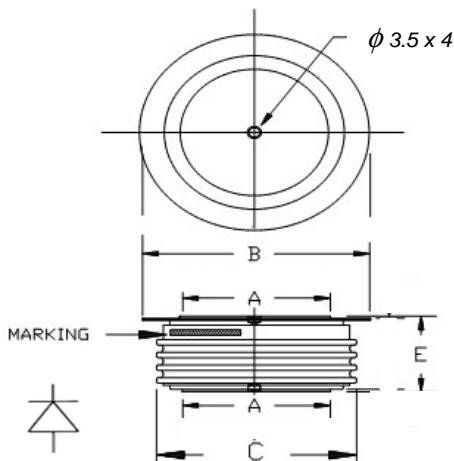
Parameter	Symbol	Min	Max	Typ	Unit	Conditions
Operating temperature	T_j	-40	175		$^{\circ}\text{C}$	
Storage temperature	T_{stg}	-40	175		$^{\circ}\text{C}$	
Thermal resistance junction to case	$R_{th(j-c)}$		0.008		$^{\circ}\text{C}/\text{W}$	Double side cooled, 180° SIN
Thermal resistance case to sink	$R_{th(c-s)}$		0.002		$^{\circ}\text{C}/\text{W}$	Mounting surfaces smooth, flat and greased
Mounting force	F	45	55		kN	
Weight	W			1150	g	

PST ZP749LT

RECTIFIER DIODE



OUTLINE AND DIMENSIONS



	A	B	C	E
mm	75	110	101	26 ± 1

- All the characteristics given in this data sheet are guaranteed only with uniform clamping force, cleaned and lubricated heatsink surfaces with flatness < 0.03 mm and roughness < 2 μ m