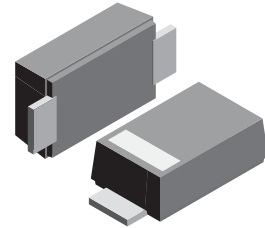


VOLTAGE RANGE: 3.0 - 200V

POWER: 1.3Watts

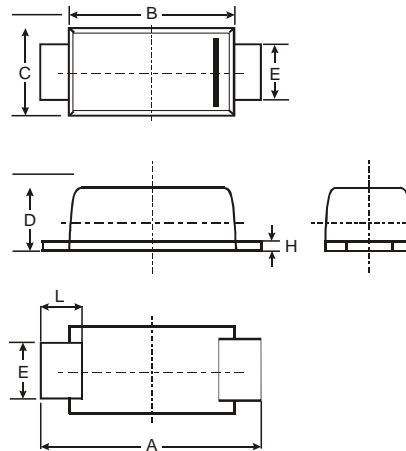


Features

- Complete Voltage Range 3.0 to 200 Volts
- High peak reverse power dissipation
- High reliability
- Low leakage current

Mechanical Data

- Case: JEDEC SOD-123FL, molded plastic over passivated chip
- Polarity: Color band denotes positive end (cathode) except for bidirectional
- Mounting position: Any
- Weight: 0.0007 ounce, 0.02 grams



SOD-123FL			
Dim	Min	Max	Typ
A	3.50	3.80	3.65
B	2.60	2.90	2.75
C	1.70	1.90	1.80
D	0.09	1.10	1.00
E	0.08	1.10	0.095
H	0.12	0.20	0.16
L	0.07	0.09	0.08
All Dimensions in mm			

Maximum Ratings

Rating at 25 °C ambient temperature unless otherwise specified

Rating	Symbol	Value	Unit
DC Power Dissipation at $T_L = 50\text{ }^\circ\text{C}$ (Note1)	PD	1.3	Watts
Maximum Forward Voltage at $I_F = 200\text{ mA}$	V _F	1.0	Volts
Maximum Thermal Resistance Junction to Ambient Air (Note2)	R _{θJA}	130	K / W
Junction Temperature Range	T _J	- 55 to + 175	°C
Storage Temperature Range	T _s	- 55 to + 175	°C

Note :

- (1) T_L = Lead temperature at 3/8 " (9.5mm) from body
- (2) Valid provided that leads are kept at ambient temperature at a distance of 10 mm from case.



ELECTRICAL CHARACTERISTICS (Rating at 25 °C ambient temperature unless otherwise specified)

TYPE	Nominal Zener Voltage		Maximum Zener Impedance			Maximum Reverse Leakage Current		Maximum DC Zener Current
	$V_Z @ I_{ZT}$	I_{ZT}	$Z_{ZT} @ I_{ZT}$	$Z_{ZK} @ I_{ZK}$	I_{ZK}	$I_R @ V_R$		I_{ZM}
	(V)	(mA)	(Ω)	(Ω)	(mA)	(μ A)	(V)	(mA)
ZPX3V0	3.0	80	20	400	1.0	100	1.0	340
ZPX3V3	3.3	80	20	400	1.0	40	1.0	320
ZPX3V6	3.6	70	20	500	1.0	20	1.0	290
ZPX3V9	3.9	60	15	500	1.0	10	1.0	280
ZPX4V3	4.3	50	13	500	1.0	3.0	1.0	250
ZPX4V7	4.7	45	13	500	1.0	3.0	1.0	215
ZPX5V1	5.1	45	10	500	1.0	1.0	1.5	200
ZPX5V6	5.6	45	7.0	400	1.0	1.0	2.0	190
ZPX6V2	6.2	35	4.0	300	1.0	1.0	3.0	170
ZPX6V8	6.8	35	3.5	300	1.0	50	4.0	155
ZPX7V5	7.5	35	3.0	200	0.5	50	4.5	140
ZPX8V2	8.2	25	5.0	200	0.5	50	6.2	130
ZPX9V1	9.1	25	5.0	200	0.5	50	6.8	120
ZPX10	10	25	7.0	200	0.5	50	7.5	105
ZPX11	11	20	8.0	300	0.5	50	8.2	97
ZPX12	12	20	9.0	350	0.5	0.5	9.1	88
ZPX13	13	20	10	400	0.5	0.5	10	79
ZPX15	15	15	15	500	0.5	0.5	11	71
ZPX16	16	15	15	500	0.5	0.5	12	66
ZPX18	18	15	20	500	0.5	0.5	13	62
ZPX19	19	15	20	550	0.5	0.5	14	58
ZPX20	20	10	24	600	0.5	0.5	15	56
ZPX22	22	10	25	600	0.5	0.5	16	52
ZPX24	24	10	25	600	0.5	0.5	18	47
ZPX27	27	8.0	30	750	0.25	0.5	20	41
ZPX30	30	8.0	30	1000	0.25	0.5	22	36
ZPX33	33	8.0	35	1000	0.25	0.5	24	33
ZPX36	36	8.0	40	1000	0.25	0.5	27	30
ZPX39	39	6.0	50	1000	0.25	0.5	30	28
ZPX43	43	6.0	50	1000	0.25	0.5	33	26
ZPX47	47	4.0	90	1500	0.25	0.5	36	23
ZPX51	51	4.0	115	1500	0.25	0.5	39	21
ZPX56	56	4.0	120	2000	0.25	0.5	43	19
ZPX62	62	4.0	125	2000	0.25	0.5	47	16
ZPX68	68	4.0	130	2000	0.25	0.5	51	15
ZPX75	75	4.0	135	2000	0.25	0.5	56	14
ZPX82	82	2.7	200	3000	0.25	0.5	62	12
ZPX91	91	2.7	250	3000	0.25	0.5	68	10
ZPX100	100	2.7	350	3000	0.25	0.5	75	9.4
ZPX110	110	2.7	450	4000	0.25	0.5	82	8.6
ZPX120	120	2.0	550	4500	0.25	0.5	91	7.8
ZPX130	130	2.0	700	5000	0.25	0.5	100	7.0
ZPX150	150	2.0	1000	6000	0.25	0.5	110	6.4
ZPX160	160	1.5	1100	6500	0.25	0.5	120	5.8
ZPX180	180	1.5	1200	7000	0.25	0.5	130	5.2
ZPX200	200	1.5	1900	9990	0.25	0.5	150	4.7

Note :

- (1) The type number listed have a standard tolerance on the nominal zener voltage $\pm 5.0\%$.