

14118 Stowe Drive, Suite B  
 Poway, CA 92064  
 TEL: (858) 621-2700 | FAX: (858) 486-1927  
 URL: www.zcomm.com  
 EMAIL: applications@zcomm.com

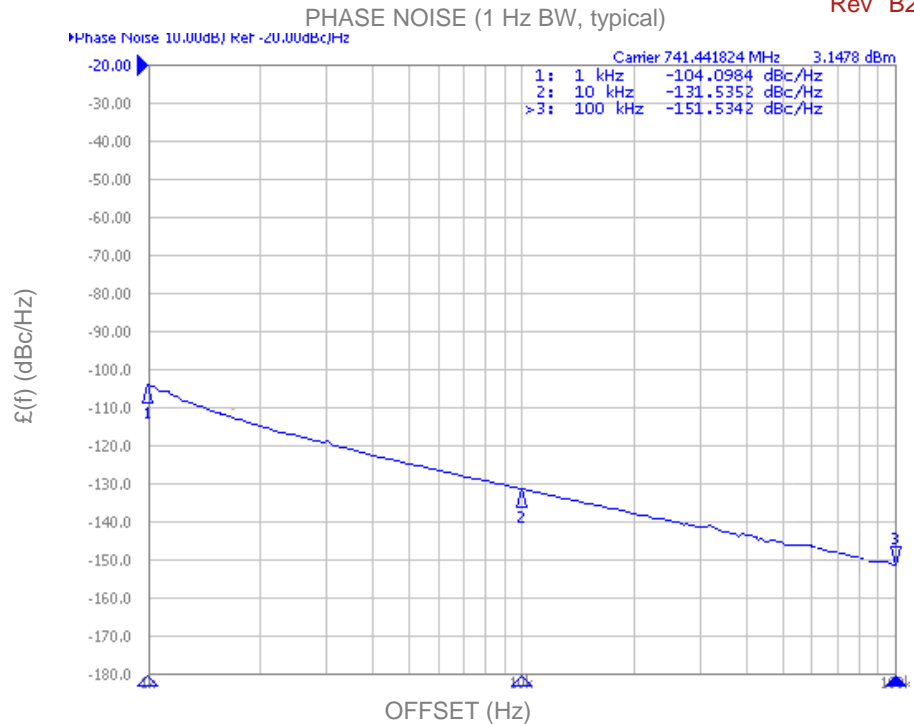
## Voltage-Controlled Oscillator Surface Mount Module

### Applications

- Digital communication systems
- Downconverters
- 

### Application Notes

- AN-101: Mounting and Grounding
- AN-102: Output Loading
- AN-107: Manual Soldering



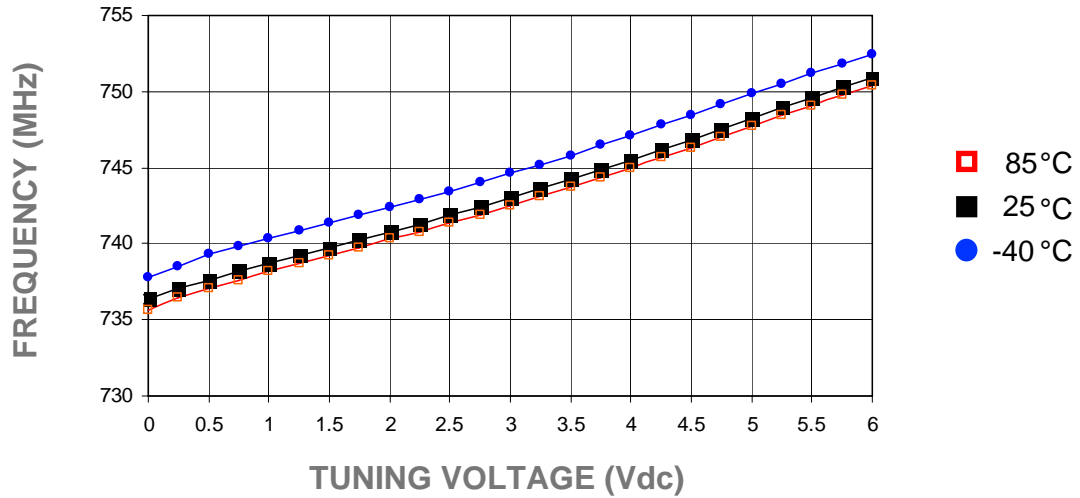
| Performance Specifications             | Min | Typ       | Max | Units              |
|--|-----|-----------|-----|--------------------|
| Oscillation Frequency Range            | 738 |           | 748 | MHz                |
| Phase Noise @ 10 kHz offset (1 Hz BW)  |     | -130      |     | dBc/Hz             |
| Harmonic Suppression (2nd)             |     | -24       | -18 | dBc                |
| Tuning Voltage                         | 0   |           | 6   | Vdc                |
| Tuning Sensitivity (avg.)              |     | 2         |     | MHz/V              |
| Power Output                           | 7   | 9         | 11  | dBm                |
| Load Impedance                         |     | 50        |     | $\Omega$           |
| Input Capacitance                      |     |           | 100 | pF                 |
| Pushing                                |     |           | .06 | MHz/V              |
| Pulling (12 dB Return Loss, Any Phase) |     |           | .3  | MHz                |
| Operating Temperature Range            | -40 |           | 85  | $^{\circ}\text{C}$ |
| Package Style                          |     | ZMX-14-SM |     |                    |

| Power Supply Requirements  | Min | Typ | Max | Units |
|----------------------------|-----|-----|-----|-------|
| Supply Voltage (Vcc, nom.) |     | 8   |     | Vdc   |
| Supply Current (Icc)       |     | 23  | 28  | mA    |

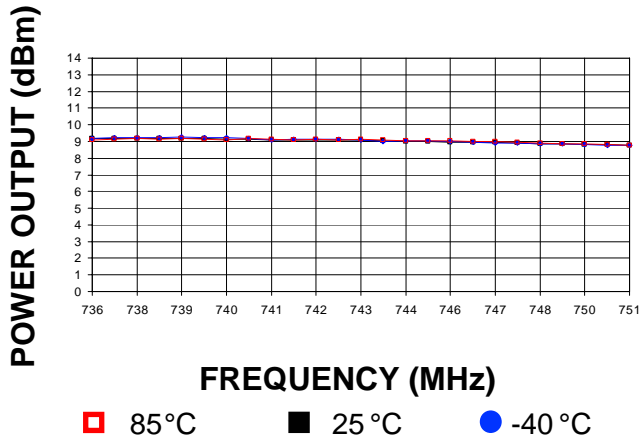
### Additional Notes

Phase Noise @ 1 kHz offset (1 Hz BW) -104 (typ) dBc/Hz  
 Phase Noise @ 100 kHz offset (1 Hz BW) -151 (typ) dBc/Hz

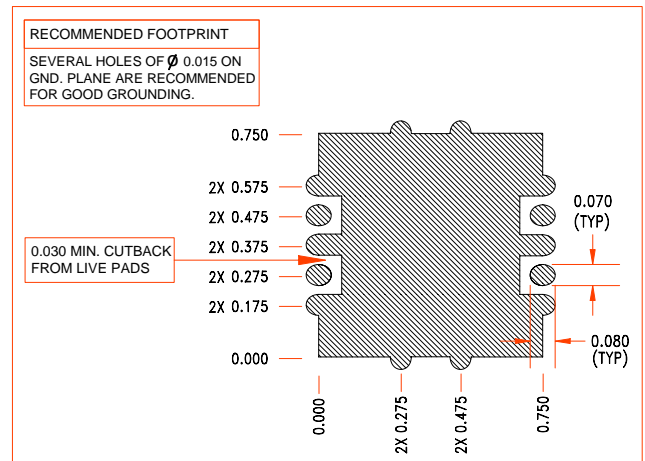
Tuning Curve, typ.



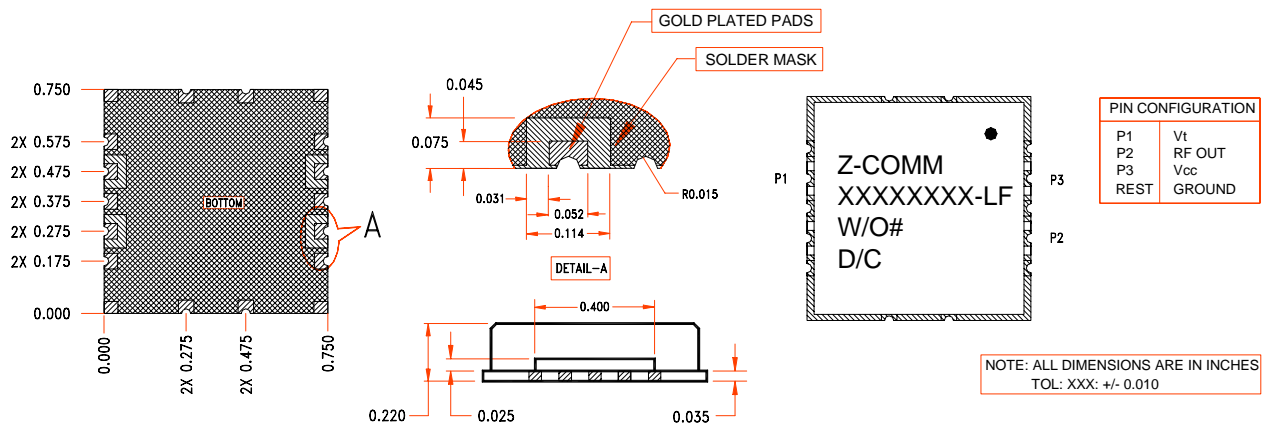
Power Curve, typ.



Footprint



Physical Dimensions



LFSuffix = RoHS Compliant. All specifications are subject to change without notice.