

# SUPPLY VOLTAGE MONITOR

ISSUE 3 – JANUARY 1998

ZSM561

## DEVICE DESCRIPTION

The ZSM561 is a three terminal under voltage monitor circuit for use in microprocessor systems. The threshold voltage of the device has been set to 4.6 volts making it ideal for 5 volt circuits.

Included in the device is a precise voltage reference and a comparator with built in hysteresis to prevent erratic operation. The ZSM561 features an open collector output capable of sinking at least 10mA which only requires a single external resistor to interface to following circuits.

Operation of the device is guaranteed from one volt upwards, from this level to the device threshold voltage the output is held low providing a power on reset function. Should the supply voltage, once established, at any time drop below the threshold level then the output again will pull low. Also included is a 6 volt zener diode connected between Vcc and Gnd. With just the addition of a low cost external NPN transistor and resistor, this zener allows the ZSM561 to provide both regulator and supply monitor functions

The device is available in a TO92 package for through hole applications as well as SO8 and SOT223 for surface mount requirements.

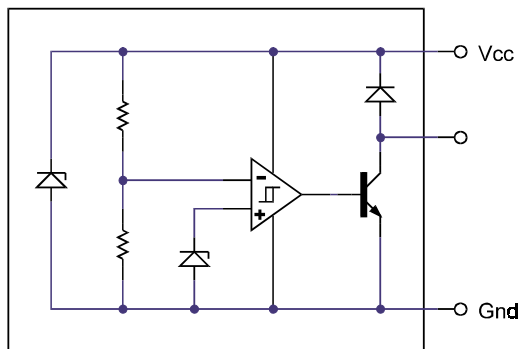
## FEATURES

- SO8, SOT223 and TO92 packages
- Power on reset generator
- Automatic reset generation
- Low standby current
- Guaranteed operation from 1 volt
- Wide supply voltage range
- Internal clamp diode to discharge delay capacitor
- 4.6 volt threshold for 5 volt logic
- 20mV hysteresis prevents erratic operation

## APPLICATIONS

- Microprocessor systems
- Computers
- Computer peripherals
- Instrumentation
- Automotive
- Battery powered equipment

## SCHEMATIC DIAGRAM



# ZSM561

## ABSOLUTE MAXIMUM RATING

|                                      |                    |                                |                |
|--------------------------------------|--------------------|--------------------------------|----------------|
| Input Supply Voltage                 | -1 to 7V           | Operating Junction Temperature | 150°C          |
| Supply Zener Current                 | 25mA continuous    | Operating Temperature          | -40 to 85°C    |
| Offstate Output Voltage              | 7V                 | Storage Temperature            | -65 to 150°C   |
| Onstate Output Sink Current(Notes 1) | Internally limited | <b>Power Dissipation</b>       |                |
| Clamp Diode Forward Current(Notes 1) | 100mA              | TO92                           | 780mW          |
|                                      |                    | SOT223                         | 2W(Notes 2)    |
|                                      |                    | SO8                            | 780mW(Notes 2) |

## TEST CONDITIONS

( $T_{amb}=25^{\circ}\text{C}$  for typical values,  $T_{amb}=-40$  to  $85^{\circ}\text{C}$  for min/max values (Notes 3))

## COMPARATOR

| PARAMETER  | SYMBOL   | MIN  | TYP. | MAX. | UNITS |
|--|----------|------|------|------|-------|
| Threshold Voltage High state output (Vcc increasing) | $V_{IH}$ | 4.5  | 4.61 | 4.7  | V     |
| Threshold Voltage Low state output (Vcc decreasing)  | $V_{IL}$ | 4.5  | 4.59 | 4.7  | V     |
| Hysteresis   | $V_H$    | 0.01 | 0.02 | 0.05 | V     |

## OUTPUT

|   |            |     |              |                    |               |
|---|------------|-----|--------------|--------------------|---------------|
| Output sink saturation:<br>( $V_{cc}=4.0\text{V}$ , $I_{sink}=8.0\text{mA}$ )<br>( $V_{cc}=4.0\text{V}$ , $I_{sink}=2.0\text{mA}$ )<br>( $V_{cc}=1.0\text{V}$ , $I_{sink}=0.1\text{mA}$ ) | $V_{OL}$   |     | 0.46<br>0.15 | 1.0<br>0.4<br>0.25 | V             |
| Onstate output sink current<br>( $V_{cc}$ , Output=4V)  | $I_{sink}$ | 10  | 20           | 60                 | mA            |
| Offstate output leakage current<br>( $V_{cc}$ , Output=5V)  | $I_{oh}$   |     | 0.02         | 0.5                | $\mu\text{A}$ |
| Clamp diode forward voltage<br>( $I_f=10\text{mA}$ )  | $V_f$      | 0.6 | 1.2          | 1.5                | V             |
| Propagation delay<br>( $V_{in}$ 5V to 4V, $R_l=10\text{k}$ , $T_{amb}=25^{\circ}\text{C}$ )   | $T_d$      |     | 1.5          |                    | $\mu\text{s}$ |

## SUPPLY ZENER

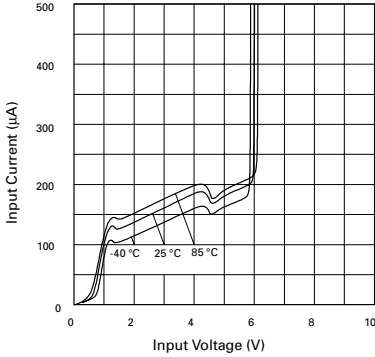
|   |       |     |          |          |          |
|---|-------|-----|----------|----------|----------|
| Avalanche Voltage:( $I_{cc}=1\text{mA}$ )   | $V_z$ | 5.8 | 6        | 6.2      | V        |
| Slope Resistance: ( $I_{cc}=15\text{mA}$ )<br>( $I_{cc}=15\text{mA}$ to $50\text{mA}$ ) | $R_z$ |     | 45<br>21 | 60<br>30 | $\Omega$ |

## TOTAL DEVICE

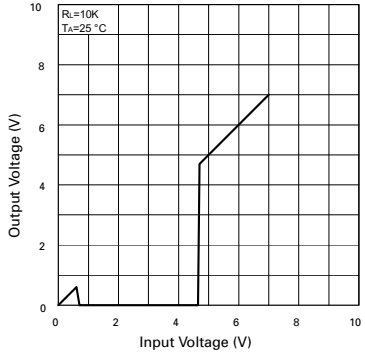
|  |          |          |     |     |               |
|--|----------|----------|-----|-----|---------------|
| Operating input voltage range(Notes 5)   | $V_{cc}$ | 1.0 to 7 |     |     | V             |
| Quiescent current ( $V_{cc}=5\text{V}$ ) | $I_q$    |          | 135 | 200 | $\mu\text{A}$ |

# ZSM561

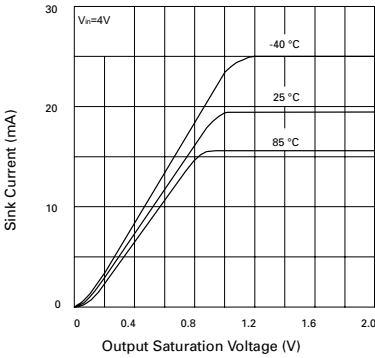
## TYPICAL CHARACTERISTICS



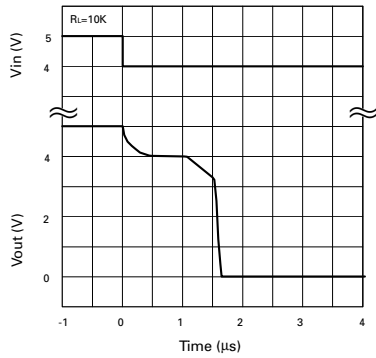
**Input Current vs. Input Voltage**



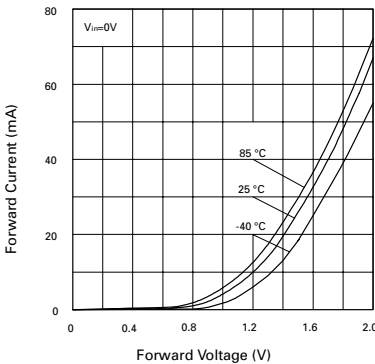
**Output Voltage vs. Input Voltage**



**Output Saturation Voltage vs. Sink Current**



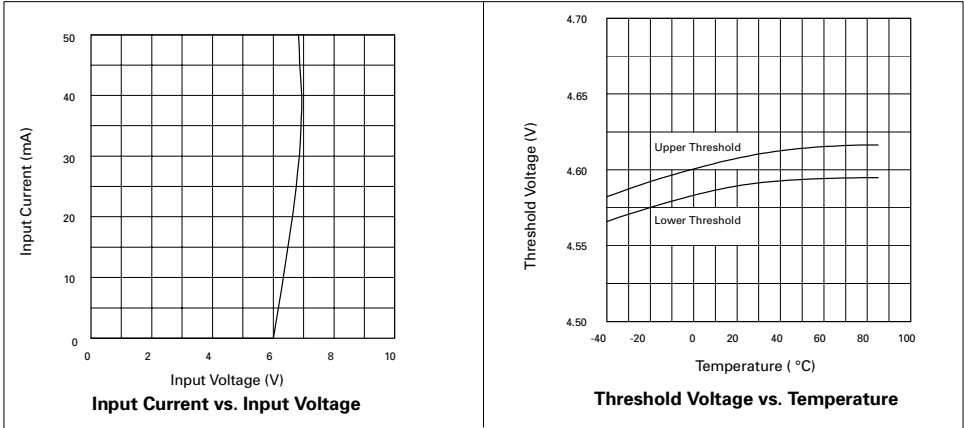
**Reset Delay Time**



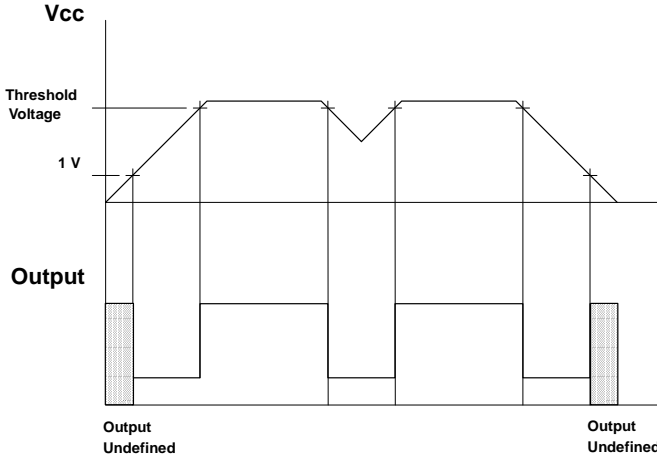
**Clamp Diode Forward Current vs. Voltage**

# ZSM561

## TYPICAL CHARACTERISTICS



## TIMING DIAGRAM

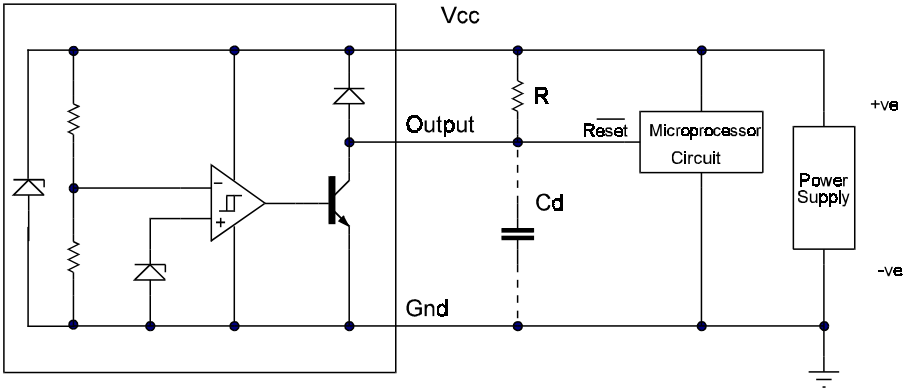


### Note:

1. Maximum package power dissipation must be observed.
2. Maximum power dissipation for the SOT223 and SO8 packages is calculated assuming that the device is mounted on a PCB measuring 2 inches square.
3. Low duty cycle pulse techniques are used during test to maintain junction temperatures as close to ambient as possible
4. A time delayed reset can be accomplished with the additional Cd.
5. Operation above  $V_2$  may be restricted by the supply current rating  $I_2$

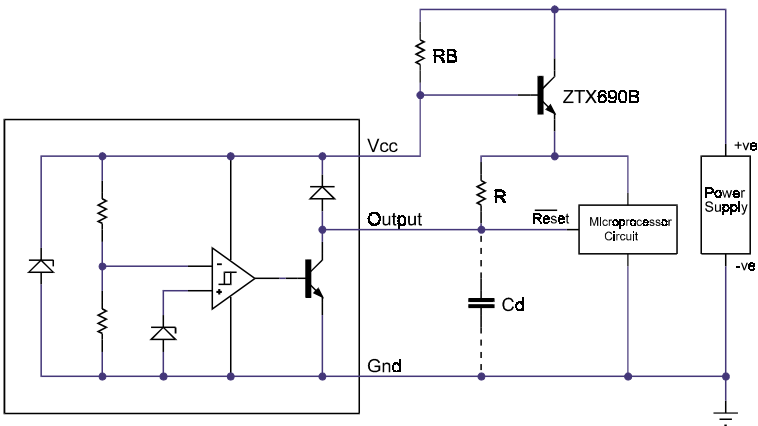
# ZSM561

## APPLICATION CIRCUITS



$$T_{DY} = RCd \ln \left( \frac{1}{1 - \frac{V_{TH(mpu)}}{V_{in}}} \right)$$

$T_{DY}$  = Time (Seconds)  
 $V_{TH}$  = Microprocessor Reset Threshold  
 $V_{in}$  = Power Supply Voltage



$$R_B = \frac{(V_{INMIN} - 6)}{\left(I_Q + \frac{I_L}{h_{FE}}\right)}$$

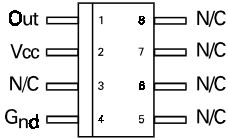
$V_{INMIN}$  = The minimum input voltage provided by the unregulated supply.  
 $I_Q$  = The ZSM561 quiescent current (ie 200  $\mu$ A)  
 $I_L$  = Load current taken by the microprocessor system.

$h_{FE}$  = The minimum  $h_{FE}$  that can be expected from the pass transistor under worst case conditions. (ie Lowest temperature and minimum input voltage). For the ZTX690B a value of 250 could be used.

# ZSM561

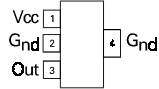
## CONNECTION DIAGRAMS

### SO8 Package Suffix – N8



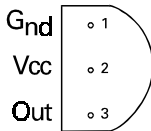
*Top View*

### SOT223 Package Suffix – G



*Top View –  
Pin 4 floating or connected to pin 2*

### TO92 Package Suffix – C



*Bottom View*

## ORDERING INFORMATION

| Part Number | Package | Part Mark |
|-------------|---------|-----------|
| ZSM561N8    | SO8     | ZSM561    |
| ZSM561G     | SOT223  | ZSM561    |
| ZSM561C     | TO92    | ZSM561    |