



Features

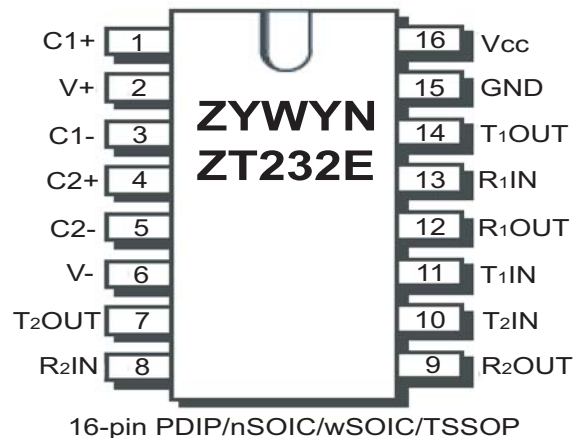
- Meets EIA/TIA-232F and CCITT V.28/V.24 specifications for V_{CC} at $+5V \pm 10\%$
- Low Quiescent Current – 3mA typ., 5mA max.
- Low Shutdown Current (where applicable) - 1 μ A typical, 5 μ A max.
- Guaranteed Standard Data Rate 250kbps
- Proprietary Switch-Capacitor Regulated Voltage Converters (patent pending)
- Use Small 0.1 μ F Capacitors
- Wake Up Feature (where applicable) in Shutdown Mode
- Tri-State Receiver Outputs
- Latch-up Free
- ESD Protection for RS-232 I/O's
 ± 15 kV Human Body Model (HBM)
- Drop-in Replacements for MAX202E, MAX232E, SP202E, SP232E, SP310E, SP312E, ST202E, ST232E, HIN202E, HIN232E, ADM202E, ADM232L
- High Data Rate at 1000kbps Available on ZT232F Series

General Description

The ZT232E series devices are +5V powered EIA/TIA-232 and CCITT V.28/V.24 communication interfaces with low power requirements. These transceivers consist of two line drivers, two line receivers and the proprietary switch-capacitor regulated voltage converters. The ZT310E and ZT312E feature a low power shutdown mode which draws as little current as 1 μ A typical with receiver outputs tri-stated and in wake-up. These devices operate from a single +5V power supply at the guaranteed data rate of 250k bits/sec with enhanced electrostatic discharge (ESD) protection in all RS232 I/O pins exceeding ± 15 kV HBM.

Applications

- Single Power Supply Applications
- Industrial and Embedded PCs
- Set Top Boxes
- Terminal Adapters
- POS terminals
- Peripherals Interface
- Routers and HUBs



Product Selection Guide And Cross Reference

Part Number	# of RS232 Tx	# of RS232 Rx	# of Rx active in SD	# of 0.1 μ F caps	Shut Down	Wake Up	TTL Tri-State	Data Rate (kbps)	ESD HBM on RS232 I/O	Pin-to-Pin Cross Reference AN003
ZT202E	2	2	0	4	No	No	No	250	± 15 kV	Analog Devices, Intersil, Maxim, EXAR, STmicro, TI
ZT232E	2	2	0	4	No	No	No	250	± 15 kV	
ZT310E	2	2	0	4	Yes	No	Yes	250	± 15 kV	EXAR
ZT312E	2	2	2	4	Yes	Yes	Yes	250	± 15 kV	

Absolute Maximum Ratings

These are stress ratings only and functional operation of the device at these ratings or any other above those indicated in the operation sections of the specifications is not implied. Exposure to absolute maximum rating conditions for extended periods of time may affect reliability.

Power Supply, (V_{CC}) -0.3V to +6.0V
 $V+$ -0.3V to +7.0V
 $V-+0.3V$ to -7.0V

$|V+| + |V-|$ +13.0V

I_{CC} (DC V_{CC} or GND current) $\pm 100mA$

Input Voltages

$TxIN$, SHUTDOWN, EN -0.3V to +6.0V

$RxIN$ $\pm 25V$

Output Voltages

$TxOUT$ $\pm 12V$

$RxOUT$ -0.3V to ($V_{CC} + 0.3V$)

Short-Circuit Duration

$TxOUT$ Continuous

Operating Temperature -40°C to +85°C

Storage Temperature -65°C to +150°C

Power Dissipation Per Package

16-pin PDIP (derate 11.20mW/°C above +70°C) 896mW

16-pin nSOIC (derate 10.00mW/°C above +70°C) 720mW

16-pin wSOIC (derate 10.10mW/°C above +70°C) 787mW

16-pin SSOP (derate 7.20mW/°C above +70°C) 584mW

16-pin TSSOP (derate 6.80mW/°C above +70°C) 556mW

18-pin PDIP (derate 12.60mW/°C above +70°C) 962mW

18-pin wSOIC (derate 11.10mW/°C above +70°C) 850mW

20-pin PDIP (derate 12.80mW/°C above +70°C) 976mW

20-pin SSOP (derate 8.10mW/°C above +70°C) 647mW

20-pin wSOIC (derate 11.10mW/°C above +70°C) 850mW

20-pin TSSOP (derate 7.20mW/°C above +70°C) 584mW

Storage Considerations

Storage in a low humidity environment is preferred. Large high density plastic packages are moisture sensitive and should be stored in Dry Vapor Barrier Bags. Prior to usage, the parts should remain bagged and stored below 40°C and 60%RH. If the parts are removed from the bag, they should be used within 168 hours or stored in an environment at or below 20%RH. If the above conditions cannot be followed, the parts should be baked for 12 hours at 125°C in order to remove moisture prior to soldering. Zywyn ships product in Dry Vapor Barrier Bags with a humidity indicator card and desiccant pack. The humidity indicator should be below 30%RH. The MSL of this product is 3.

The information furnished by Zywyn has been carefully reviewed for accuracy and reliability. Its application or use, however, is solely the responsibility of the user. No responsibility of the use of this information become part of the terms and conditions of any subsequent sales agreement with Zywyn. Specifications are subject to change without the responsibility for any infringement of patents or other rights of third parties which may result from its use. No license or proprietary rights are granted by implication or otherwise under any patent or patent rights of Zywyn Corporation.

Electrical Characteristics

Unless otherwise stated, $V_{CC} = +5.0V$, $T_A = T_{min}$ to T_{max} , $C1$ to $C4 = 0.1\mu F$, typical values apply at $V_{CC} = +5.0V$ and $T_A = 25^\circ C$.

Parameter	Condition	Min	Typ	Max	Units
TTL Logic Input TTL Logic Output RS-232 Input RS-232 Output Charge Pump Pin Power Pin	$T_1IN, T_2IN, \overline{EN}, \overline{SHDN}$ R_1OUT, R_2OUT R_1IN, R_2IN T_1OUT, T_2OUT C_1P, C_1N, C_2P, C_2N $V_{CC}, V_{GND}, V_{DD}, V_{SS}$	see specifications below			
Charge Pump Caps Temp $0^\circ C$ to $+70^\circ C$ Temp $-40^\circ C$ to $+85^\circ C$ V_{CC} Voltage Range	C_1P, C_1N, C_2P, C_2N Commercial Grade Industrial Grade $V_{CC} = +5.0V$ Supply	0.1 0 -40 4.5	0.1 +25 +25 5	1.0 +70 +85 5.5	μF $^\circ C$ $^\circ C$ V
Supply Current Quiescent	TTL Inputs = V_{CC}/GND , RS-232 Input = float, $T_A = 25^\circ C$ $V_{CC} = +5.0V \pm 10\%$, No load on transmitter outputs (For ZT232E) (For ZT202E, ZT310E, ZT312E)		3 4	5 8	mA mA
Supply Current Transmitters Loaded	TTL Inputs = V_{CC}/GND , RS-232 Inputs = float, $T_A = 25^\circ C$ $V_{CC} = +5.0V$, All transmitter outputs loaded with $R_L = 3k\Omega$		15		mA
Supply Current, SHUTDOWN Enabled	$\overline{SHDN} = GND$, TTL Inputs = V_{CC}/GND , $T_A = 25^\circ C$ RS-232 Inputs = float, $V_{CC} = +5.0V$ (For ZT310E/ZT312E)		1	5	μA
TTL LOGIC Input Input Threshold Low Input Threshold High Input Hysteresis Input Leakage Current	$V_{CC} = +5.0V$ Supply $T_1IN, T_2IN, \overline{EN}, \overline{SHDN}$ $T_1IN, T_2IN, \overline{EN}, \overline{SHDN}$ T_1IN, T_2IN $T_xIN = GND$	2.4	0.5 15	0.8 200	V V V μA
TTL LOGIC Output Output Voltage Low Output Voltage High Output Leakage Current	$I_{OUT} = 3.2mA$ $I_{OUT} = -1.0mA$ $\overline{SHDN} = GND, \overline{EN} = V_{CC}; GND \leq V_{OUT} \leq V_{CC}$ (For ZT310E/ZT312E)	3.5	0.05	0.4 10	V V μA
Receiver Input Input Voltage Range Input Threshold Low Input Threshold High Input Hysteresis Input Resistance	$T_A = T_{min} - T_{max}$ $T_A = 25^\circ C, V_{CC} = 5.0V$ $V_{CC} = +5.0V$ Supply $T_A = 25^\circ C$ $V_{IN} = \pm 25V, T_A = 25^\circ C$	-25 0.8 0.2 3	 1.2 1.7 0.5	25 2.4 1.0 7	V V V V k Ω
Transmitter Output Output Voltage Swing Output Resistance Output Short-Circuit Current Output Leakage Current	$R_L = 3\sim 7k\Omega$, All Outputs are loaded (For ZT232E) $R_L = 3\sim 7k\Omega$, All Outputs are loaded, $V_{CC} = 5.25V$ (For ZT202E, ZT310E, ZT312E) $V_{CC} = V_{DD} = V_{SS} = GND, V_{OUT} = \pm 2V$ $V_{OUT} = GND$ Transmitter Disabled, $V_{OUT} = \pm 12V$	± 5 ± 5 300	± 6 ± 9 ± 20 ± 5	 ± 60	V V Ω mA μA

Electrical Characteristics

Unless otherwise stated, $V_{CC} = +5.0V$, $T_A = T_{min}$ to T_{max} , $C1$ to $C4 = 0.1\mu F$, typical values apply at $V_{CC} = +5.0V$ and $T_A = 25^\circ C$.

Parameter	Condition	Min	Typ	Max	Units
Timing Characteristics					
Maximum Data Rate One Transmitter (1Tx/1Rx) Switching	$R_L = 3\sim 7k\Omega$, $C_L = 50pF\sim 2500pF$, $T_A = 25^\circ C$	250			kbps
Transition-Region Slew Rate	$R_L = 3\sim 7k\Omega$, $C_L = 50pF\sim 2500pF$, One Transmitter Switching, $T_A = 25^\circ C$, Measured from +3V to -3V or -3V to +3V, $V_{CC} = 4.5V$	6		30	V/ μs
Transmitter Propagation t_{PLH}	All transmitters loaded with $R_L = 3k\Omega$, $C_L = 1000pF$		2.0		μs
Transmitter Propagation t_{PHL}	All transmitters loaded with $R_L = 3k\Omega$, $C_L = 1000pF$		2.0		μs
Transmitter Skew	$t_{PHL} - t_{PLH}$		100		ns
Transmitter Output Enable Time	(For ZT310E/ZT312E)		0.4		μs
Transmitter Output Disable Time	(For ZT310E/ZT312E)		0.25		μs
Receiver Propagation t_{PLH}	$C_L = 150pF$		0.15		μs
Receiver Propagation t_{PHL}	$C_L = 150pF$		0.15		μs
Receiver Skew	$t_{PHL} - t_{PLH}$		50		ns
Receiver Output Enable Time	(For ZT310E/ZT312E)		0.2		μs
Receiver Output Disable Time	(for ZT310E/ZT312E)		0.2		μs
ESD Tolerance					
RS-232 I/Os ESD HBM			± 15		kV
TTL/CMOS I/Os ESD HBM			± 2		kV

SHDN	EN	Power Up/Down	Receiver Outputs
0	0	Down	Enable
0	1	Down	Tri-State
1	0	Up	Enable
1	1	Up	Tri-State

Table 1. Wake-Up Truth Table for ZT312E

Circuit Description

Proprietary Switch-Capacitor Regulated Voltage Converter

Different from other suppliers, Zywyn uses a patent pending switch-capacitor voltage-controlled source and sink current generators design to provide powerful bipolar voltages to maintain compliant EIA/RS232 levels regardless of power supply fluctuations. The design consists of an internal regulated oscillator, a two phase clock cycling, regulated complementary MOS switches, fast switching diode and switch capacitors.

The switch capacitor bi-directional current generators operate with Zywyn's proprietary smartly regulated complementary MOS switches and fast switching diode from its proprietary high voltage process technology. The efficiency of these bi-directional current generators is well over 70%. The switching frequency is generated by an internal oscillator and regulated by the current loads. The switch capacitor pump design delivers higher negative bucked voltage than the positive boosted voltage to achieve a balanced voltage controlled source and sink current generators resulting a balanced bipolar voltage supplies to the chip.

With its unique proprietary design technique, Zywyn's interface product series provide a better power efficient, stable and compliant EIA/RS232 levels with superior low power consumption.

Controlled Enable and Power-Down

The ZT310E and ZT312E both feature an enable input, which allows the receiver outputs to be either tri-stated or enabled. This can be especially useful when the receiver is tied directly to a microprocessor data bus. For the ZT310E, enable is active low, in which a logic HIGH applied to the OFF pin will enable the receiver outputs. For the ZT312E, enable is active high in which a logic HIGH applied to the EN pin will enable the receiver outputs.

ZT310E and ZT312E have a low-power shutdown mode controlled by the ON/OFF pin for the ZT310E and the SHDN pin for the ZT312E. During shutdown the driver output and the switch-capacitor regulated voltage converter are disabled with the supply current falls to less than 1 μ A.

ZT312E includes a wakeup function that enables both receivers during a shutdown state. With only the receivers active during the shutdown state, the devices draw 5-10 μ A of supply current. A typical application is when a RS232 cable is connected or when the peripheral is enabled such as a modem, the devices will automatically become active again. After the supply voltage to the ZT312E reaches +5.0V, the SHDN pin can be disabled, taking the ZT312E out of the shutdown mode. All receivers that are active during shutdown maintain 500mV (typ.) of hysteresis.

ESD Immunity

Electro-Static Discharge (ESD) is an important factor when implementing a serial port into a system. In some applications, it is crucial that the ESD protection for the system must meet a certain tolerance level. Since RS232 transceiver devices are exposed to the outside world, there are many environmental factors that can

effect the serial port and even subject it to transients that could potentially damage the transceiver itself.

The RS232 transceiver is usually routed from the serial port connector to the transceiver IC through the metal trace on the printed circuit board. This trace will have some small amount of resistance that will add some protection in terms of limiting transient current to the IC. However for added voltage protection, transient voltage suppressors (TVS) or transzorb, which are back-to-back diode arrays clamp, are usually necessary to protect the serial port circuitry.

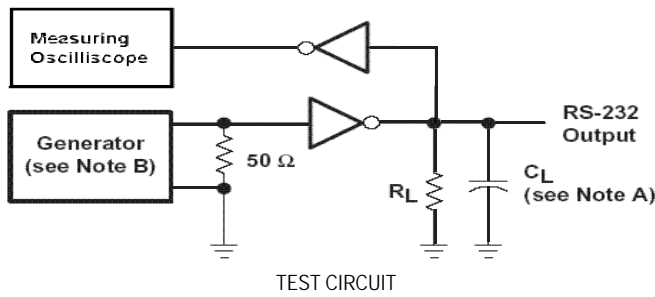
To further reduce cost within their system, more engineers are requiring higher ESD tolerances from the transceiver ICs themselves without having to add costly TVS circuitry. Zywyn's RS232 transceivers includes built-in transient voltage suppression where external ESD circuitry is not necessary to meet the MIL-STD-883, Method 3015, Human Body Model and the EN61000-4-2 Air/Contact Discharge tests.

The Human Body Model has been the generally accepted ESD testing method for semiconductors. This test is intended to simulate the human body's potential to store electrostatic energy and discharge it to an integrated circuit upon close proximity or contact. This method will test the IC's capability to withstand an ESD transient during normal handling such as in manufacturing areas where the ICs tend to be handled frequently.

EN61000-4-2 is used for testing ESD on equipment and systems. For system manufacturers, they must guarantee a certain amount of ESD protection since the system itself is exposed to the outside environment and human presence. EN61000-4-2 specifies that the system is required to withstand an amount of static electricity when ESD is applied to exposed metal points and surfaces of the equipment that are accessible to personnel during normal usage. The transceiver IC receives most of the ESD current when the ESD source is applied to the connector pins.

There are two methods within EN61000-4-2, the Air Discharge method and the Contact Discharge method. With the Air Discharge Method, an ESD voltage is applied to the equipment under test through air, which simulates an electrically charged person ready to connect a cable onto the rear of the system and the high energy potential on the person discharges through an arcing path to the rear panel of the system before he or she even touches the system. The Contact Discharge Method applies the ESD current directly to the EUT. This method was devised to reduce the unpredictability of the ESD arc. The discharge current rise time is constant since the energy is directly transferred without the air-gap arc inconsistencies.

Typical Test Circuits



Maximum Data Rate Test Circuit

Notes:

A. $R_L = 3k\Omega$, $C_L = 1000pF$, $T_A = 25^\circ C$,

One Driver Switching.

B. The pulse generator had the following characteristics:

PRR = 250 kbps, $Z_0 = 50\Omega$, 50% duty cycle,

T_r & $T_f \leq 10ns$

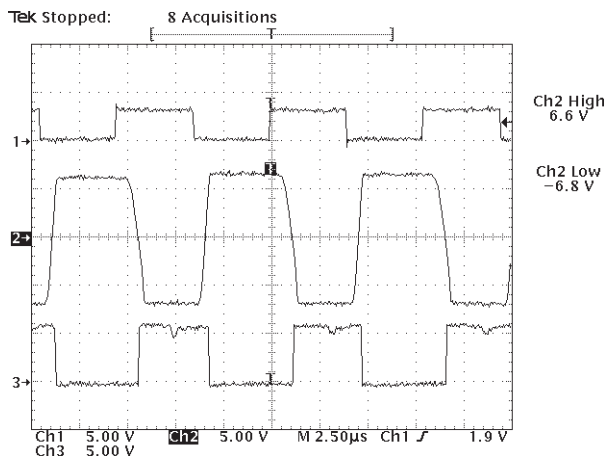


Figure 1. ZT232E TxIN to TxOut (no load) at 250kbps waveform

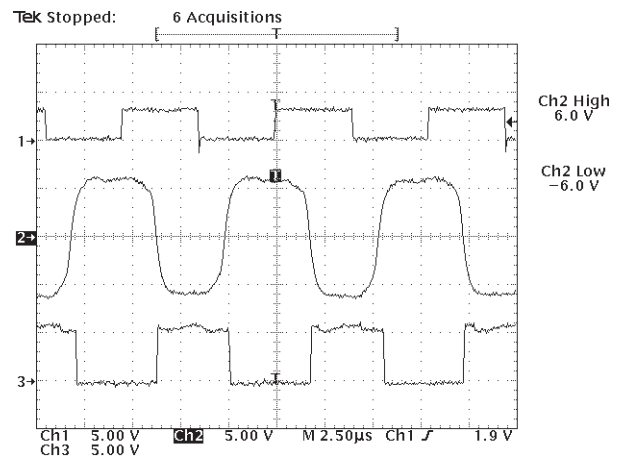


Figure 2. ZT232E TxIN to TxOut to RxOut (loopback to Rx with 1000pF load) at 250kbps waveform

Test Circuit RS232 Signal Characteristics

Figure 1 shows the normal RS232 transceiver function with a TTL/CMOS signal applied to the input on channel 1 and the resultant RS232 output shown on channel 2. This figure shows a typical RS232 line driver output without loading. In other words, this is the open circuit RS232 output voltage. The charge pump voltage converter efficiently converts the necessary voltage for the driver's output transistors so that the RS232 output is close to the ideal rail voltage of 6.6V.

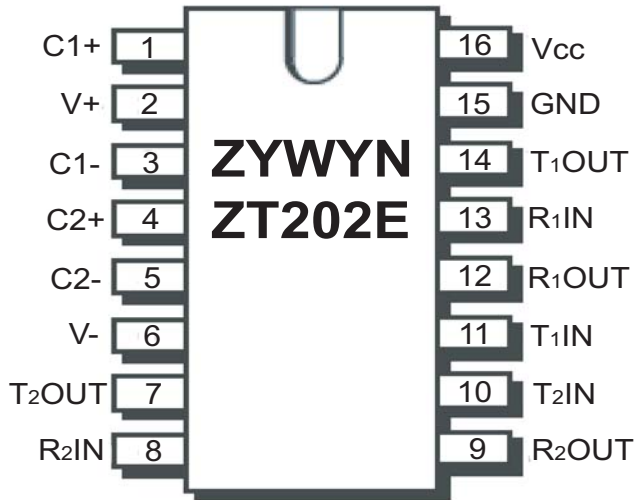
Figure 2 shows the RS232 transceiver function using the TTL/CMOS input on channel 1 while showing the RS232 output on channel 2. This figure shows the RS232 signal while the output is loaded with 3kohms and 1000pF. The resistive load is the receiver's input impedance as the driver's output is looped back to the receiver's input. The resultant output on channel 3 is the receiver's

TTL/CMOS output. While loaded with a typical RS232 load, the driver's output level only drops 0.2V from its open circuit voltage while running that 250kbps. The RS-232 output on channel 2 also shows good signal integrity while at the high data rates, which allows the receiver to process the signal with minimum skew and delay. Zywyn's low-drop driver circuitry working with its efficient voltage regulator allows superior line driving capability with the bonus of $\pm 15kV$ ESD immunity.

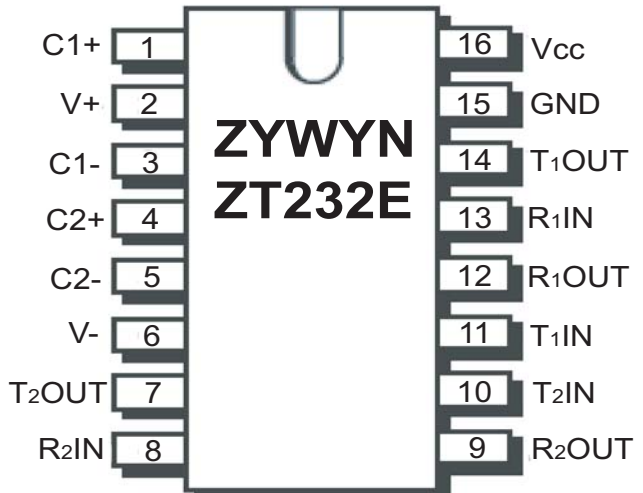
Specification	RS-232D	RS-423A	RS-422	RS-485	RS-562
Mode of Operation	Single-Ended	Single-Ended	Differential	Differential	Single-Ended
No. of Drivers and Receivers Allowed on One Line	1 Driver 1 Receiver	1 Driver 10 Receivers	1 Driver 10 Receivers	32 Drivers 32 Receivers	1 Driver 1 Receiver
Maximum Cable Length	50 feet	4,000 feet	4,000 feet	4,000 feet	$C \leq 2,500 \text{ pF@ } <20\text{kbps}$; $C \leq 1,000 \text{ pF@ } >20\text{kbps}$
Maximum Data Rate	20 kbps	100 kbps	10 Mbps	10 Mbps	64 kbps
Driver Output Maximum Voltage	$\pm 25\text{V}$	$\pm 6\text{V}$	- 0.25V to +6V	- 7V to +12V	- 3.7V to +13.2V
Driver Output Signal Level					
Loaded	$\pm 5\text{V}$	$\pm 3.6\text{V}$	$\pm 2\text{V}$	$\pm 1.5\text{V}$	$\pm 3.7\text{V}$
Unloaded	$\pm 15\text{V}$	$\pm 6\text{V}$	$\pm 5\text{V}$	$\pm 5\text{V}$	$\pm 13.2\text{V}$
Driver Load Impedance	3 ~ 7K Ω	450 Ω	100 Ω	54 Ω	3 ~ 7K Ω
Maximum Driver Output Current (High Impedance State)					
Power On				$\pm 100\mu\text{A}$	
Power Off	$V_{\text{MAX}}/300$	100 μA	$\pm 100\mu\text{A}$	$\pm 100\mu\text{A}$	
Slew Rate	30V/ μs max.	Controls Provided			30V/ μs max.
Receiver Input Voltage Range	$\pm 15\text{V}$	$\pm 12\text{V}$	-7V to +7V	-7V to +12V	$\pm 15\text{V}$
Receiver Input Sensitivity	$\pm 3\text{V}$	$\pm 200\text{mV}$	$\pm 200\text{mV}$	$\pm 200\text{mV}$	$\pm 3\text{V}$
Receiver Input Resistivity	3 ~ 7K Ω	4K Ω min.	4K Ω min.	12K Ω min.	3 ~ 7K Ω

Table 2. EIA Standard Parameter Summary

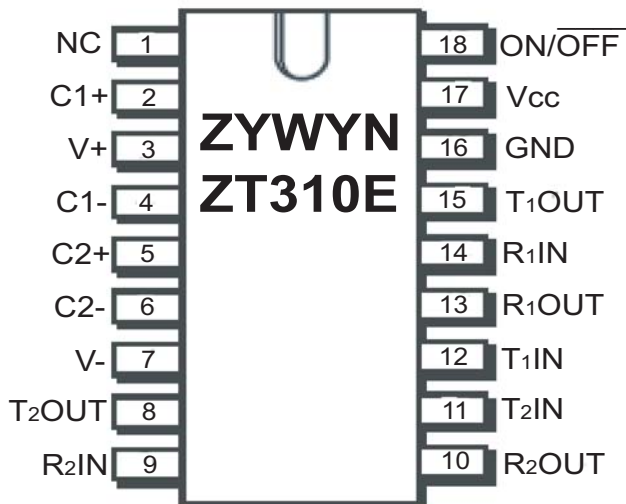
Pin Configuration



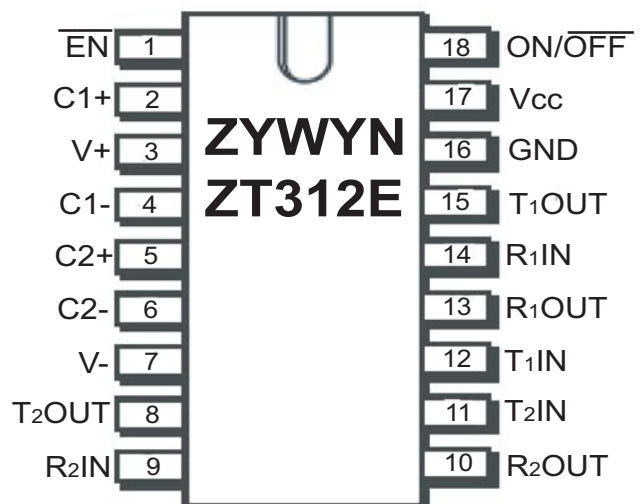
16-pin PDIP/nSOIC/wSOIC/TSSOP



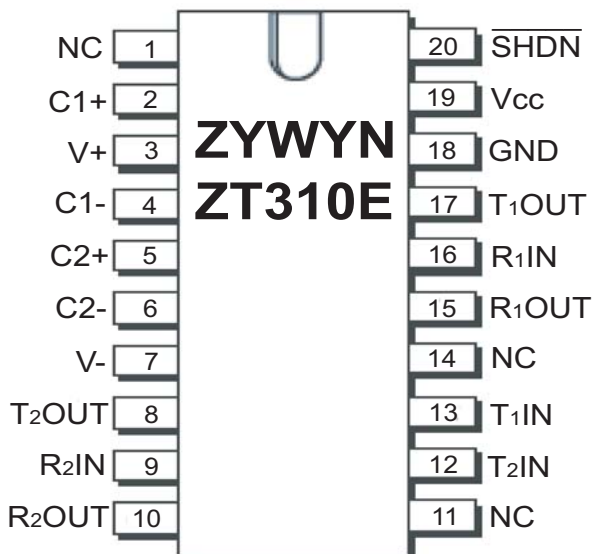
16-pin PDIP/nSOIC/wSOIC/TSSOP



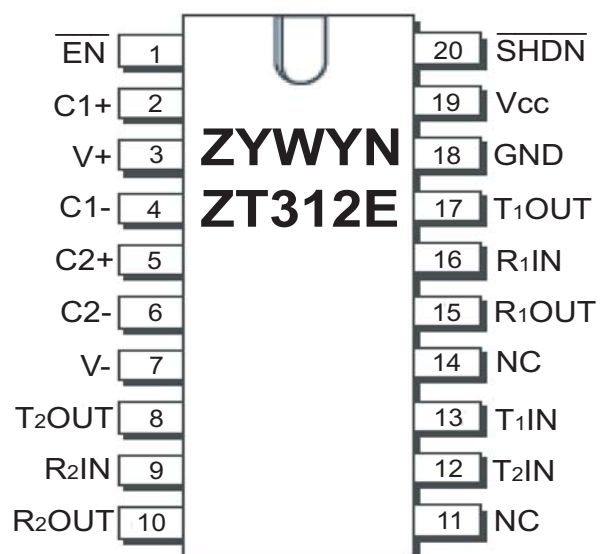
18-pin PDIP/wSOIC



18-pin PDIP/wSOIC

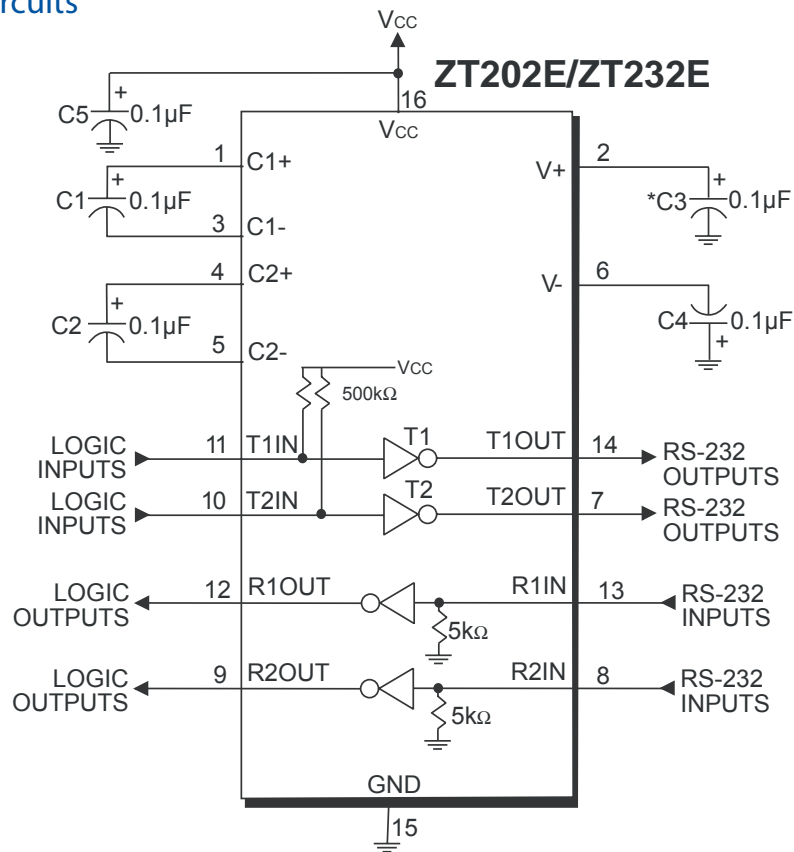


20-pin SSOP

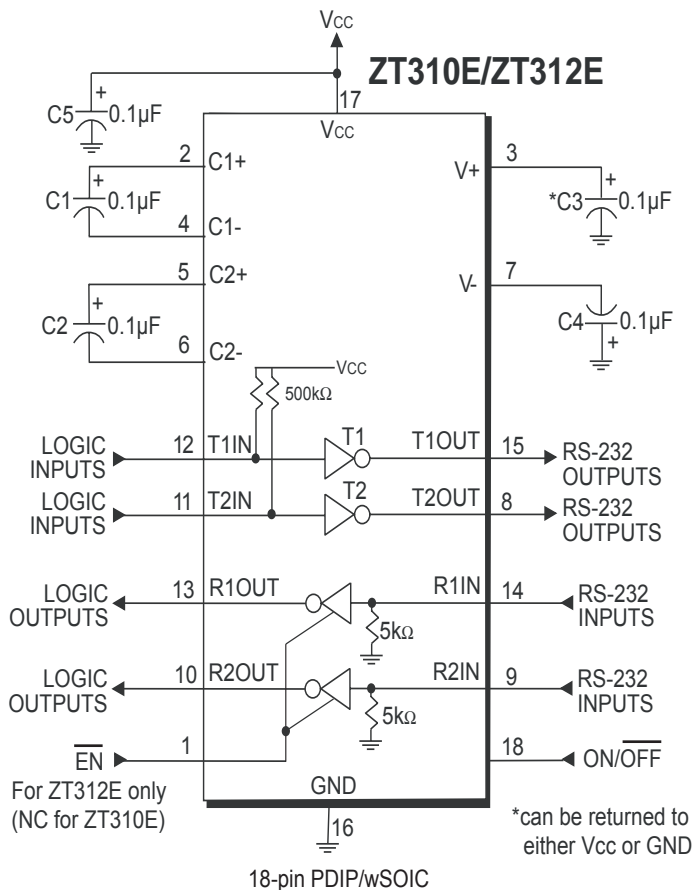


20-pin SSOP

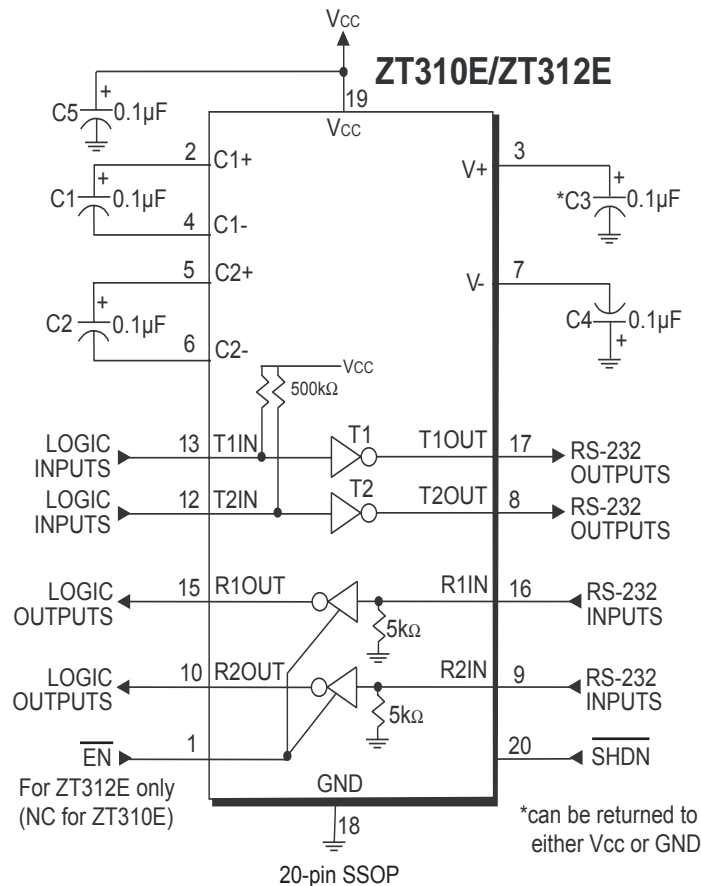
Typical Application Circuits



*can be returned to either V_{CC} or GND

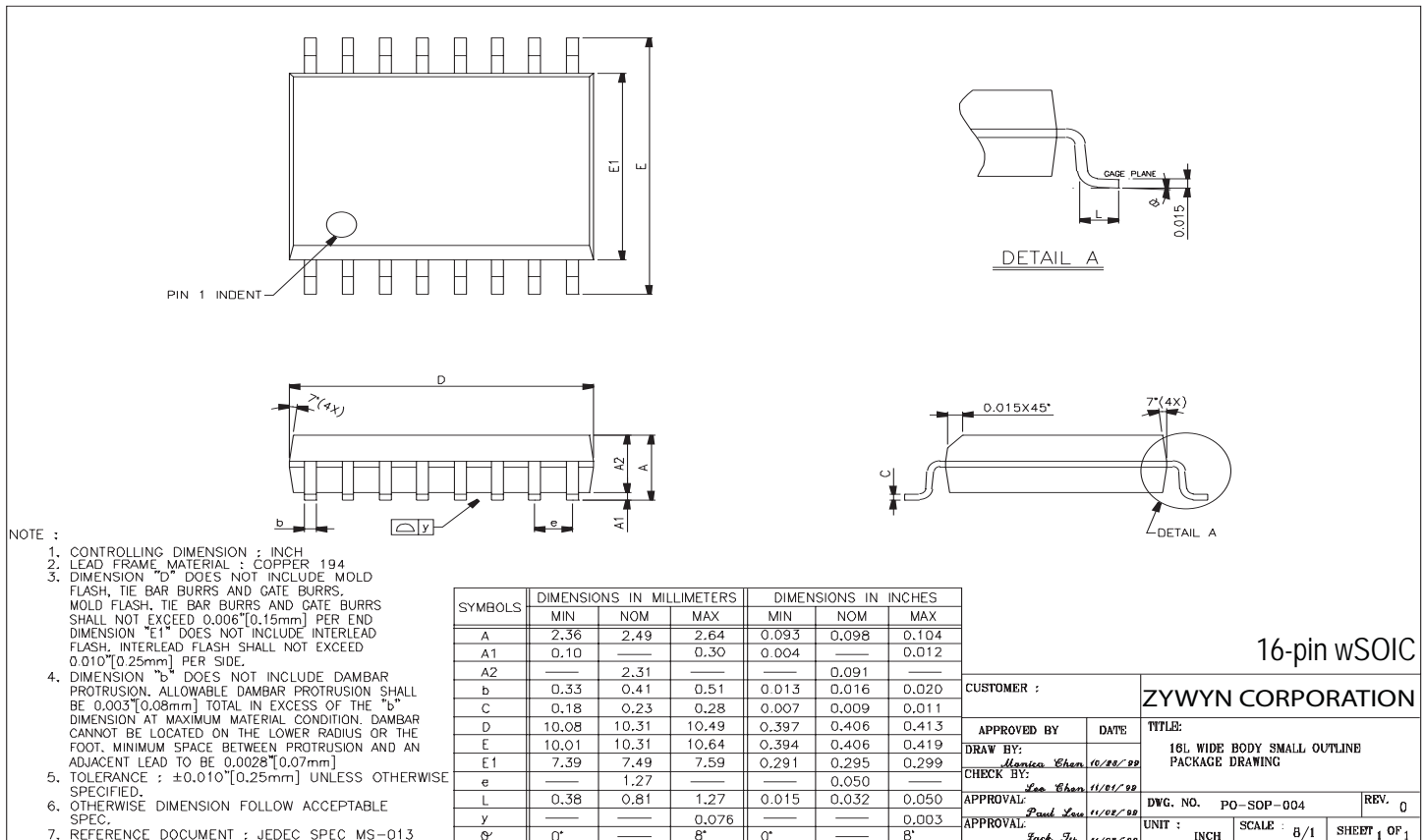
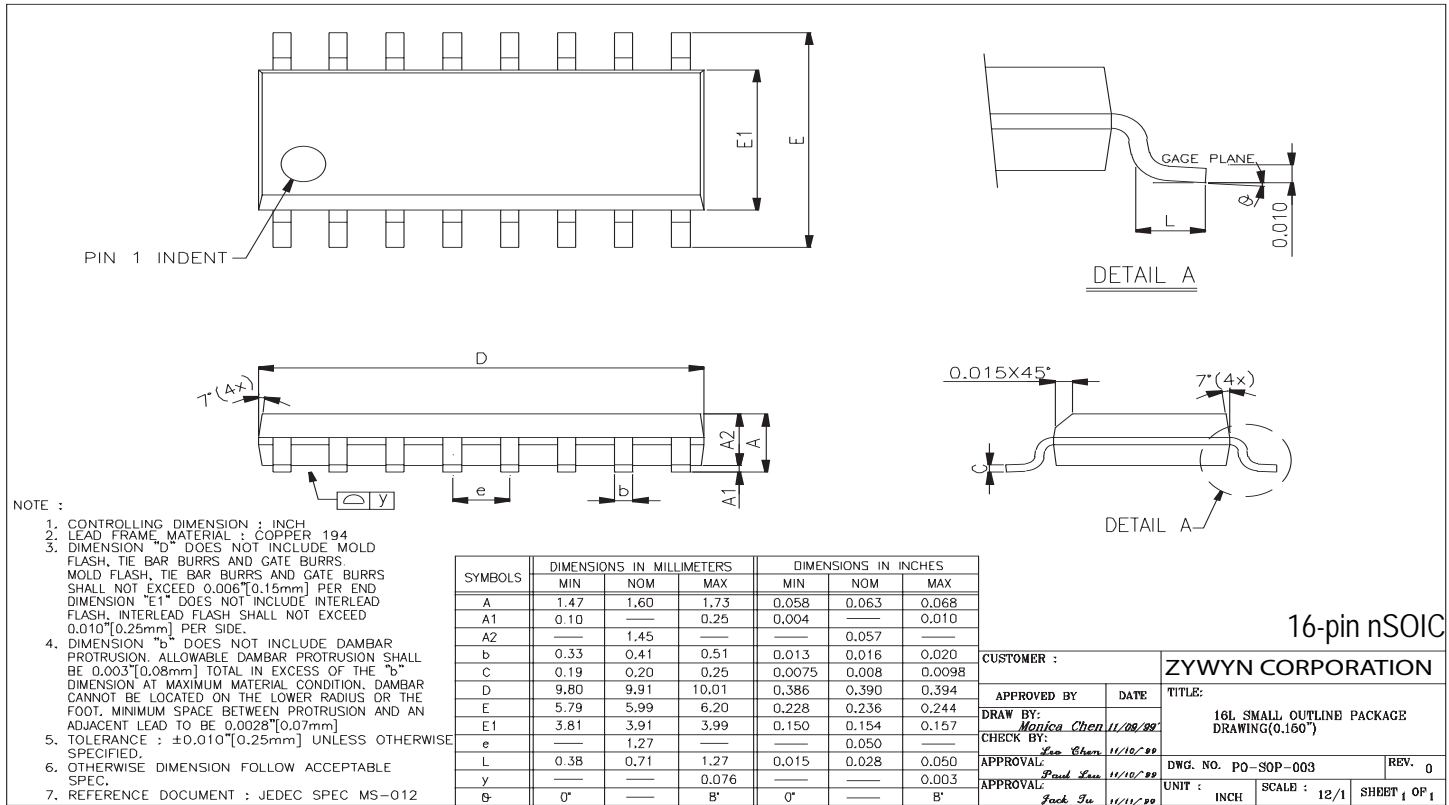


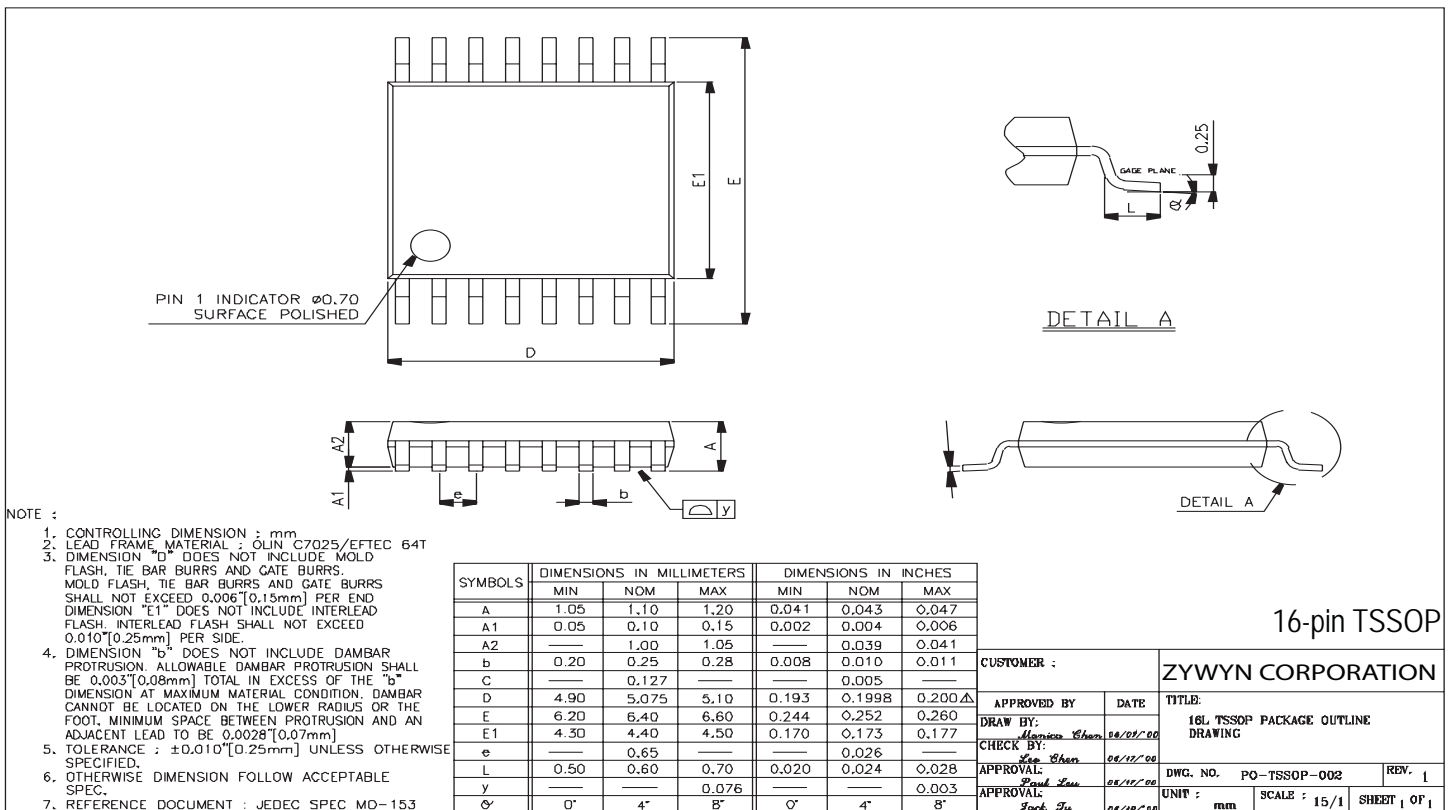
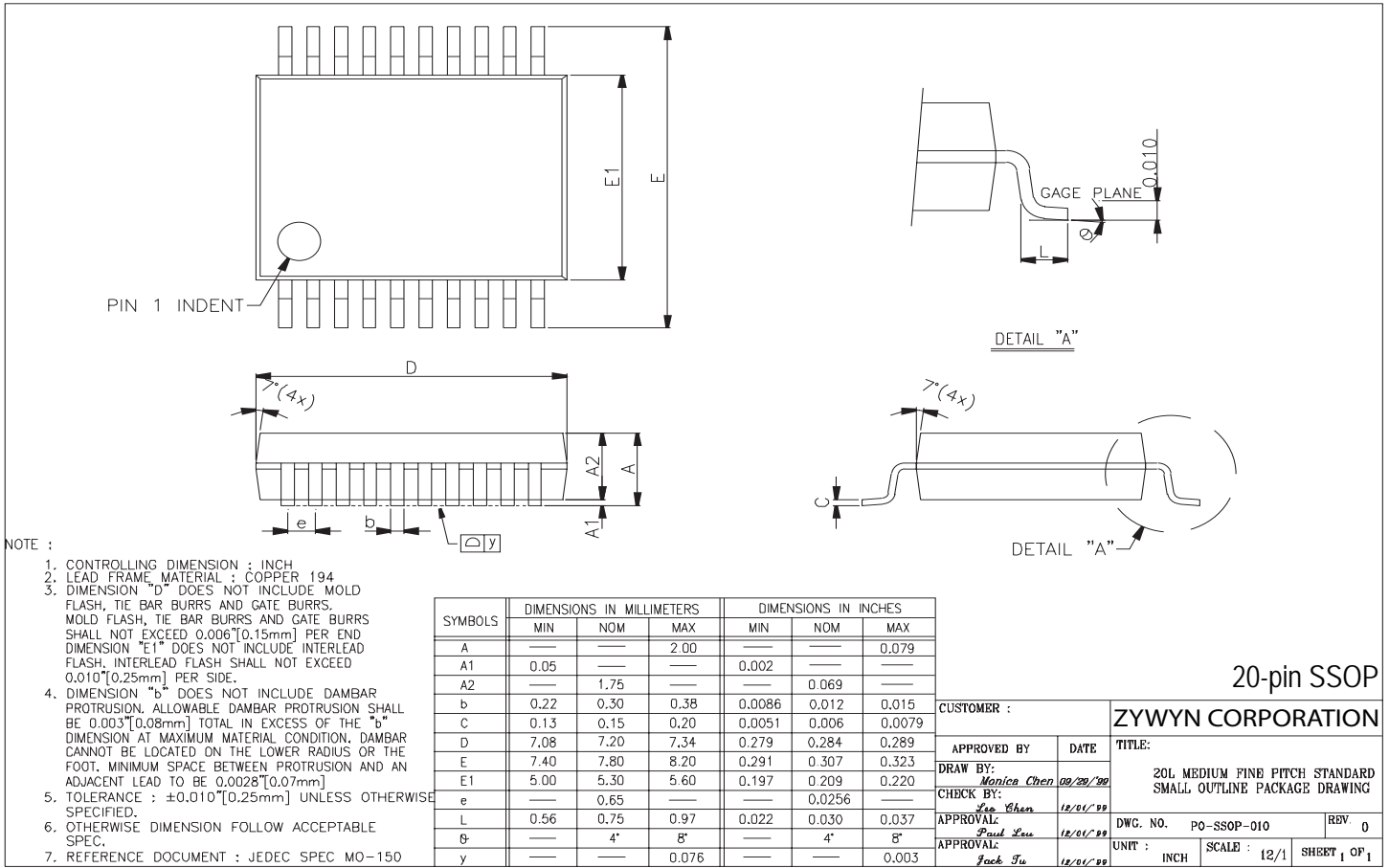
*can be returned to either V_{CC} or GND

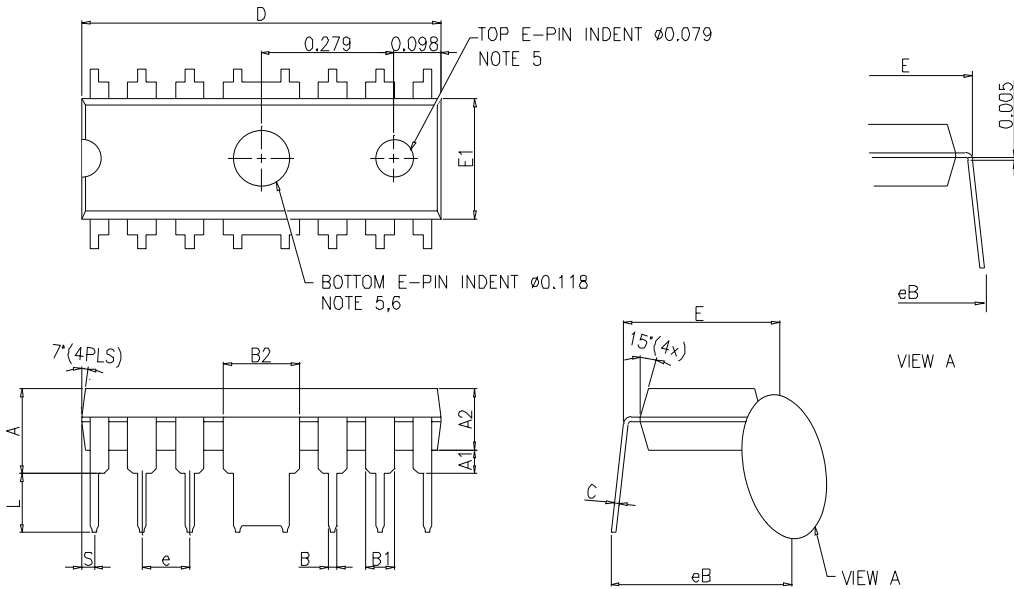


*can be returned to either V_{CC} or GND

Package Information







NOTES :

1. CONTROLLING DIMENSION : INCH
2. LEAD FRAME MATERIAL : OLIN 151 3/4 HARD
3. PACKAGE DIMENSION EXCLUDE MOLDING FLASH
4. THE MAX. ALLOWABLE MOLDING FLASH IS 0.010"
5. THE DEPTH OF E-PIN INDENT : 0.010"-0.015".
6. BOTTOM E-PIN INDENT ARE MARKED AS BELOW :

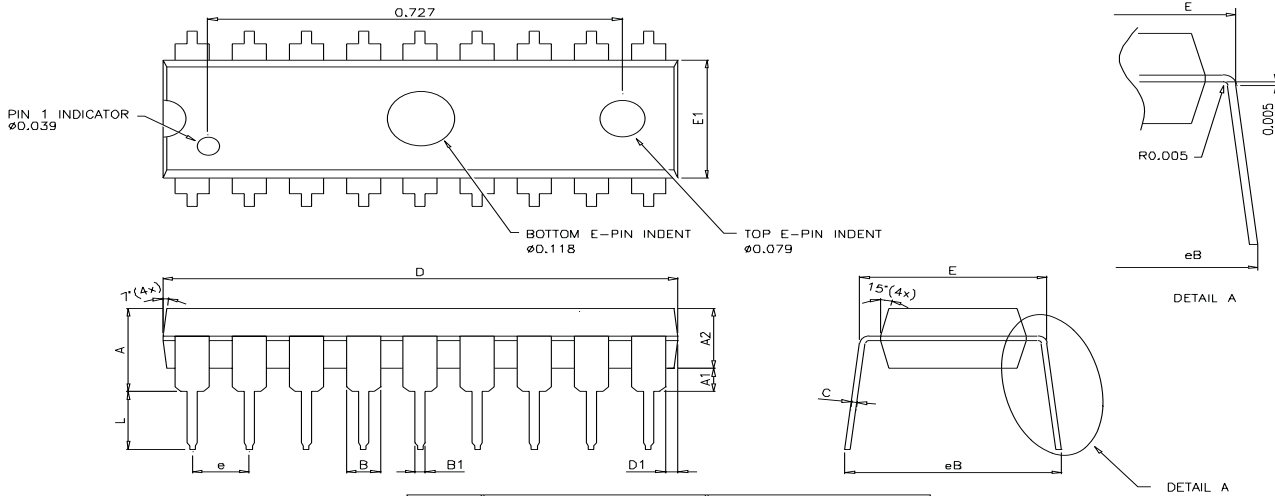


X : A ~ M
Y : 0 ~ 9

SYMBOLS	DIMENSIONS IN INCHES		
	MIN	NOM	MAX
A	—	—	0.180
A1	0.38	0.51	0.64
A2	3.05	3.30	0.120
B	0.41	0.46	0.016
B1	1.40	1.52	0.055
C	0.20	0.25	0.008
D	18.90	19.15	0.744
E	7.62	—	0.300
E1	6.35	6.50	0.250
e	—	2.54	—
L	2.79	3.05	0.110
eB	7.62	—	0.300
S	0.56	0.69	0.022
B2	3.94	4.06	0.155

16-pin PDIP

CUSTOMER :		ZYWYN CORPORATION	
APPROVED BY :	DATE :	TITLE :	
DRAW BY: <i>Wei Chen</i>	01/07/99	16L PLASTIC DIP BATWING	
CHECK BY: <i>Thomas Kao</i>	7/8/99	PACKAGE OUTLINE DRAWING	
APPROVAL: <i>Paul Lee</i>	7/8/99	DWG. NO. PO-DIP-004	REV. 0
APPROVAL: <i>Jack Ju</i>	7/8/99	UNIT : INCH	SCALE : 5/1 SHEET 1 OF 1



NOTES :

1. CONTROLLING DIMENSION : INCH
2. PACKAGE DIMENSION EXCLUDE MOLD FLASH OR PROTRUSION.
3. ALLOWABLE MOLD FLASH OR PROTRUSION SHALL NOT EXCEED 0.010".
4. FREMA MATERIAL: A194
5. TOLERANCE : 0.010" UNLESS OTHERWISE SPECIFIED.
6. AFTER SOLDER DIPPING LEAD THICKNESS WILL BE 0.020" MAX.
7. THE BOTTOM E-PIN INDENT ARE MARKED AS FOLLOW:



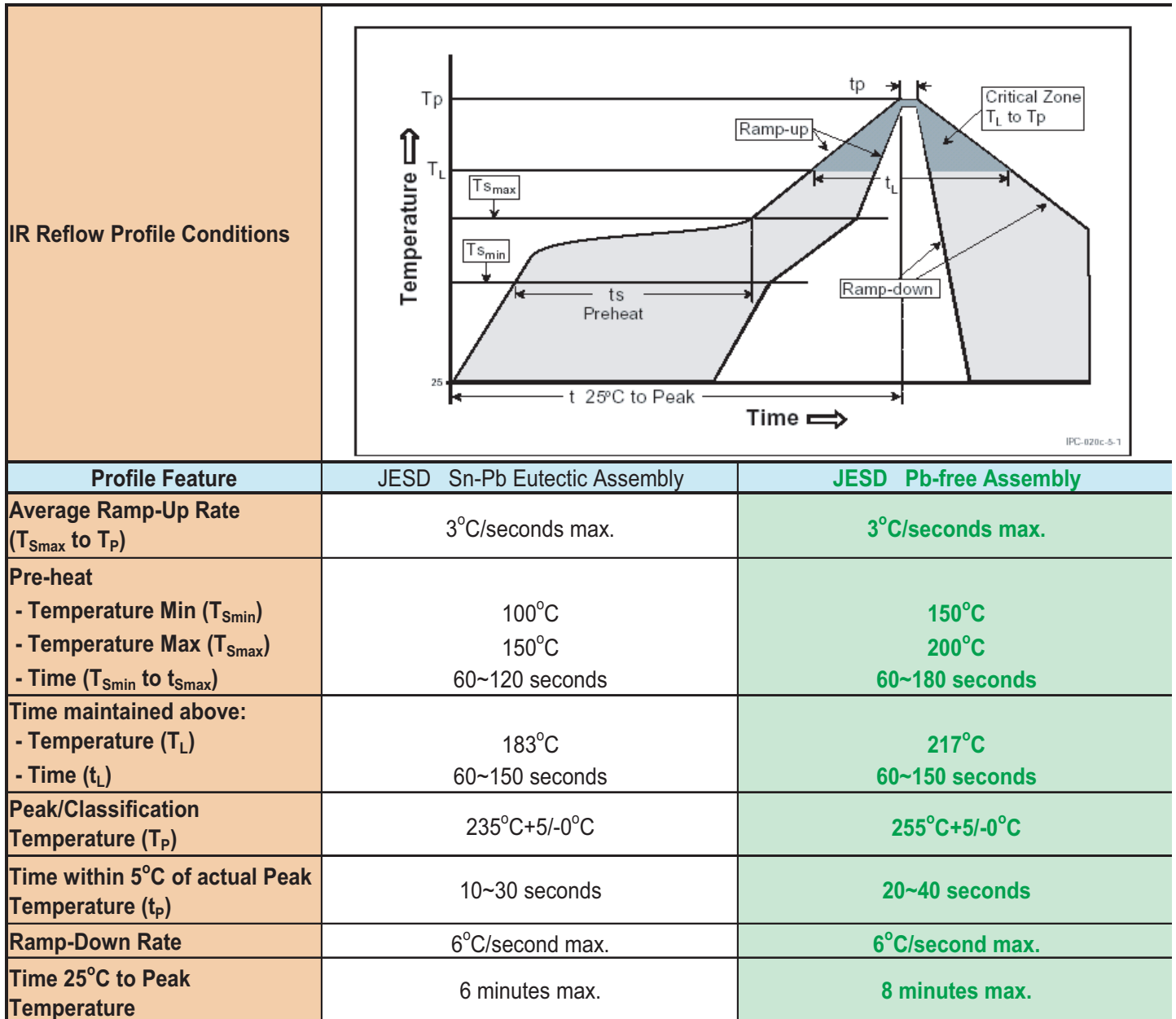
X : A~M (Except i)
Y : 0~9

SYMBOLS	DIMENSIONS IN MILLIMETERS			DIMENSIONS IN INCHES		
	MIN	NOM	MAX	MIN	NOM	MAX
A	—	—	4.57	—	—	0.180
A1	0.38	—	—	0.015	—	—
A2	—	3.30	3.56	—	0.130	0.140
B1	0.36	0.46	0.56	0.014	0.018	0.022
B	1.27	1.52	1.78	0.050	0.060	0.070
C	0.20	0.25	0.33	0.008	0.010	0.013
D	22.71	22.96	23.11	0.894	0.904	0.910
D1	0.43	0.56	0.69	0.017	0.022	0.027
E	7.62	—	8.26	0.300	—	0.325
E1	6.40	6.50	6.65	0.252	0.256	0.262
e	—	2.54	—	—	0.100	—
L	3.18	—	—	0.125	—	—
eB	8.38	—	9.65	0.330	—	0.380

18-pin PDIP













CUSTOMER :		ZYWYN CORPORATION	
APPROVED BY :	DATE :	TITLE :	
DRAW BY: <i>Wei Chen</i>	07/14/99	18L P-DIP PACKAGE	
CHECK BY: <i>Thomas Kao</i>	7/14/99	OUTLINE DRAWING	
APPROVAL: <i>Paul Lee</i>	7/14/99	DWG. NO. PO-DIP-005	REV. 0
APPROVAL: <i>Jack Ju</i>	7/15/99	UNIT : INCH	SCALE : 6/1 SHEET 1 OF 1

Green Package SMD IR Reflow Profile Information



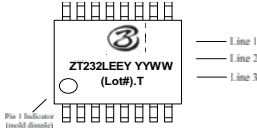
Zywyn Green Packages are Pb-free and RoHS compliance.

Ordering Information

Part Number	Drivers	Receivers	Temperature Range	Package Type	
ZT202LEEN	2	2	-40°C to +85°C	16-pin nSOIC	
ZT202LEEP	2	2	-40°C to +85°C	16-pin PDIP	
ZT202LEET	2	2	-40°C to +85°C	16-pin wSOIC	
ZT202LEEY	2	2	-40°C to +85°C	16-pin TSSOP	
ZT232LEEN	2	2	-40°C to +85°C	16-pin nSOIC	
ZT232LEEP	2	2	-40°C to +85°C	16-pin PDIP	
ZT232LEET	2	2	-40°C to +85°C	16-pin wSOIC	
ZT232LEEY	2	2	-40°C to +85°C	16-pin TSSOP	
ZT310LEET	2	2	-40°C to +85°C	18-pin wSOIC	
ZT310LEEA	2	2	-40°C to +85°C	20-pin SSOP	
ZT312LEET	2	2(with \overline{EN})	-40°C to +85°C	18-pin wSOIC	
ZT312LEEA	2	2(with \overline{EN})	-40°C to +85°C	20-pin SSOP	


Please contact the factory for pricing, availability on Tape-and-Reel options.

TOPSIDE MARK INSTRUCTIONS:



Line 1: Zywyn (logo)
 Line 2: Zywyn Part Number "ZT232LEEY", Space " ", Date Code (Prod Year & Week)
 Line 3: Lot #, dot and Country ".T"
 Note: Pin # 1 "Δ" Indicator Required if no mold dimple

BOTTOMSIDE MARK INSTRUCTIONS:



No Bottom -side Marking

Zywyn Corporation

Headquarters and Sales Office

1270 Oakmead Parkway, Suite 201 • Sunnyvale, CA 94085 • Tel: (408) 733-3225 • Fax: (408) 733-3206

Email: sales@zywyn.com • www.zywyn.com

Zywyn Corporation reserves the right to make changes to any products described herein. Zywyn does not assume any liability arising out of the application or use of any product or circuit described herein; neither does it convey any license under its patent rights nor the rights of others.

© 2010 Zywyn Corporation

