

2.5Gb/s CWDM DFB LC TOSA with Isolator

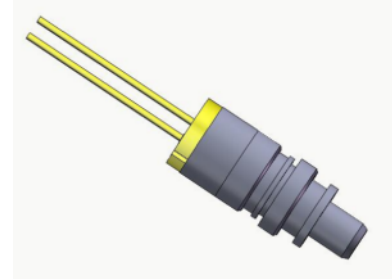
ZT713-6424-xx

1 Applications

- Telecommunication
- Data communication

2 Features

- S band, C band or L band CWDM directly modulate DFB laser diode
- -20-85℃ operation temperature range
- LC Receptacle
- Data rate can be from 1.3Gbps to 2.7Gbps



3 Performance Specifications

3.1 Absolute Maximum Ratings

Table.1 Absolute maximum ratings

Parameter	Symbol	Min.	Max.	Unit	Comments
Storage Temperature	T_{stg}	-40	85	°C	-
Operating Temperature	T_{op}	-20	85	°C	-
Storage and Operating Humidity	-	-	85	%	-
Forward Current(LD)	I_F	-	150	mA	
Reverse Voltage(LD)	V_{RL}	-	2	V	-
Reverse Voltage(PD)	V_{RD}	-	15	V	

Forward Current(PD)	I_{FD}	-	2	mA	
Lead Soldering temperature	-	-	260	°C	
Lead Soldering time	-	-	10	s	

3.2 E -O and O-E characteristics

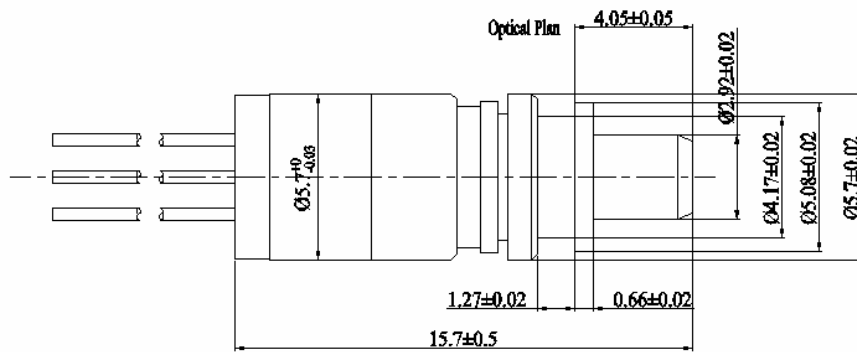
Table.2 E-O and O-E characteristics ($T_c=25\pm 2$, unless otherwise noted)

Parameter	Symbol	Min.	Typ.	Max.	Unit	Condition
Threshold current	I_{th}	-	10	15	mA	CW
Operating voltage	V_f	-	-	1.8	V	CW, $I_f=I_{op}$
Optical output power	P_f	1.0	-	2.0	mW	CW, $I_{op}=I_{th}+20mA$
Center Wavelength	λ_c	λ_c	λ_c	$\lambda_c +1$	nm	CW, $I_{op}=I_{th}+20mA$
		$\lambda_c -6.5$	λ_c	$\lambda_c +6.5$		CW, $I_{op}=I_{th}+20mA$ $T_c=-20\sim +85$
Spectral Width(-20dB)	$\Delta\lambda$	-	-	1	nm	CW, $I_{op}=I_{th}+20mA$
Side Mode Suppression Ratio	SMSR	35	-	-	dB	CW, $I_{op}=I_{th}+20mA$
Monitor current	I_m	0.1	-	1.5	mA	CW, $I_{op}=I_{th}+20mA$
Rise/Fall time	T_r/T_f	-	80	120	ps	$I_{op}=I_{th}$, 20%~80%
Tracking Error	TE	-1.5	-	1.5	dB	CW, APC $TE=10\log(P_f(TC)/P_f(25))$

						Tc=-20~+85□
Tracking Error	TE	-1.2	-	1.2	dB	CW, APC TE=10log(Pf(TC)/Pf(25□)) Tc=-0~+70□

4 Outline dimension and Pin Descriptions

Package Dimensions (Unit : mm)



Pin Configuration (BOTTOM VIEW)

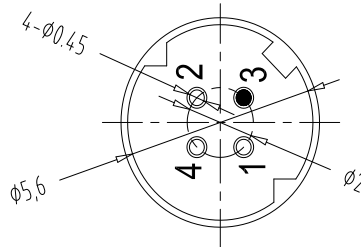


Table.3 Pin Descriptions

No.	Pin Name	Comments
-----	----------	----------

1	LD-	
2	LD+/PD-	
3	Case	
4	PD+	

5 Order Information

Z	T	7	1	3	-	6	4	2	4	-	xx
ZKTeI	TOSA	CWDM	with Isolator	1.0~2.0mW	-	2.5Gbps	-20~85℃	Type C	LC Receptacle	-	CWDM Wavelength Code

CWDM Code Table

Center Wavelength(nm)	Code	Center Wavelength(nm)	Code
1271	27	1471	47
1291	29	1491	49
1311	31	1511	51
1331	33	1531	53
1351	35	1551	55
1371	37	1571	57
1391	39	1591	59
1411	41	1611	61

6 For more information:

Shaoxing ZKTeI Equipment Co., LTD
 No.66#-46, Jiaoyu Road, Paojiang Industrial Zone,
 Shaoxing City, Zhejiang Prov. China 312071
www.ZKTeI.com.cn
 Tel: +86-575-88035326
 Fax: +86-575-88039030
 Email: sales@zktel.com.cn

When the ambient is reaching 85C max as declared, the internal case is hot surface please don't touch.



