

Model name

ZT 30-522

Name of series Output power: 4 types in 30W ~ 170W

Output voltage code

- 522: 5V, +12V, -12V
- 5FF: 5V, +15V, -15V
- 525: 5V, +12V, -5V

Features

- CE marking (Low Voltage Directive)
- Triple output
12 models, 30W, 60W, 90W, 170W
- Wide input voltage range:
100/200VAC user selectable
- Isolation between CH1 (5V) and ±CH
- Compact, low profile and board type
- 1 year warranty

Specifications

1. Input voltage range	85 ~ 132VAC / 170 ~ 265VAC (47 ~ 63Hz), 230 ~ 330VDC user selectable
2. Output voltage range	CH1: +5V (5.0 ~ 5.25V), CH2: Fixed, CH3: Fixed
3. Cooling	Convection cooling
4. Operating ambient temperature (Standard mounting)	-10 ~ +60°C ZT30, 60, 90 Output derating -10 ~ +50°C: 100%, +60°C: 70% ZT170: Forced air cooling -10 ~ +50°C: 100%, +60°C: 70% (0.7m/S) ZT170: Convection cooling CH1 ... -10 ~ +25°C: 15A, +30°C: 13A, +40°C: 12A, +50°C: 10A, +60°C: 8A CH2, CH3 ... -10 ~ +50°C: 100%, +60°C: 70%
5. Withstand voltage	Input-output: 3.75kVAC, Input-chassis: 2.5kVAC one minute each
6. Safety standard	Approved by UL1950 , CSA950 and EN60950
7. EMI	Conforms to VCCI-class B, FCC class B and VDE class B
8. Functions	Over voltage protection (CH1), Over current protection

Product lineup

Note 1

Model name	CH	Nominal output voltage	Min. output current	Max. output current	Max. output power	Total max. output power	UL	CSA	EN	
ZT30	ZT30-522	CH1	5V	0.3A	3.0A	15.0W	33.0W	○	○	○
		CH2	+12V	0A	1.2A (2.0A)	14.4W	33.0W	○	○	○
		CH3	-12V	0A	0.3A	3.6W	33.0W	○	○	○
	ZT30-5FF	CH1	5V	0.3A	3.0A	15.0W	34.5W	○	○	○
		CH2	+15V	0A	1.0A (2.0A)	15.0W	34.5W	○	○	○
		CH3	-15V	0A	0.3A	4.5W	34.5W	○	○	○
ZT30-525	CH1	5V	0.3A	3.0A	15.0W	30.9W	○	○	○	
	CH2	+12V	0A	1.2A (2.0A)	14.4W	30.9W	○	○	○	
	CH3	-5V	0A	0.3A	1.5W	30.9W	○	○	○	
ZT60	ZT60-522	CH1	5V	0.5A	5.0A	25.0W	61.0W	○	○	○
		CH2	+12V	0A	2.5A (3.5A)	30.0W	61.0W	○	○	○
		CH3	-12V	0A	0.5A	6.0W	61.0W	○	○	○
	ZT60-5FF	CH1	5V	0.5A	5.0A	25.0W	62.5W	○	○	○
		CH2	+15V	0A	2.0A (3.5A)	30.0W	62.5W	○	○	○
		CH3	-15V	0A	0.5A	7.5W	62.5W	○	○	○
	ZT60-525	CH1	5V	0.5A	5.0A	25.0W	57.5W	○	○	○
		CH2	+12V	0A	2.5A (3.5A)	30.0W	57.5W	○	○	○
		CH3	-5V	0A	0.5A	2.5W	57.5W	○	○	○

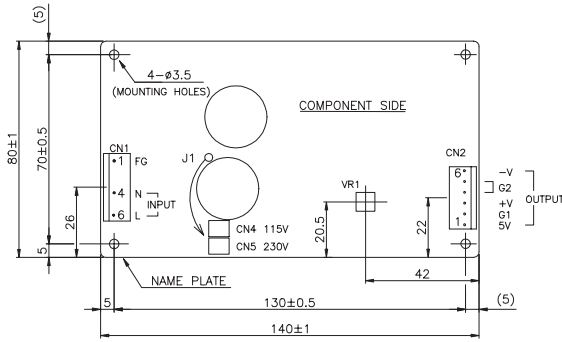
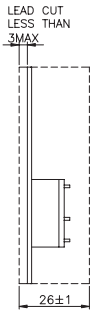
Note 1

Model name	CH	Nominal output voltage	Min. output current	Max. output current	Max. output power	Total max. output power	UL	CSA	EN	
ZT90	ZT90-522	CH1	5V	1A	10.0A	50.0W	92.0W	○	○	○
		CH2	+12V	0A	3.0A (4A)	36.0W	92.0W	○	○	○
		CH3	-12V	0A	0.5A	6.0W	92.0W	○	○	○
	ZT90-5FF	CH1	5V	1A	10.0A	50.0W	92.0W	○	○	○
		CH2	+15V	0A	2.5A (4A)	37.5W	95.0W	○	○	○
		CH3	-15V	0A	0.5A	7.5W	95.0W	○	○	○
ZT90-525	CH1	5V	1A	10.0A	50.0W	88.5W	○	○	○	
	CH2	+12V	0A	3.0A (4A)	36.0W	88.5W	○	○	○	
	CH3	-5V	0A	0.5A	2.5W	88.5W	○	○	○	
ZT170	ZT170-522	CH1	5V	1A	20.0A	100.0W	172.0W	○	○	○
		CH2	+12V	0A	5.0A (6A)	60.0W	172.0W	○	○	○
		CH3	-12V	0A	1.0A	12.0W	172.0W	○	○	○
	ZT170-5FF	CH1	5V	1A	20.0A	100.0W	175.0W	○	○	○
		CH2	+15V	0A	4.0A (6A)	60.0W	175.0W	○	○	○
		CH3	-15V	0A	1.0A	15.0W	175.0W	○	○	○
	ZT170-525	CH1	5V	1A	20.0A	100.0W	165.0W	○	○	○
		CH2	+12V	0A	5.0A (6A)	60.0W	165.0W	○	○	○
		CH3	-5V	0A	1.0A	5.0W	165.0W	○	○	○

Note 1: Duration of peak current shown in (): 5 seconds max.
 ● Request customer specification for further details of specifications, outline, characteristics, etc.
 Read the instruction manual before usage.
 ● Contact us about delivery before ordering.

○: Safety standard approved

ZT30



● Recommended Noise Filter

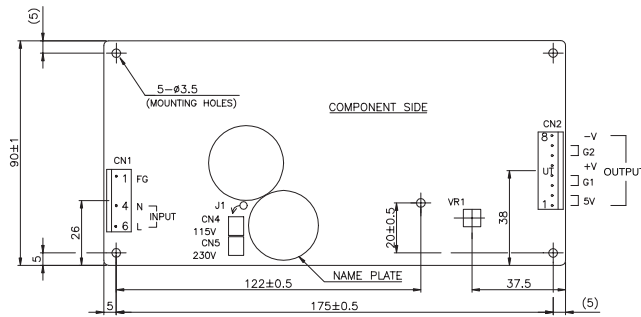
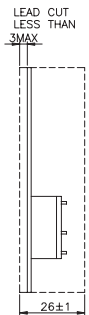
MAW-1202-22



P134

(Unit: mm)

ZT60



● Recommended Noise Filter

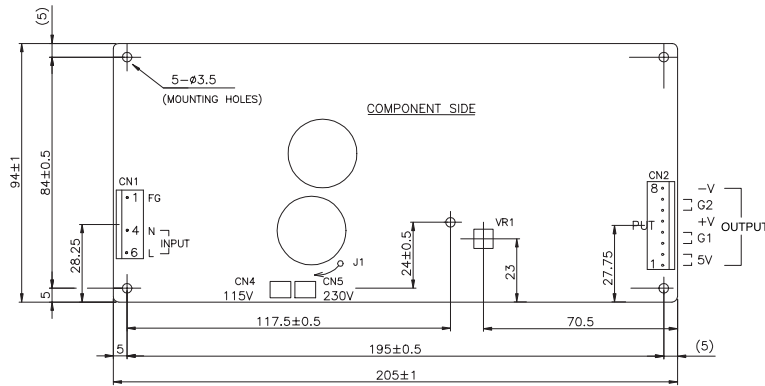
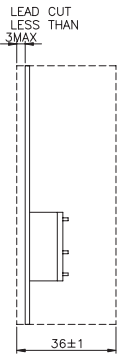
MAW-1203-22



P134

(Unit: mm)

ZT90



● Recommended Noise Filter

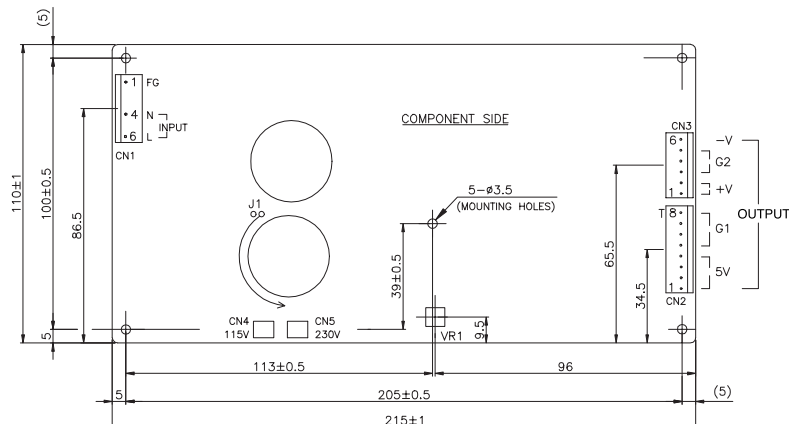
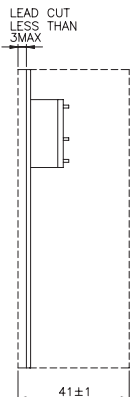
MB1206



P137

(Unit: mm)

ZT170



● Recommended Noise Filter

MB1206



P137

(Unit: mm)