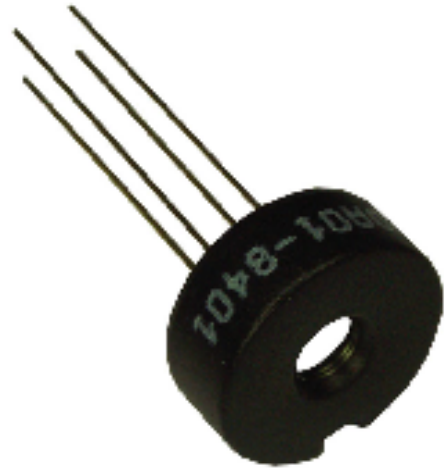


ZTP-315D1

Thermometrics IR Sensor



This thermopile sensor is used for non-contact surface temperature measuring. The ZTP-315D1 model consists of thermo-elements, a flat IR filter, thermistor for temperature compensation and a hermetically-sealed TO-5(39) package with heat sink. There is also a variety of filters available to help maximize performance in specific applications.

Applications

- Non-contact thermometers
- Climate control in vehicles
- Skin thermometers

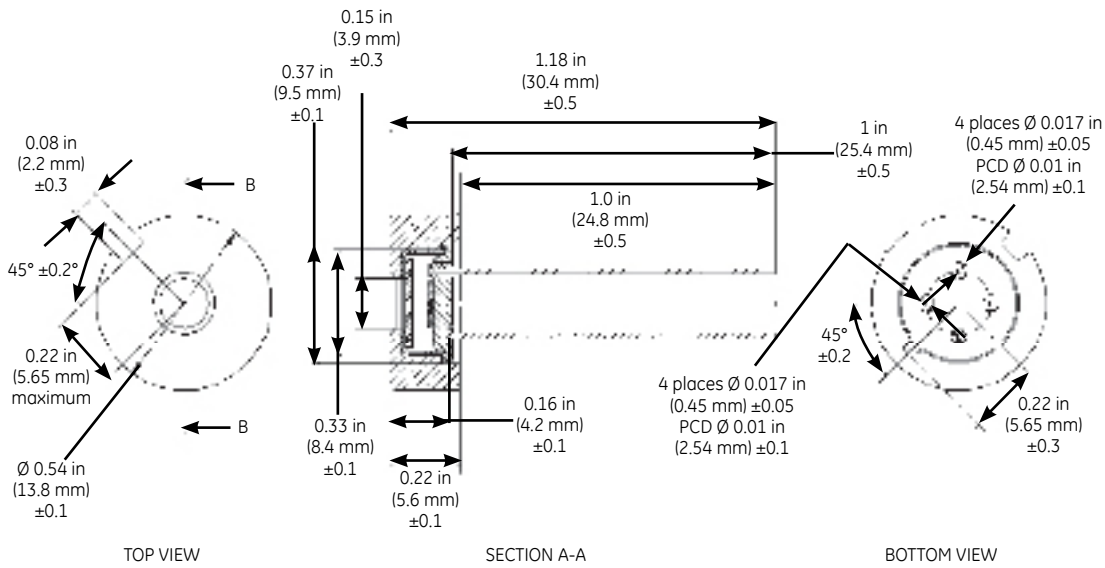
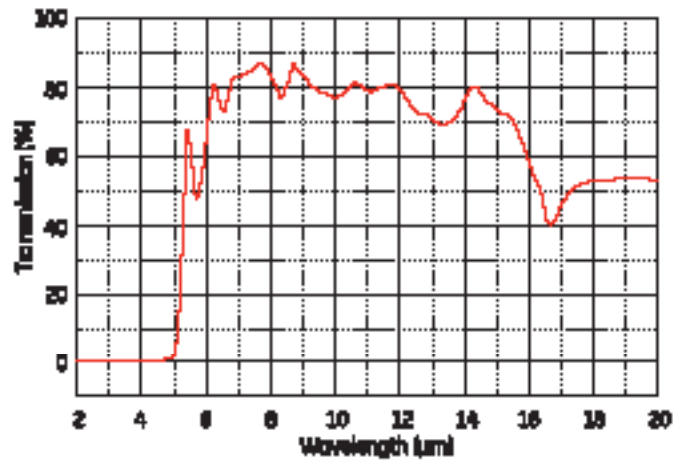
Features

- High sensitivity
- Included ambient temperature (thermistor) sensor for compensation
- Fast response time



ZTP-315D1 Specifications

Parameter	Unit	Value	Condition
Chip Size	mm ²	3.6 × 3.6	-
Diaphragm Size	mm ²	2.6 × 2.6	-
Number of Couples	-	68	-
Active Area	mm ²	1.3 × 1.3	-
Internal Resistance	kΩ	50 ±20%	-
Resistance T.C.	% °F (°C)	< 0.12	-
Responsivity	V/W	32 ±30%	500K, 1 Hz
Responsivity T.C.	% °F (°C)	-0.11	Typical
Noise Voltage	nV rms	30	R.M.S, Typical
NEP	nW/√Hz	0.94	500K, 1 Hz, Typical
Detectivity	cn √Hz/W	1.38E + 08	500K, 1 Hz, Typical
Time Constant	ms	24	500K, 1 Hz, Typical
Operating Temperature	°F (°C)	-4°F to 212°F (-20°C to 100°C)	-
Storage Temperature	°F (°C)	-40°F to 248°F (-40°C to 120°C)	-
Thermistor Resistance	kΩ	30 ±1%	@ 77°F (25°C)
Beta	K	3811 ±1%	
Package Type	-	TO-5	-



ZTP-315D1 dimensions



www.ge-mcs.com

920-162C