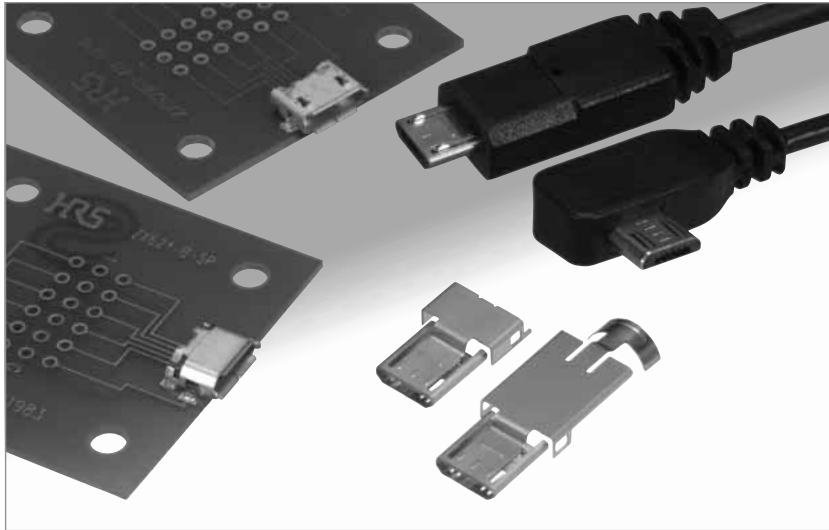


NEW

Micro-USB connectors meeting requirements of USB 2.0 Standard

ZX Series



Note: Contact us to ascertain whether a TID number has been acquired for an individual product.

Overview

Extremely small high reliability connectors complying with physical, electrical and environmental requirements of Micro-USB standard (USB 2.0).

Receptacles and plugs are available in a wide variety of mounting and termination configurations, permitting their use in various applications.

Features

1. Size reduction

Compared with the standard Mini-B connectors, the size of ZX connectors is reduced by approximately 60% while still allowing a high-speed data transfer of 480 Mbps, specified in USB 2.0.

2. Receptacle styles

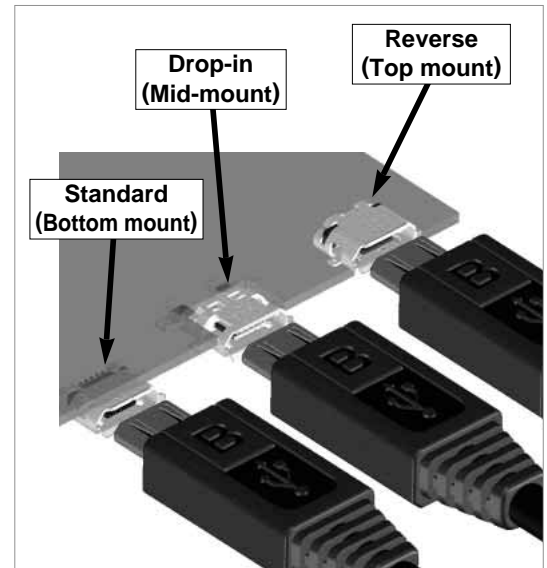
Two interface configurations: Micro-B and Micro-AB in standard, mid-mount and reverse mounting styles. SMT and through-hole (shell) PC board terminations

3. Plug styles

Corresponding to the receptacle styles, two interface configurations: Micro-B and Micro-A, with direct wire or PCB wire soldering. Several plug styles can be used for data transmission, earphone or charging applications.

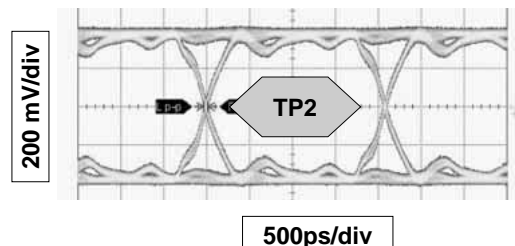
4. High durability

Unique contact and lock configuration assures high durability while maintaining easy insertion / disconnection. Fully mated condition (when mated with corresponding HRS connector) is confirmed by a definite tactile sensation



USB 2.0 Hi-Speed (480 Mbps)

Eye pattern measurement results:
Measured with USB 2.0 cable 2.4 m long



■ Specifications

Ratings	Current rating	1 A (per contact) or 1.8 A (contacts No. 1 and 5) and 0.5 A (contacts No. 2, 3, and 4)	Voltage rating	30 V AC
			Operating temperature range	-30°C to +85 °C (Note1)
			Storage temperature range	-30 °C to +85°C

Item	Specification	Conditions
1. Contact resistance	30 mΩ max.	100 mA
2. Withstanding voltage	No flashover or insulation breakdown	100 V AC / 1 minute
3. Capacitance	2 pF max.	Between adjacent contacts at 1,000 Hz (AC voltage)
4. Durability	Contact resistance: Rise from initial value of 10 mΩ max.	10,000 cycles
5. Total insertion/removal force	Insertion force: 35 N max., Removal force: 8 N min.	Mated with corresponding connector

Note1: Includes temperature rise caused by current flow.

Note2: Information contained in this catalog represents general requirements for this Series. Contact us for the drawings and specifications for a specific part number shown.

■ Materials

● Receptacles

Part	Material	Finish	Remarks
Insulator	LCP	Micro-B: Black, Micro-AB: Gray	UL94V-0
Contacts	Copper alloy	Selective gold plated	_____
Shell	Stainless steel	Tin alloy plating	_____

● Plugs

Part	Material	Finish	Remarks
Insulator	Synthetic resin	Micro-A: White, Micro-B: Black	UL94V-0
Contacts	Copper alloy	Selective gold plated	_____
Lock spring	Stainless steel	_____	_____
Shell	Stainless steel	Nickel plated or unfinished	_____

■ Ordering information

● Receptacles

ZX 62 RD - B - 5 P * 8
 ① ② ③ ④ ⑤ ⑥ ⑦ ⑧

● Plugs







ZX 40 - B - 5 S * - UNIT
 ① ② ④ ⑤ ⑥ ⑦ ⑨

ZX 40 - B - SLDA
 ① ② ④ ⑨

① Series name	ZX	
② Termination style	10's: Right-angle PCB wire, SMT 20's: Straight, PCB wire 40's: Direct wire 60's: Right-angle, PCB wire 80's: Cradle SMT	
③ Board mounting style (Receptacles)	Blank	Standard (Bottom mount)
	D	Standard (Bottom mount) through hole
	R	Reverse (Top mount)
	RD	Reverse (Top mount) through hole
	M	Drop-in (Mid-mount)
④ Mating side configuration	A	Micro-A
	B	Micro-B
	AB	Micro-AB
⑤ Number of contacts	5	
⑥ Contact type	P	Receptacle- Male
	S	Plug - Female
⑦ Serial No.		
⑧ Shell termination style - Receptacles	Blank	SMT
	8	Through hole (solder tab length: 0.8mm)
⑨ Components-plugs	UNIT	Assembly (Insulator/contact/lock)
	SLD*	Cover (Note 1)

Note 1: Classifiers such as A, B, and C are entered for *.

■ Product Styles Table

Interface	Receptacle	Plug
Micro-A		
Micro-B		
Micro-AB		

■ Configurations

	Mating side configuration	Application	Mounting, termination styles/wire attachment	Part Number	3D Image	Page
R e c e p t a c l e s	Micro-B	Standard	SMT	ZX62-B-5PA(11)		4
			SMT + DIP	ZX62D-B-5PA8		4
		Reverse	SMT	ZX62R-B-5P		5
		Drop-in	SMT	ZX62M-B-5P(02)		5
	Micro-AB	Standard	SMT	ZX62-AB-5PA(11)		6
			SMT + DIP	ZX62D-AB-5P8		6
		Reverse	SMT	ZX62R-AB-5P		7
			SMT + DIP	ZX62RD-AB-5P8		7
P l u g s	Micro-B	Data	Direct wire soldering	Assembly (insulator/contacts/lock) :ZX40-B-5S-UNIT(12) Cover-top :ZX40-B-SLDA Cover-bottom :ZX40-SLDB		9 and 10
			PCB wire soldering (right angle, through hole)	Assembly (insulator/contacts/lock) :ZX10-B-5S-UNIT(12) Cover-top :ZX10-B-SLDA Cover-bottom :ZX10-SLDB(3.3)		11 and 12
		Earphone	PCB wire soldering (straight, through hole)	Assembly (insulator/contacts/lock) :ZX20-B-5S-UNIT(12) Cover :ZX20-B-SLDC		13
		Charging	PCB wire soldering (SMT)	Assembly (insulator/contacts/lock) :ZX64-B-5S-UNIT(14) Cover-top :ZX64-B-SLDA Cover-bottom :ZX64-SLDB		14 and 15
		Charging Earphone	PCB wire soldering (SMT)	Assembly (insulator/contacts/lock) :ZX64-B-5S-UNIT(14) Cover :ZX64-B-SLDC		14 and 16
	Micro-A	Data	Direct wire soldering	Assembly (insulator/contacts/lock) :ZX40-A-5S-UNIT Cover-top :ZX40-A-SLDA Cover-bottom :ZX40-SLDB		17 and 18
C r a d l e s	Micro-B	Cradle	SMT + DIP	ZX80-B-5S	With lock	19
				ZX80-B-5SA	Without lock	19

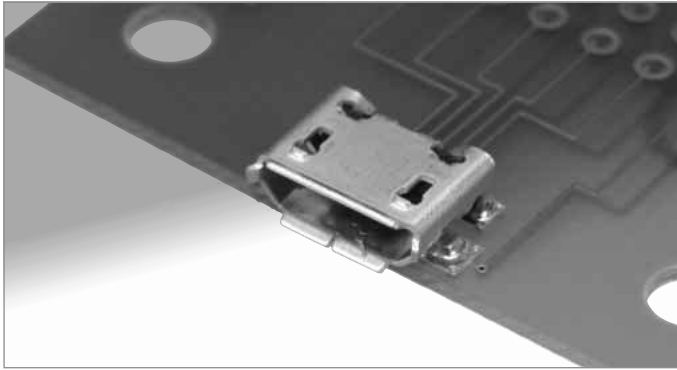
Note: 1. Part numbers in the Plugs section of the above table list the Assembly (insulator/contacts/locks) and the corresponding Shields/Covers.

Note: 2. Optional Printed Circuit boards for the Plugs are shown for reference only. Not supplied with applicable connectors.

Note: 3. The color of the insulators body in the Assembly (insulator/contacts/lock) shown in the 3D Image column above is blue for clarity. Refer to the Materials (Page 2) for correct colors.

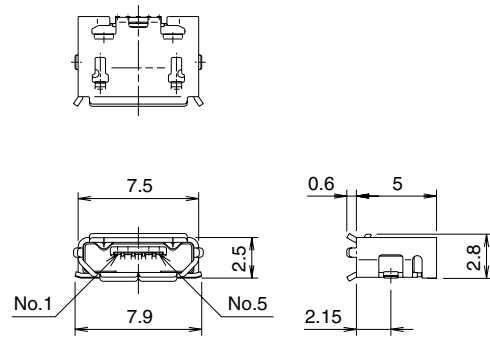
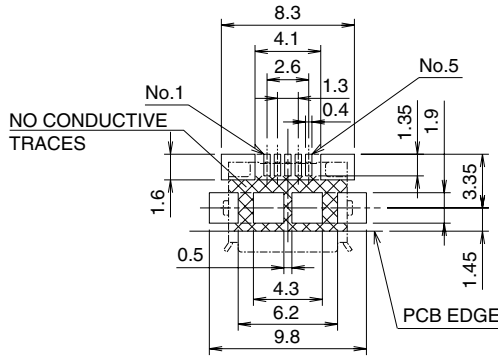
■ Receptacles

● Micro B - Standard (Bottom mount), Shell SMT



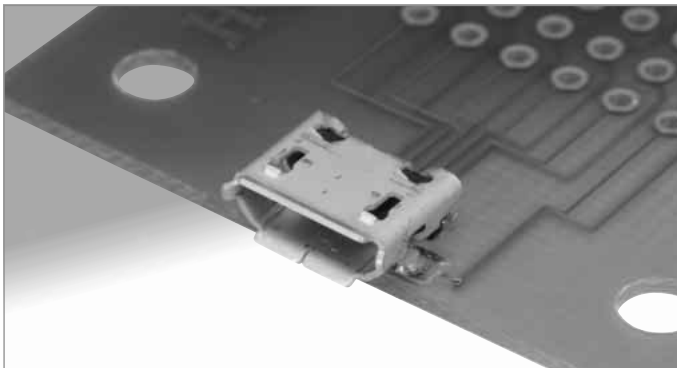
Part Number	CL No.	Packaging
ZX62-B-5PA(11)	242-0033-8-11	3,500 pieces per reel

■ Recommended PCB mounting pattern



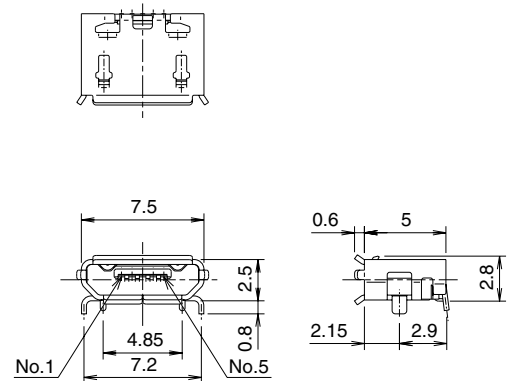
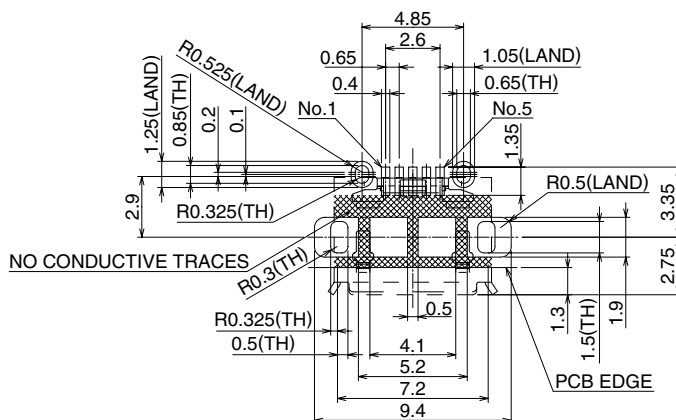
● Micro B - Standard (Bottom mount), Shell through hole

All dimensions: mm



Part Number	CL No.	Packaging
ZX62D-B-5PA8	242-0056-3	2,000 pieces per reel

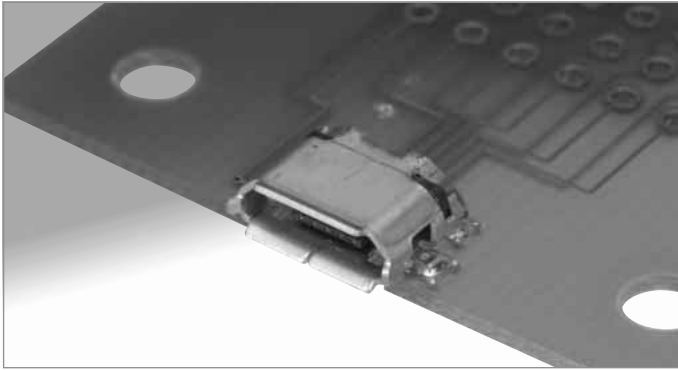
■ Recommended PCB mounting pattern



All dimensions: mm

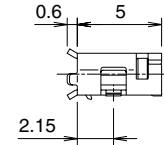
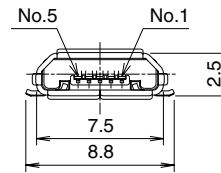
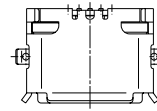
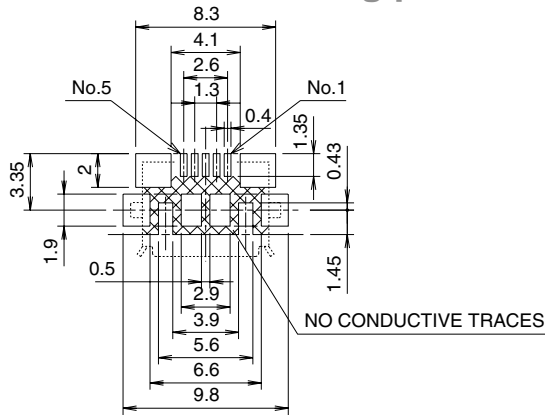
Receptacles

Micro B - Reverse (Top mount) Shell SMT



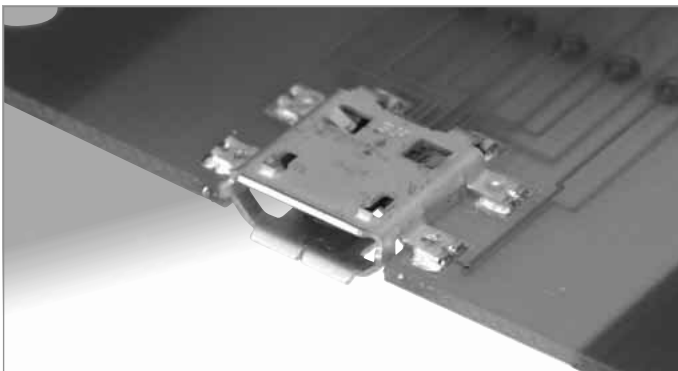
Part Number	CL No.	Packaging
ZX62R-B-5P	242-0028-8	2,000 pieces per reel

Recommended PCB mounting pattern

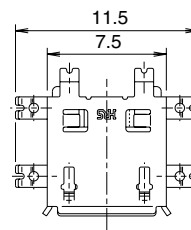


Micro B - Drop-in (Mid-mount), Shell SMT

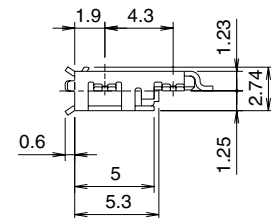
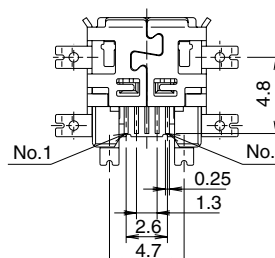
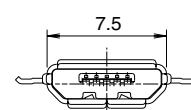
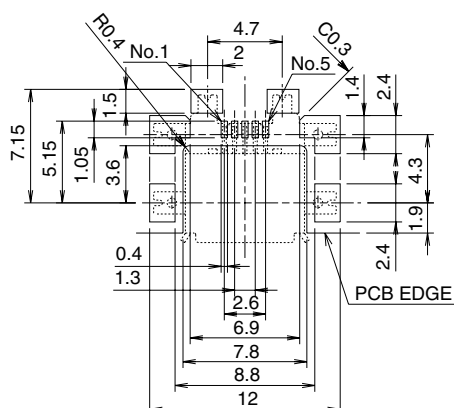
All dimensions: mm



Part Number	CL No.	Packaging
ZX62M-B-5P(02)	242-0024-7-02	2,000 pieces per reel



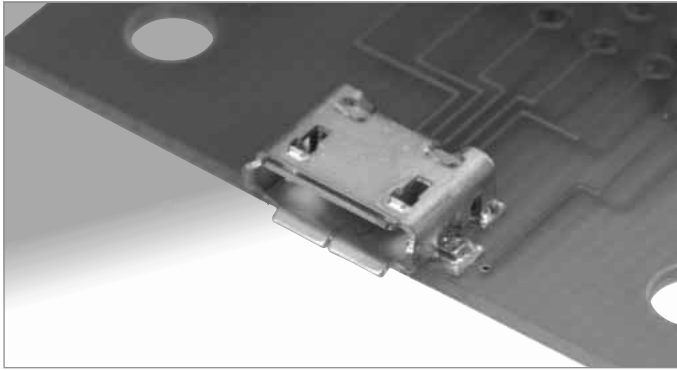
Recommended PCB mounting pattern



All dimensions: mm

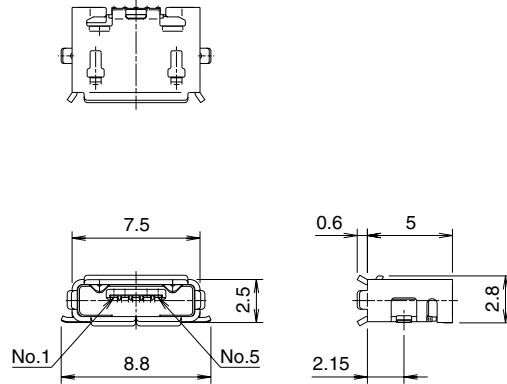
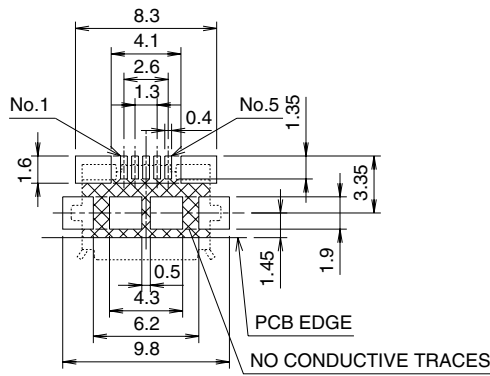
■ Receptacles

● Micro AB - Standard (Bottom mount), Shell SMT



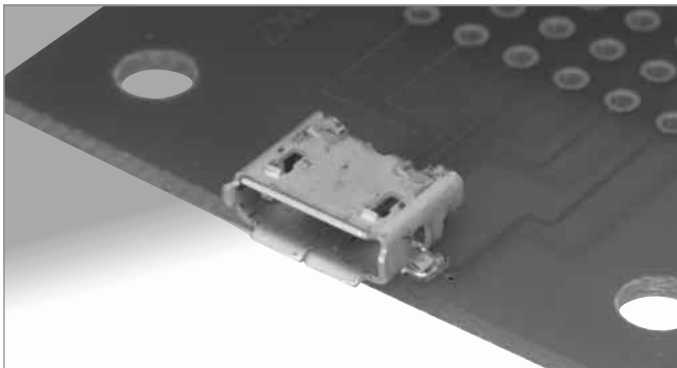
Part Number	CL No.	Packaging
ZX62-AB-5PA(11)	242-0045-7-11	3,500 pieces per reel

■ Recommended PCB mounting pattern



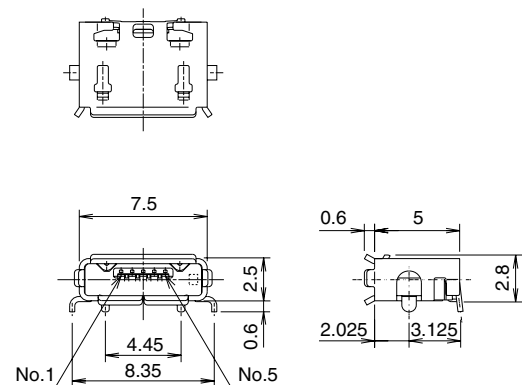
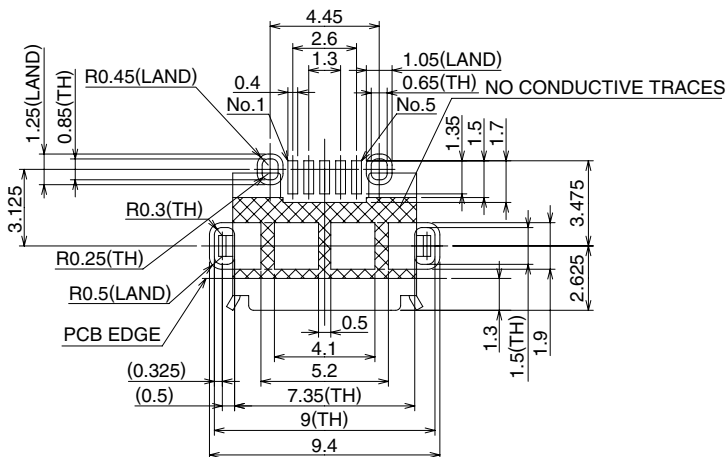
● Micro AB - Standard (Bottom mount), Shell through hole

All dimensions: mm

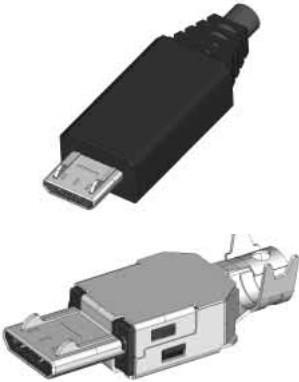
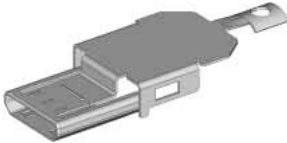

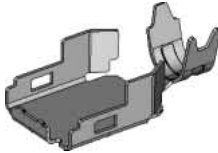



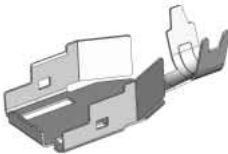

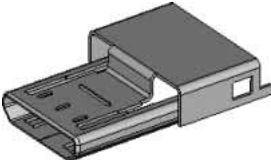


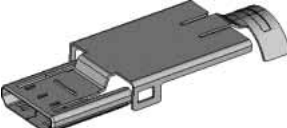

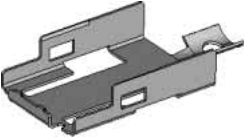


Part Number	CL No.	Packaging
ZX62D-AB-5P8	242-0027-5	2,000 pieces per reel

■ Recommended PCB mounting pattern

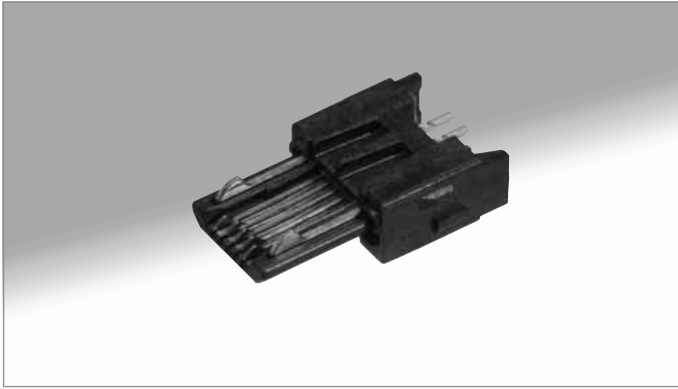


All dimensions: mm

Plugs – assembled (not-terminated, without overmold)	Components
<p data-bbox="236 165 692 208">ZX40 - Direct wire soldering</p> 	 <p data-bbox="1235 242 1469 306">ZX40-*-SLDA Cover-top</p>  <p data-bbox="1235 370 1469 476">ZX40-*-5S-UNIT Assembly (insulator/contacts/lock) *No PCB required</p>  <p data-bbox="1235 512 1469 576">ZX40-SLDB Cover-bottom</p>
<p data-bbox="236 638 692 680">ZX10 - PCB wire soldering</p> 	 <p data-bbox="1235 715 1469 778">ZX10-B-SLDA Cover-top</p>  <p data-bbox="1235 842 1469 949">ZX10-B-5S-UNIT Assembly (insulator/contacts/lock) *SMT PCB termination</p>  <p data-bbox="1235 985 1469 1049">ZX10-SLDB Cover-bottom</p>
<p data-bbox="236 1117 692 1159">ZX20 - PCB wire soldering</p> 	 <p data-bbox="1235 1215 1469 1278">ZX20-*-SLDC Cover</p>  <p data-bbox="1235 1364 1469 1491">ZX20-*-5S-UNIT Assembly (insulator/contacts/lock) *Straight through hole PCB termination</p>
<p data-bbox="236 1527 692 1570">ZX64 - PCB wire soldering</p> 	 <p data-bbox="1235 1602 1469 1666">ZX64-*-SLDA Cover-top</p>  <p data-bbox="1235 1736 1469 1864">ZX64-*-5S-UNIT Assembly (insulator/contacts/lock) *Right angle through hole PCB termination</p>  <p data-bbox="1235 1921 1469 1985">ZX64-SLDB Cover-bottom</p>

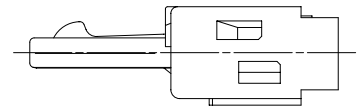
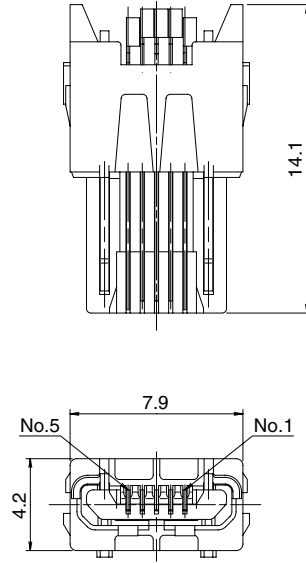
Plugs

● Micro B - Assembly (insulator/contacts/lock) – Direct wire soldering



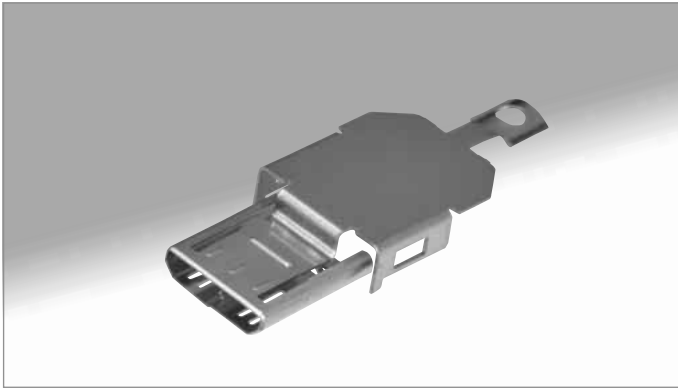
Part Number	CL No.
ZX40-B-5S-UNIT(12)	242-0002-4-12

Contact HRS for Cable Termination Procedure Manual.

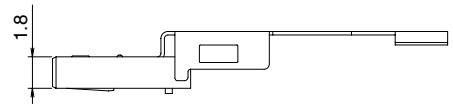
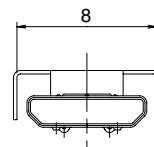
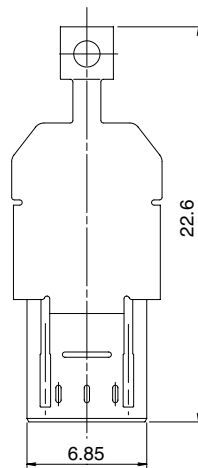


All dimensions: mm

● Micro B - Component, Cover-top - Direct wire soldering



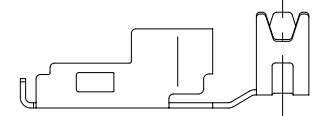
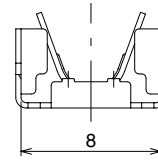
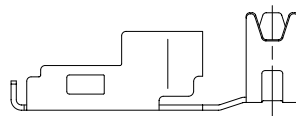
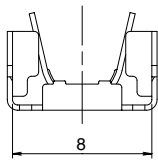
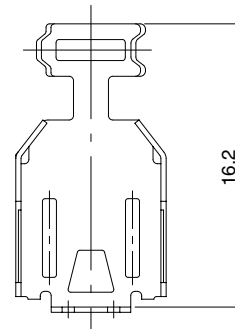
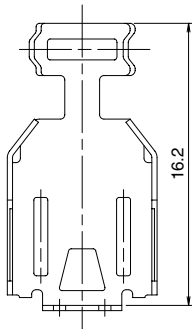
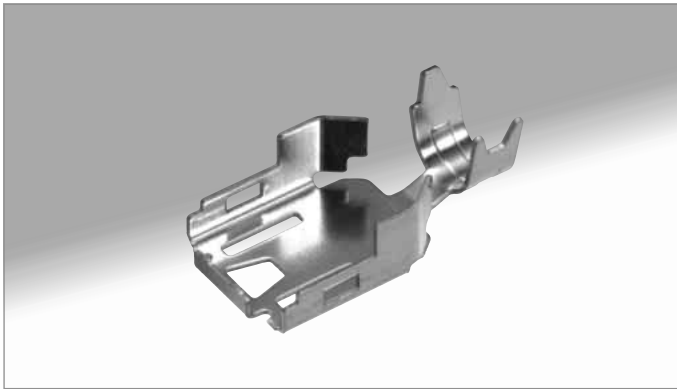
Part Number	CL No.	Packaging
ZX40-B-SLDA	242-0003-7	4,000 pieces per reel



All dimensions: mm

■ Plugs

● Micro A, Micro B - Component, Cover-bottom - Direct wire soldering



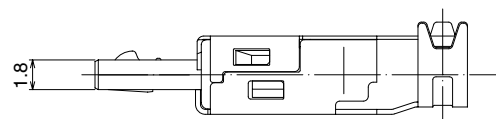
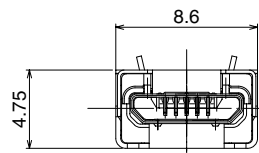
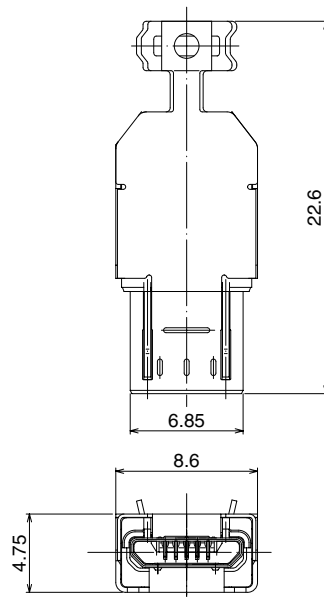
All dimensions: mm

ZX40-SLDB

ZX40-SLDB(3.3)

Part Number	CL No.	Packaging	Cable dia.
ZX40-SLDB	242-0004-0	4,000 pieces per reel	φ3.8
ZX40-SLDB(3.3)	242-0023-4		φ3.3

● Assembled



All dimensions: mm

Plugs

● Micro B - Assembly (insulator/contacts/lock) - Right angle through hole PCB wire soldering (non-direct)



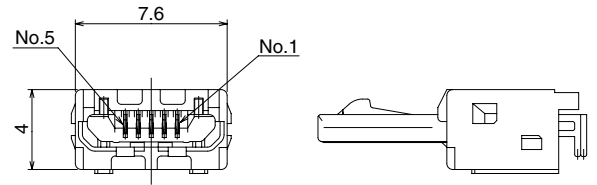
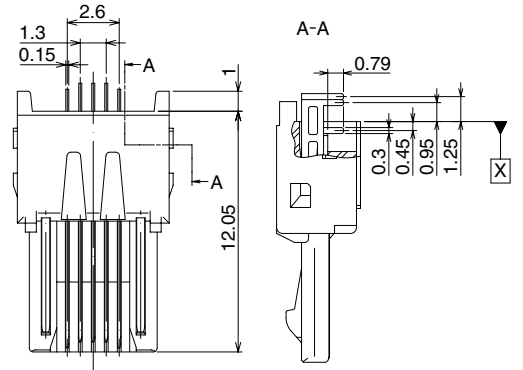
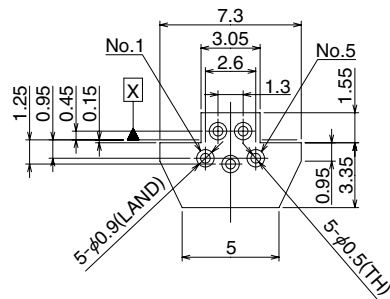
Part Number	CL No.	Packaging
ZX10-B-5S-UNIT(12)	242-0030-0-12	1,500 pieces per reel

Contact HRS for Cable Termination Procedure Manual.



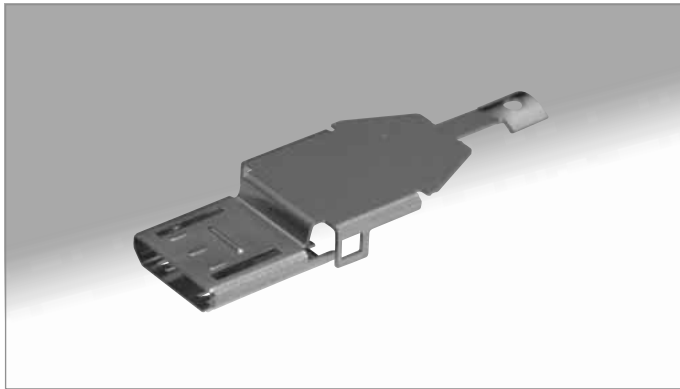
PCB mounting pattern

*PCB required (not supplied)
 Max. thickness: 0.6mm

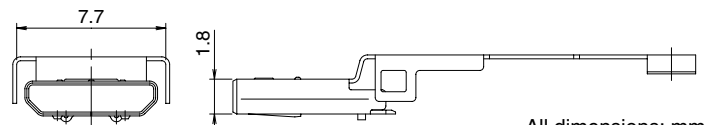
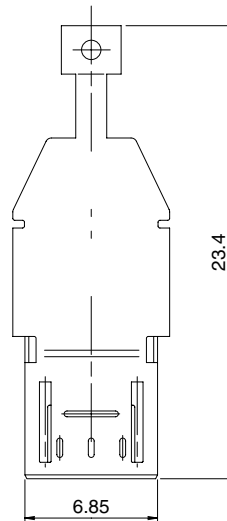


● Micro B - Component, Cover-top - Right angle through hole

All dimensions: mm



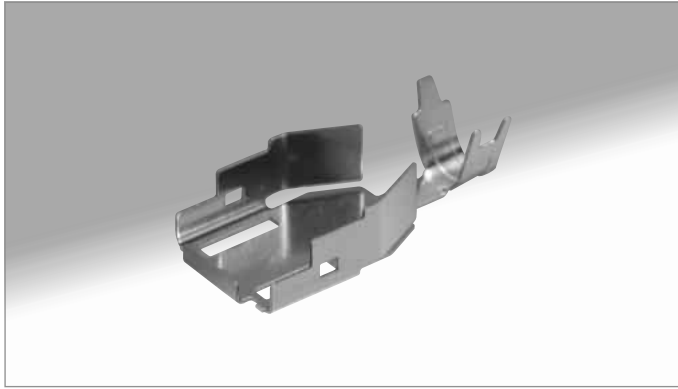
Part Number	CL No.	Packaging
ZX10-B-SLDA	242-0031-2	4,500 pieces per reel



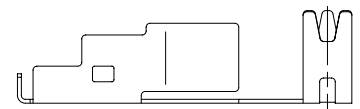
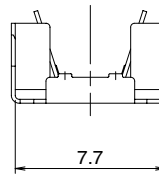
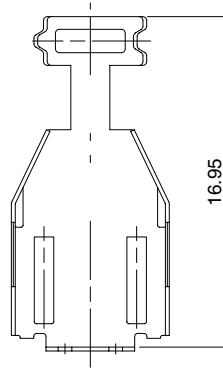
All dimensions: mm

■ Plugs

● Micro B - Component, Cover-bottom – Right angle through hole

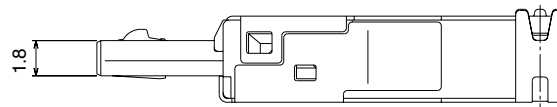
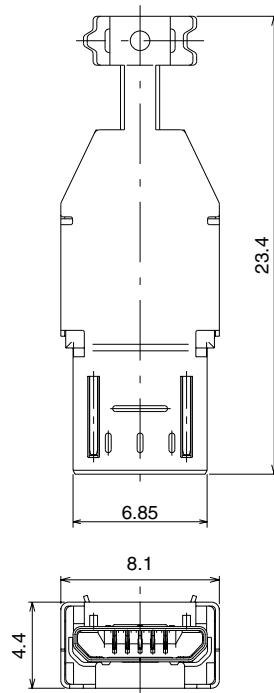


Part Number	CL No.	Packaging
ZX10-SLDB(3.3)	242-0032-5	4,500 pieces per reel



All dimensions: mm

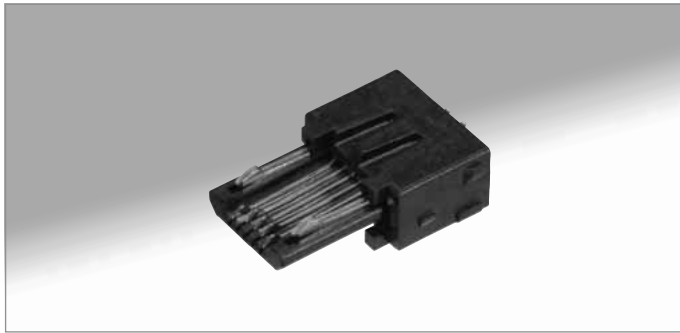
● Assembled



All dimensions: mm

Plugs

● Micro B - Assembly (insulator/contacts/lock) - Straight through hole PCB wire soldering (non-direct)

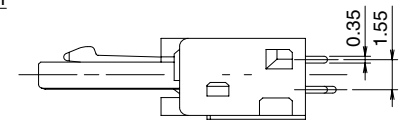
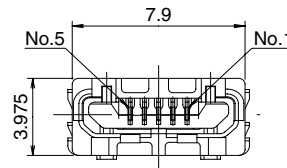
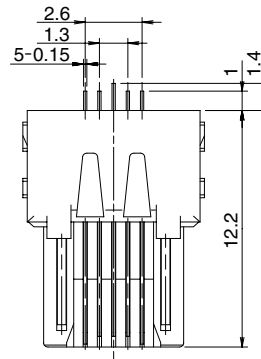
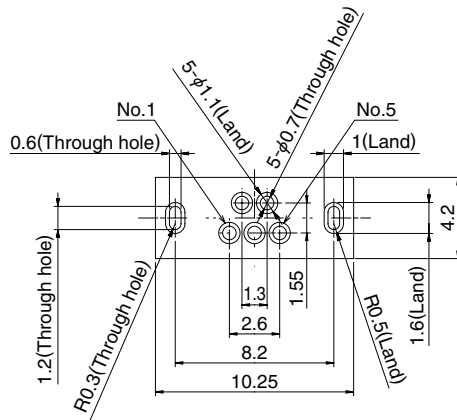


Part Number	CL No.
ZX20-B-5S-UNIT(12)	242-0012-8-12

Contact HRS for Cable Termination Procedure Manual.

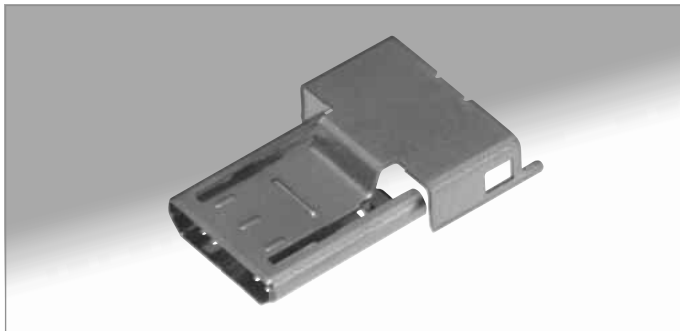
PCB mounting pattern

*PCB required (not supplied)
 Max. thickness: 0.6mm

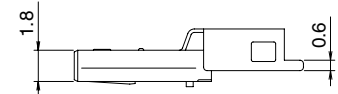
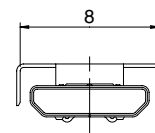
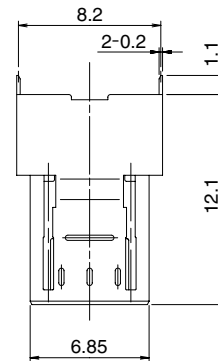


All dimensions: mm

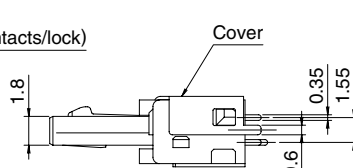
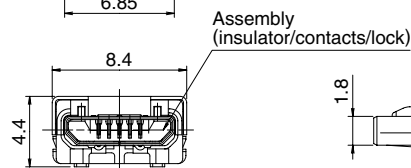
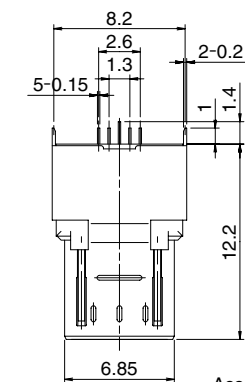
● Micro B - Component, Cover - Straight, through hole



Part Number	CL No.	Packaging
ZX20-B-SLDC	242-0022-1	4,000 pieces per reel



● Assembled



All dimensions: mm

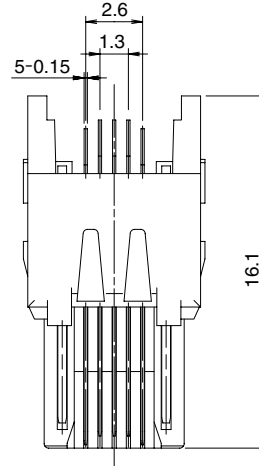
Plugs

● Micro B - Assembly (insulator/contacts/lock) - Right angle SMT

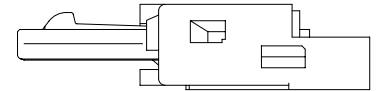
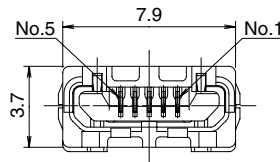
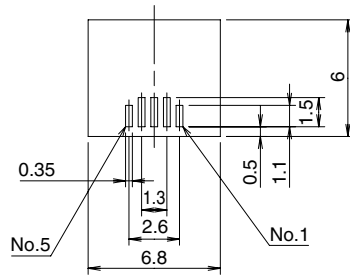


Part Number	CL No.
ZX64-B-5S-UNIT(14)	242-0009-0-14

Contact HRS for Cable Termination Procedure Manual.



PCB mounting pattern
 *PCB required (not supplied)
 Max. thickness: 1.0mm

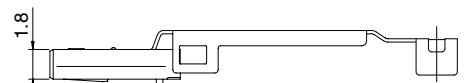
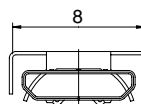
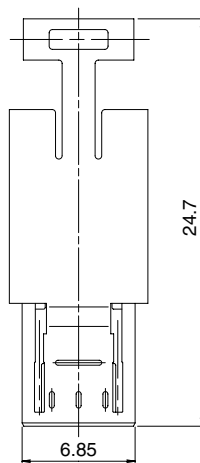


All dimensions: mm

● Micro B - Component, Cover-top – Right angle SMT



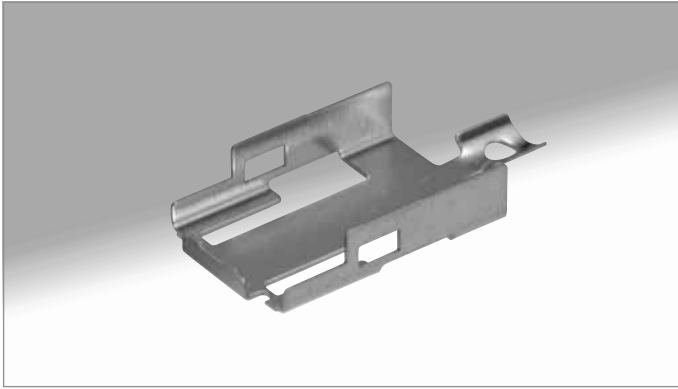
Part Number	CL No.	Packaging
ZX64-B-SLDA	242-0013-0	4,000 pieces per reel



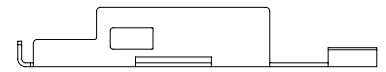
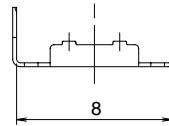
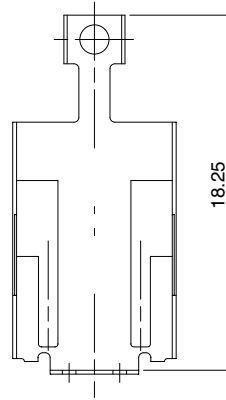
All dimensions: mm

Plugs

● Micro B - Component, Cover-bottom - Right angle SMT

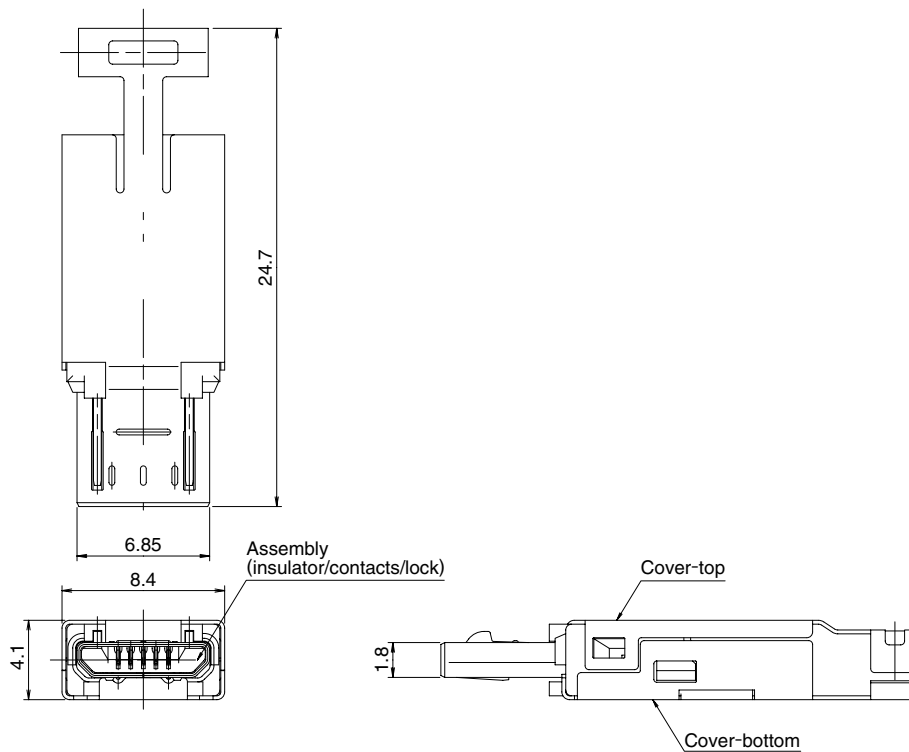


Part Number	CL No.	Packaging
ZX64-SLDB	242-0049-8	4,000 pieces per reel



● Assembled

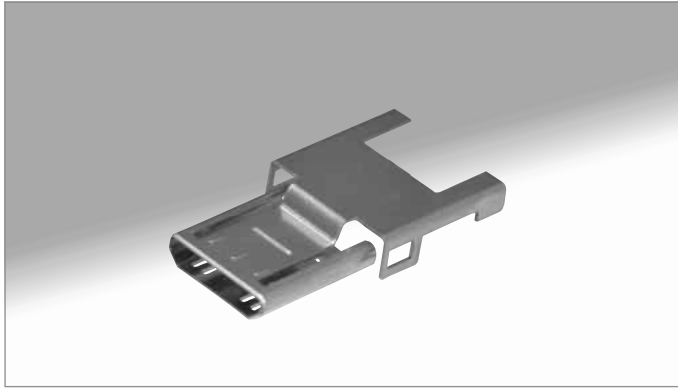
All dimensions: mm



All dimensions: mm

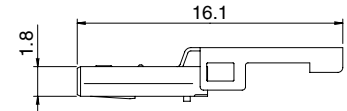
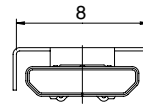
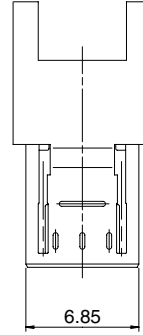
Plugs

● Micro B - Component, Shell/cover – Right angle SMT

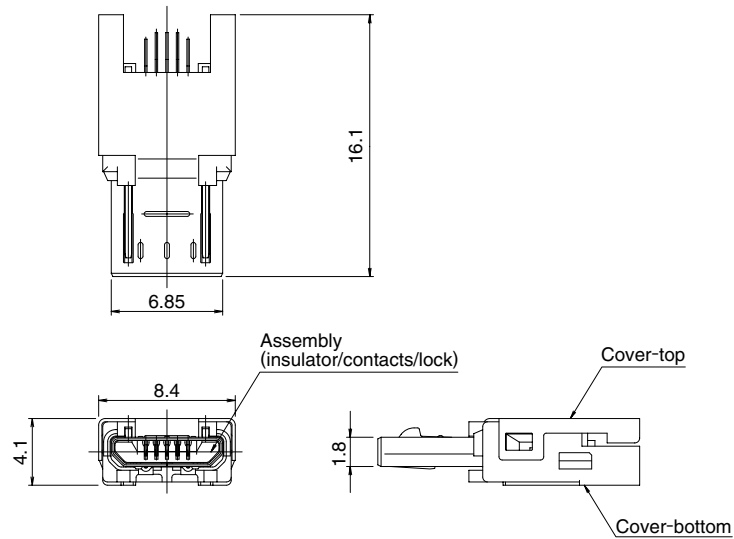


Shell/cover, without cable clamp
 This shell/cover does not require ZX64-SLDB.

Part Number	CL No.	Packaging
ZX64-B-SLDC	242-0018-4	4,000 pieces per reel



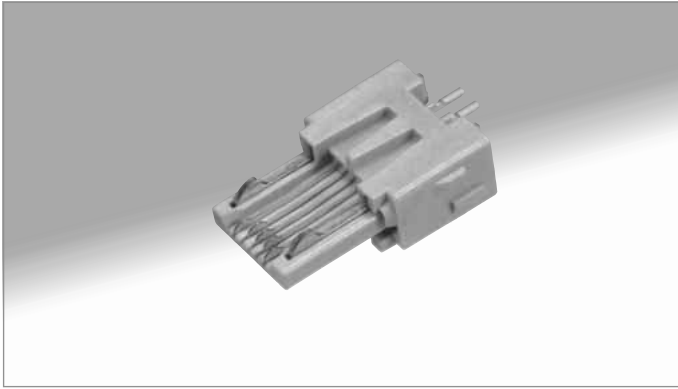
● Assembled



All dimensions: mm

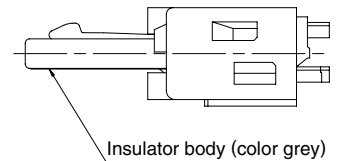
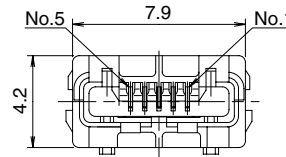
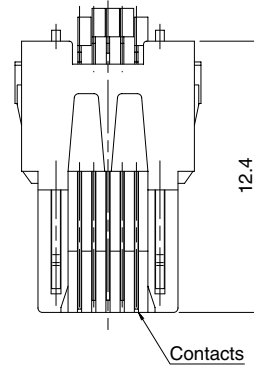
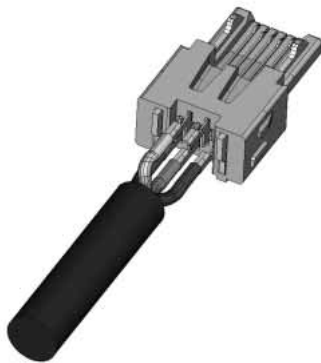
■ Plugs

● Micro A - Assembly (insulator/contacts/lock) - Direct wire soldering



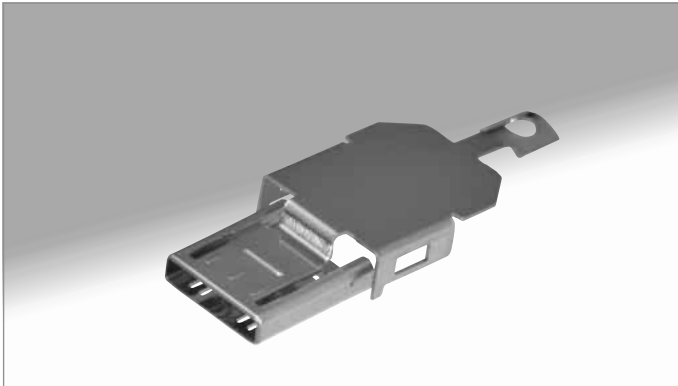
Part Number	CL No.
ZX40-A-5S-UNIT	242-0010-2

Contact HRS for Cable Termination Procedure Manual.

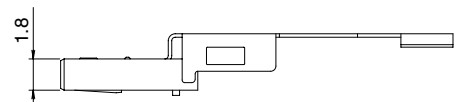
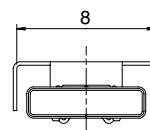
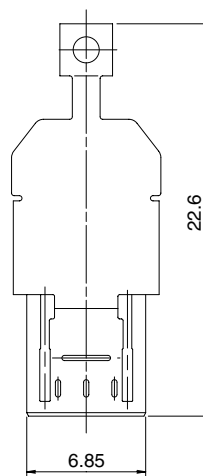


All dimensions: mm

● Micro A - Component, Cover-top - Direct wire soldering



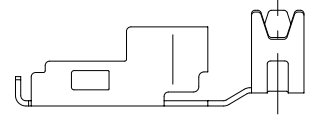
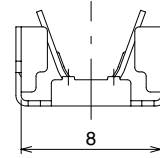
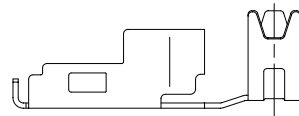
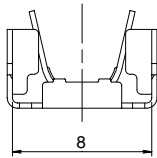
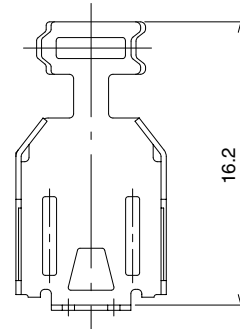
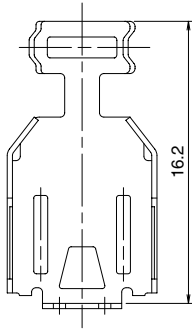
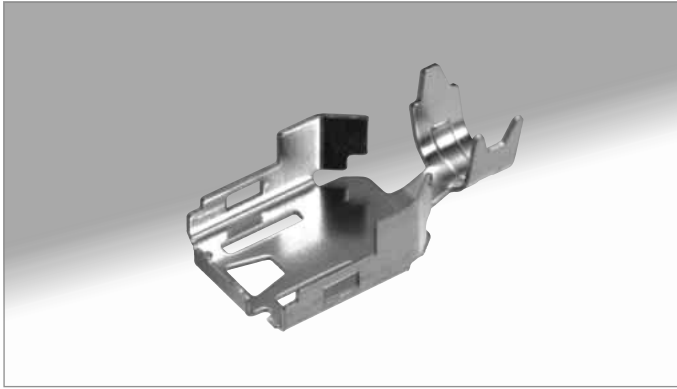
Part Number	CL No.	Packaging
ZX40-A-SLDA	242-0011-5	4,000 pieces per reel



All dimensions: mm

■ Plugs

● Micro A, Micro B - Component, Cover-bottom - Direct wire soldering



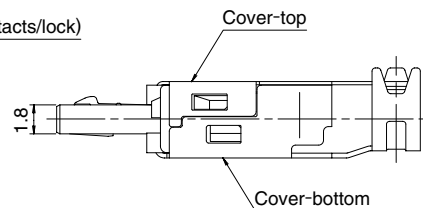
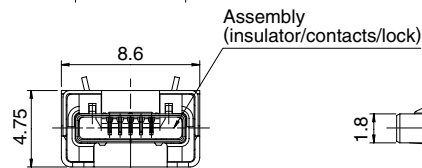
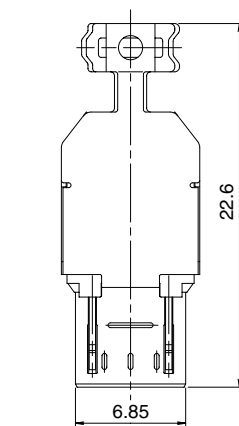
All dimensions: mm

ZX40-SLDB

ZX40-SLDB(3.3)

Part Number	CL No.	Packaging	Cable dia.
ZX40-SLDB	242-0004-0	4,000 pieces per reel	φ3.8
ZX40-SLDB(3.3)	242-0023-4		φ3.3

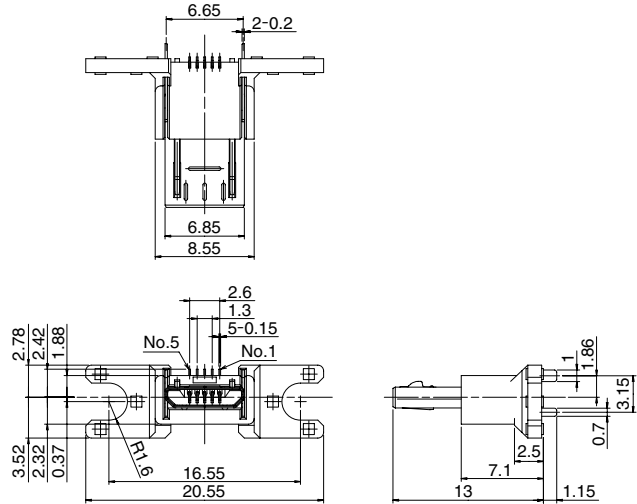
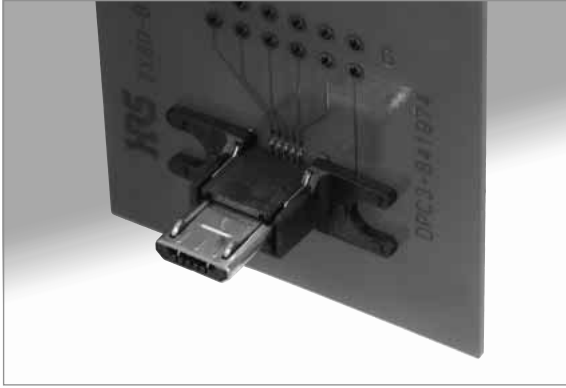
● Assembled



All dimensions: mm

■ Plug-Vertical, cradle mount, Shell through hole

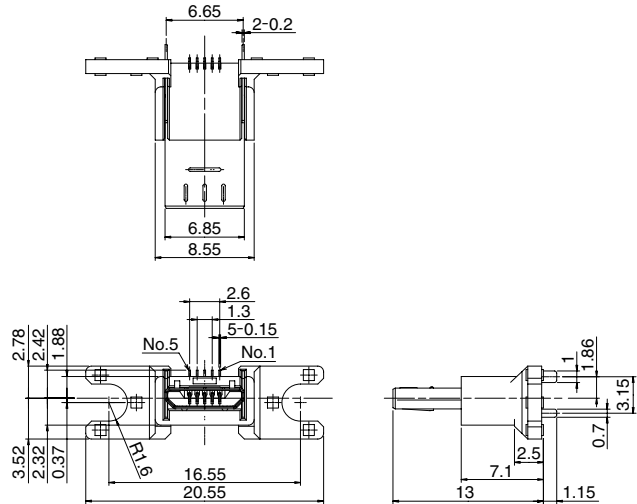
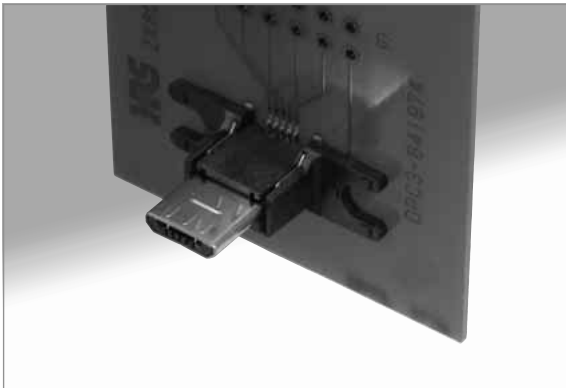
● Micro B, with lock



Part Number	CL No.	Packaging
ZX80-B-5S	242-0017-1	100 pieces

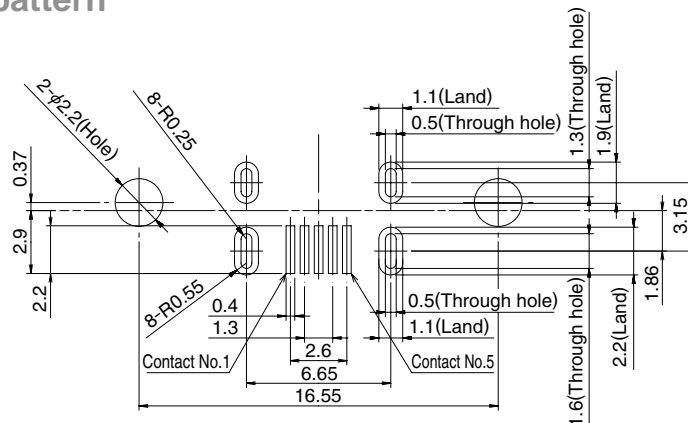
All dimensions: mm

● Micro B, without lock



Part Number	CL No.	Packaging
ZX80-B-5SA	242-0019-7	100 pieces

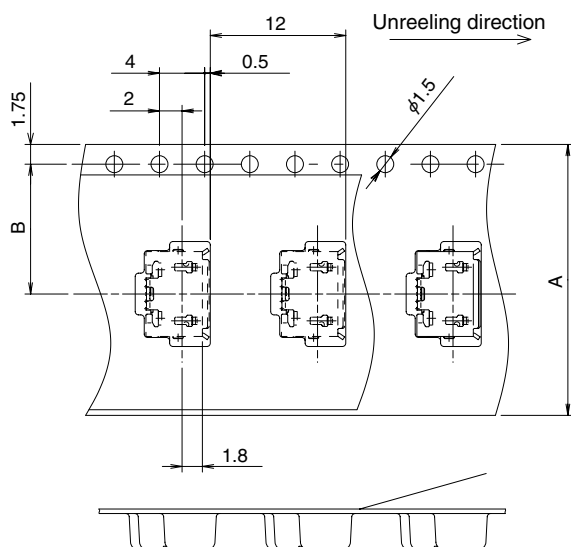
■ PCB mounting pattern



All dimensions: mm

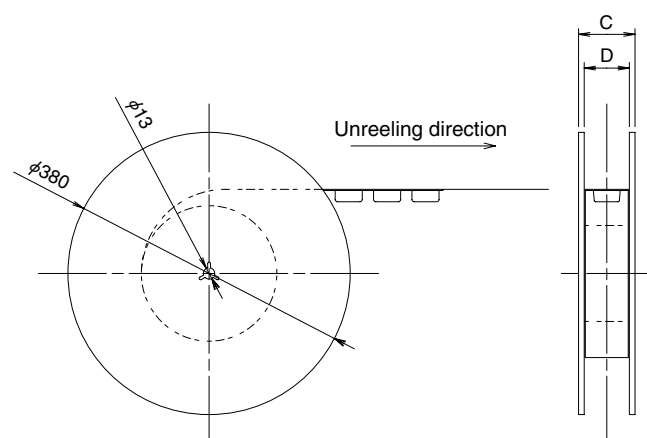
■ Packaging Specifications

● Embossed carrier tape dimensions



Part Number	A dimension	B dimension
ZX62-B-5PA	24	11.5
ZX62-AB-5PA	24	11.5
ZX62M-B-5P	24	11.5
Other	16	7.5

● Reel Dimensions

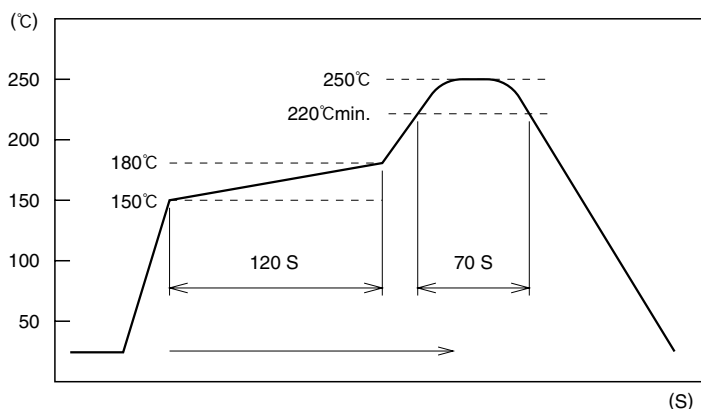


Part Number	C dimension	D dimension
ZX62-B-5PA	30.4	24.4
ZX62-AB-5PA	30.4	24.4
ZX62M-B-5P	30.4	24.4
Other	22.4	16.4

Note : Tape and reel packaging (2,000 pieces/reel).
 Order by number of reels.

■ Recommended Temperature Profile - Receptacles

● Using lead-free solder paste



HRS test condition

Solder composition : Paste, 96.5%Sn/3.0%Ag/0.5%Cu

Test board : Glass epoxy 35mm×35mm×0.8mm thick

The temperature profile is based on the left conditions. In individual applications the actual temperature may vary, depending on solder paste type, volume/thickness and board size/thickness. Contact your solder paste and equipment manufacturer for specific recommendations.

Note 1: Up to 2 cycles of Reflow soldering are possible under the same conditions, provided that there is a return to normal temperature between the first and second cycle.

Note 2: The temperature profile indicates the board surface temperature at the point of contacts with the connector terminals.

■ Precautions

- Exercise care when handling the connectors. Do not subject them to excessive external forces when mating/un-mating.
- Mate and un-mate as intended, holding by the overmolded body, in the correct direction. Do not un-mate by pulling on the cable.
- Some tooling marks may be visible on the surfaces of receptacle (shell/cover). No form/fit or function is affected.
- Appearance of the surface finishes on the receptacles may vary between production runs. No affect on form, fit or function.



HIROSE ELECTRIC CO.,LTD.

5-23,OSAKI 5-CHOME,SHINAGAWA-KU,TOKYO 141-8587,JAPAN

PHONE: 81-3-3491-9741, FAX: 81-3-3493-2933

<http://www.hirose.com>

<http://www.hirose-connectors.com>