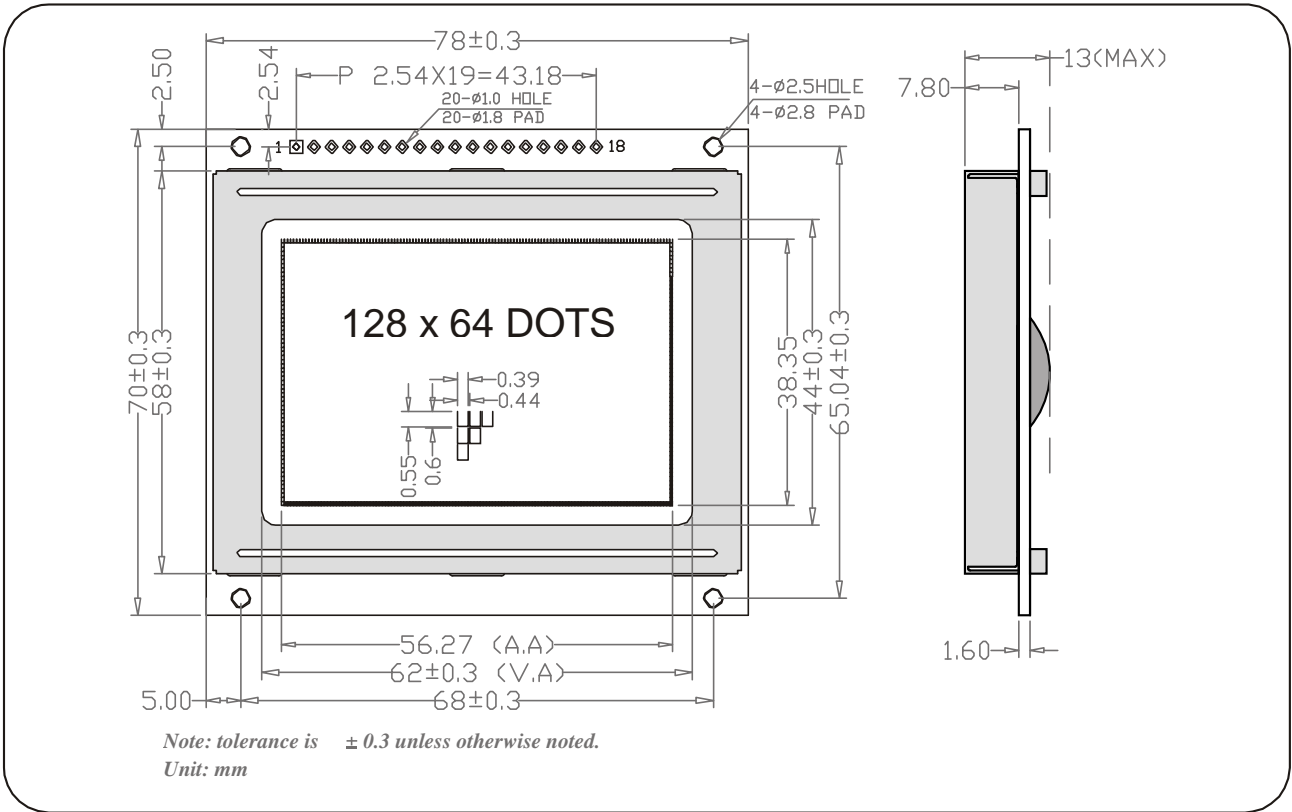


iLM718-128 SERIES

CHARACTERISTICS:

DISPLAY CONTENT: 128 x 64 DOTS
 LCD TYPE: STN Y/G
 LED BACKLIGHT: Y/G
 CONTROLLER: T6963C OR EQUAL
 OPERATING TEMPERATURE: NORMAL(0-50°C); WIDE(-20-70°C)
 POWER SUPPLY: 5.0V
 VIEWING ANGLE: 6H; 12H

DIMENSIONS/DISPLAY CONTENT



PIN CONFIGURATION

1	2	3	4	5	6	7	8	9	10
FG	GND	VDD	V ₀	/WR	/RD	/CE	/C/D	/RST	DB0
11	12	13	14	15	16	17	18	19	20
DB1	DB2	DB3	DB4	DB5	DB6	DB7	FS	LEDA	LEDK

LIMIT PARAMETER (Ta=25°C)

Parameter	Symbol	Standard Values		Unit
		Min.	Max	
Supply Voltage	VDD-VSS	0	7.0	V
LCD Voltage	VDD-V ₀	0	30	
Input Voltage	V ₁	0	VDD	

ELECTRONIC PARAMETER

Parameter	Symbol	Standard Values	Standard Values			Unit
			Typ.	Max	Min	
Voltage	Logic	VDD-VSS	4.75	5.0	5.25	V
	LCD	VDD-V ₀	0	9.0	30	V
Current	Logic	I _{DD}	-	2.5	-	mA
	LCD	I _{EE}	-	2.0	-	mA
LCD Drive Voltage(25°C)						
Voltage(25°C)	V _{IH}	0.7V _{DD}	-	V _{DD}	V	
	V _{IL}	0	-	0.3V _{DD}	V	

APPLICATION CIRCUIT

