

## Rapid Charge™ AC/DC Digital Quasi-Resonant PWM Controller with High Resolution Voltage/Current Control

### 1 Description

The iW1781 is a high performance AC/DC power supply controller for rapid charge that uses digital control technology to build peak-current mode PWM flyback power supplies. The device operates in quasi-resonant mode to provide high efficiency and a number of key built-in protection features. The iW1781 can achieve tight multi-level constant voltage and multi-level constant current regulation without a traditional secondary-feedback circuit. It also eliminates the need for loop compensation components while maintaining stability over all operating conditions.

The iW1781 supports USB Power Delivery (USB PD) and other proprietary rapid charging protocols with secondary-to-primary digital communication handled by secondary-side rapid charge interface circuits, including third party ICs. The iW1781 is optimized to work with Dialog's iW656 USB PD controller and other rapid charge protocol ICs for AC/DC adapters, to achieve fast and smooth voltage transition upon request by mobile devices (MD). When paired with the iW656, the iW1781 eliminates the discrete decoders on the primary side, minimizes the external component count and simplifies system designs. The iW656 can communicate with the iW1781 through one optocoupler for all the necessary rapid charge information including output voltage requests, output current limits, output voltage undershoot and output over-voltage.

The iW1781 also has a product option which offers Dialog's exclusive **SmartGrouping** control to provide a predictable frequency spectrum for mobile devices with highly sensitive touch panels. **SmartGrouping** technology provides two-dimensional control of both the grouping size and grouping frequency with switching events at a fixed frequency inside the group.

Dialog's innovative proprietary technology ensures that power adapters designed with the iW656 and iW1781 can provide multiple levels of output voltage and constant current limit negotiated by MDs. Furthermore, the chipset can achieve <20mW no-load power consumption at 5V/3A output setting and fast dynamic load response in typical AC/DC rapid charge adapter designs.

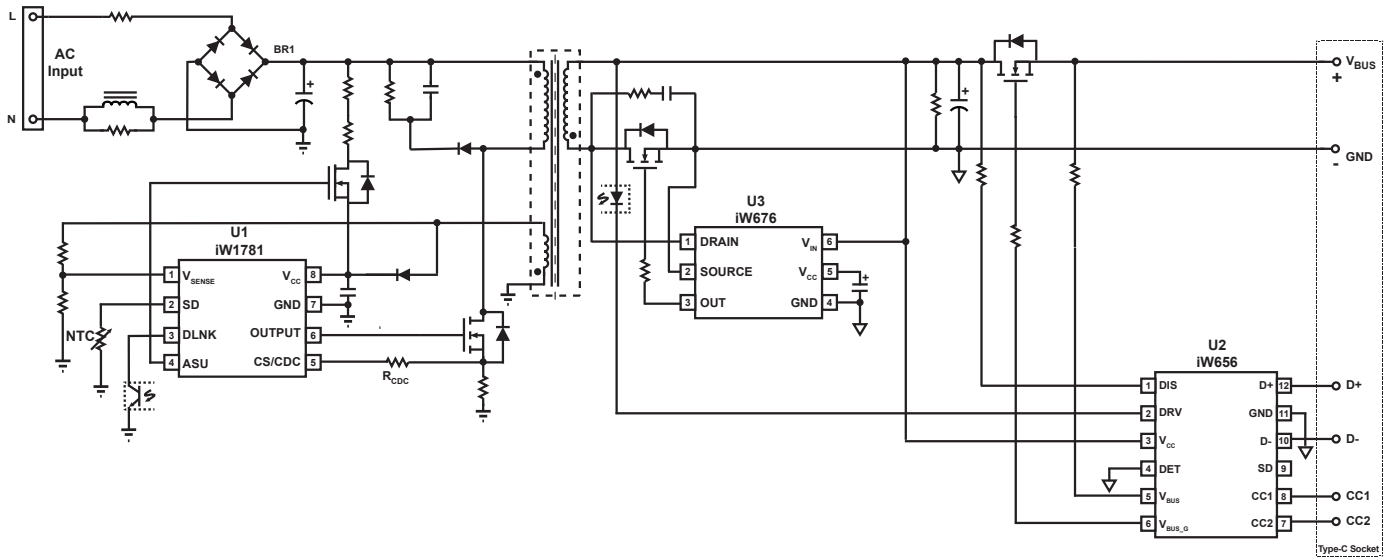
### 2 Features

- Support USB PD, optional QC2.0/3.0 and other proprietary rapid charge protocols with secondary-side interface circuits
- Pairs with iW656 to provide optimized USB PD solutions
- Support multi-level  $V_{BUS}$  from 3V to 20V in 25mV increments with multi-level current limits
- Proprietary secondary-to-primary digital communication with single optocoupler for all the rapid charge information:
  - » Output voltage request
  - » Output current limit
  - » Output voltage undershoot detection for fast dynamic load response
  - » Over-voltage protection
- Tight multi-level constant-voltage and multi-level constant-current regulation with primary-side feedback and control
- Ultra-low no-load power consumption with lowest system cost (<20mW at 230V<sub>AC</sub> with typical 5V/3A setting)
- No audible noise over entire operating range
- Proprietary optimized load adaptive maximum constant frequency PWM switching with quasi-resonant operation achieves best size, efficiency, and common mode noise
- Multi-mode PWM/PFM control improves efficiency at various load conditions
- Optional **SmartGrouping** control provides a predictable frequency spectrum for mobile devices with highly sensitive touch panels
- User-configurable 4-level cable drop compensation independent of output voltage
- **EZ-EMI**® design enhances manufacturability
- Built-in single-point fault protections against output short-circuit including soft short and half short, output over-voltage, and output over-current
- **SmartDefender**™ smart hiccup technology helps address issues of soft shorts in cables and connectors by effectively reducing the average output power at fault conditions without latch
- User-configurable external shutdown control

**Rapid Charge™ AC/DC Digital Quasi-Resonant PWM Controller with High Resolution Voltage/Current Control**

**3 Applications**

- Rapid charge AC/DC power adapter for smart phones, tablets and other MDs equipped with USB PD, direct charge and other protocols



**Figure 2.1 : iW1781 typical application circuit for standard USB PD with optional QC2.0/QC3.0 enabled (Using iW656 as Secondary-Side Controller for USB PD and iW676 as Synchronous Rectifier Controller.)**

## Rapid Charge™ AC/DC Digital Quasi-Resonant PWM Controller with High Resolution Voltage/Current Control

### 4 Pinout Description

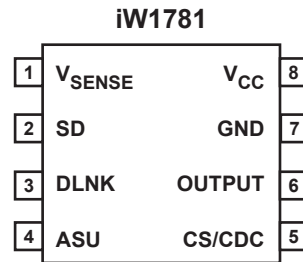


Figure 4.1 : 8-Lead SOIC-8 Package

Pin Number	Pin Name	Type	Pin Description
1	V <sub>SENSE</sub>	Analog Input	Auxiliary voltage sense. Used for primary-side regulation.
2	SD	Analog Input	External shutdown control. Can be configured for external over-temperature protection (OTP) by connecting an NTC resistor from this pin to Ground.
3	DLNK	Analog Input	Digital communication link signal. Used for secondary-side to primary-side communication for all rapid change information, which includes output voltage requests, output current limits, output voltage undershoot, and over-voltage protection.
4	ASU	Output	Control signal. Used for active start-up device (BJT or depletion mode N-FET).
5	CS/CDC	Analog Input	Primary-side current sense and external cable drop compensation (CDC). Used for cycle-by-cycle peak-current control and limit in primary-side CV/CC regulation. Also used for CDC configuration.
6	OUTPUT	Output	Gate drive for external MOSFET switch.
7	GND	Ground	Ground
8	V <sub>CC</sub>	Power Input	IC power supply.

## Rapid Charge™ AC/DC Digital Quasi-Resonant PWM Controller with High Resolution Voltage/Current Control

### 5 Absolute Maximum Ratings

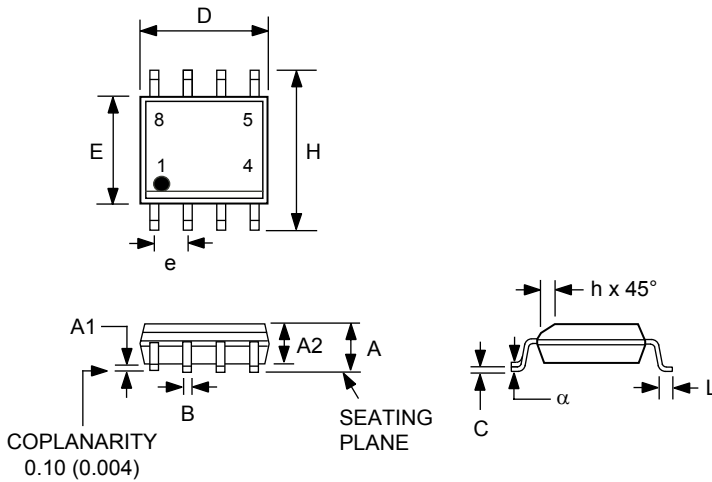
Absolute maximum ratings are the parameter values or ranges which can cause permanent damage if exceeded. For maximum safe operating conditions, refer to the Electrical Characteristics section.

Parameter	Symbol	Value	Units
DC supply voltage range (pin 8, $I_{CC} = 20\text{mA max}$ )	$V_{CC}$	-0.3 to 25.0	V
Continuous DC supply current at $V_{CC}$ pin ( $V_{CC} = 15\text{V}$ )	$I_{CC}$	20	mA
ASU output (pin 4)		-0.3 to 19.0	V
OUTPUT (pin 6)		-0.3 to 20.0	V
$V_{SENSE}$ input (pin 1, $I_{VSENSE} \leq 10\text{mA}$ )		-0.7 to 10.0	V
CS/CDC input (pin 5)		-0.3 to 4.0	V
SD (pin 2)		-0.3 to 4.0	V
DLNK (pin 3)		-0.3 to 4.0	V
Maximum junction temperature	$T_{JMAX}$	150	°C
Operating junction temperature	$T_{JOPT}$	-40 to 150	°C
Storage temperature	$T_{STG}$	-65 to 150	°C
Thermal resistance junction-to-ambient	$\theta_{JA}$	160	°C/W
ESD rating per JEDEC JESD22-A114		$\pm 2,000$	V
Latch-up test per JESD78D		$\pm 100$	mA

**Rapid Charge™ AC/DC Digital Quasi-Resonant PWM Controller with High Resolution Voltage/Current Control**

**6 Physical Dimensions**

8-Lead Small Outline (SOIC) Package



Symbol	Inches		Millimeters	
	MIN	MAX	MIN	MAX
A	0.053	0.069	1.35	1.75
A1	0.0040	0.010	0.10	0.25
A2	0.049	0.059	1.25	1.50
B	0.014	0.019	0.35	0.49
C	0.007	0.010	0.19	0.25
D	0.189	0.197	4.80	5.00
E	0.150	0.157	3.80	4.00
e	0.050 BSC		1.27 BSC	
H	0.228	0.244	5.80	6.20
h	0.10	0.020	0.25	0.50
L	0.016	0.049	0.4	1.25
α	0°	8°		

Compliant to JEDEC Standard MS12F

Controlling dimensions are in inches; millimeter dimensions are for reference only

This product is RoHS compliant and Halide free.

Soldering Temperature Resistance:

[a] Package is IPC/JEDEC Std 020D moisture sensitivity level 1

[b] Package exceeds JEDEC Std No. 22-A111 for solder immersion resistance; package can withstand 10 s immersion < 260°C

Dimension D does not include mold flash, protrusions or gate burrs. Mold flash, protrusions or gate burrs shall not exceed 0.15 mm per end. Dimension E1 does not include interlead flash or protrusion. Interlead flash or protrusion shall not exceed 0.25 mm per side.

The package top may be smaller than the package bottom. Dimensions D and E1 are determined at the outermost extremes of the plastic body exclusive of mold flash, tie bar burrs, gate burrs and interlead flash, but including any mismatch between the top and bottom of the plastic body.

**7 Ordering Information**

Part Number	Options						Package	Description
	Protocol Supported	Default $k_{CC}$ at Start-up	CC Shutdown Voltage	$V_{BUS}$ Resolution	Latch Conditions	CV Operation Modes		
iW1781-00	USB PD and other protocols	0.263	66% of $V_{BUS}$	25mV/step	N/A	PWM/PFM	SOIC-8	Tape & Reel <sup>1</sup>
iW1781-21	USB PD and other protocols	0.263	No CC Operation	25mV/step	OVP/OTP	PWM/PFM	SOIC-8	Tape & Reel <sup>1</sup>
iW1781-30	USB PD and other protocols	0.263	3V for $V_{BUS} < 9V$ 6.5V for $9V \leq V_{BUS} < 12V$ 10V for $V_{BUS} \geq 12V$	25mV/step	N/A	PWM/ <b>Smart-Grouping</b> /PFM	SOIC-8	Tape & Reel <sup>1</sup>

**Note 1: Tape & Reel packing quantity is 2,500/reel. Minimum ordering quantity is 2,500.**

## Rapid Charge™ AC/DC Digital Quasi-Resonant PWM Controller with High Resolution Voltage/Current Control

### Disclaimer

Information in this document is believed to be accurate and reliable. However, Dialog Semiconductor does not give any representations or warranties, expressed or implied, as to the accuracy or completeness of such information. Dialog Semiconductor furthermore takes no responsibility whatsoever for the content in this document if provided by any information source outside of Dialog Semiconductor.

Dialog Semiconductor reserves the right to change without notice the information published in this document, including without limitation the specification and the design of the related semiconductor products, software and applications.

Applications, software, and semiconductor products described in this document are for illustrative purposes only. Dialog Semiconductor makes no representation or warranty that such applications, software and semiconductor products will be suitable for the specified use without further testing or modification. Unless otherwise agreed in writing, such testing or modification is the sole responsibility of the customer and Dialog Semiconductor excludes all liability in this respect.

Customer notes that nothing in this document may be construed as a license for customer to use the Dialog Semiconductor products, software and applications referred to in this document. Such license must be separately sought by customer with Dialog Semiconductor.

All use of Dialog Semiconductor products, software and applications referred to in this document are subject to [Dialog Semiconductor's Standard Terms and Conditions of Sale](#), available on the company website ([www.dialog-semiconductor.com](http://www.dialog-semiconductor.com)) unless otherwise stated.

Dialog and the Dialog logo are trademarks of Dialog Semiconductor plc or its subsidiaries. All other product or service names are the property of their respective owners.

© 2017 Dialog Semiconductor. All rights reserved.

### RoHS Compliance

Dialog Semiconductor's suppliers certify that its products are in compliance with the requirements of Directive 2011/65/EU of the European Parliament on the restriction of the use of certain hazardous substances in electrical and electronic equipment. RoHS certificates from our suppliers are available on request.

## Contacting Dialog Semiconductor

**United Kingdom (Headquarters)**  
Dialog Semiconductor (UK) LTD  
Phone: +44 1793 757700

**Germany**  
Dialog Semiconductor GmbH  
Phone: +49 7021 805-0

**The Netherlands**  
Dialog Semiconductor B.V.  
Phone: +31 73 640 8822

**Email**  
[info\\_pcbg@diasemi.com](mailto:info_pcbg@diasemi.com)

**North America**  
Dialog Semiconductor Inc.  
Phone: +1 408 845 8500

**Japan**  
Dialog Semiconductor K. K.  
Phone: +81 3 5425 4567

**Taiwan**  
Dialog Semiconductor Taiwan  
Phone: +886 281 786 222

**Web site:**  
[www.dialog-semiconductor.com](http://www.dialog-semiconductor.com)

**Singapore**  
Dialog Semiconductor Singapore  
Phone: +65 64 8499 29

**Hong Kong**  
Dialog Semiconductor Hong Kong  
Phone: +852 3769 5200

**Korea**  
Dialog Semiconductor Korea  
Phone: +82 2 3469 8200

**China (Shenzhen)**  
Dialog Semiconductor China  
Phone: +86 755 2981 3669

**China (Shanghai)**  
Dialog Semiconductor China  
Phone: +86 21 5424 9058