

## AC/DC Digital Power Controller for Single-Stage High Power Factor Dimmable LED Drivers

### 1 Description

The iW3609 is a single-stage, high-performance AC/DC offline power supply controller for dimmable LED luminaires. It applies advanced digital control technology to detect the dimmer type, which provides dynamic impedance to interface with the dimmer and control the LED brightness at the same time.

With advanced dimmer detection technology, the iW3609 can operate with most wall dimmers including leading-edge dimmers (R-type or R-L type) and trailing-edge dimmers (R-C type). In addition, the iW3609's cycle-by-cycle waveform analysis technology allows for fast dimmer setting response. When no dimmer is on the line, the iW3609 optimizes the power factor and minimizes the current harmonic distortion to the AC line. Furthermore, in no dimmer condition, output current is regulated at nominal output current value over a wide input voltage range.

The iW3609 operates the main power converter that delivers current to the LED load in quasi-resonant mode to provide high power efficiency and minimize electro-magnetic interference (EMI). The commonly utilized converter topologies for iW3609 are buck-boost and flyback. It uses Dialog's patented **PrimAccurate™** primary-side sensing technology to achieve excellent LED current regulation under different AC line and LED load voltages, without using a secondary-side feedback circuit and thus eliminating the need for an opto-coupler.

The iW3609 minimizes the external components count by simplifying the EMI filter with Dialog's **EZ-EMI®** technology. The intelligent dimmer detection technology minimizes the bleeding power loss. Additionally, the digital control loop of the iW3609 maintains stable overall operating conditions without the need for loop compensation components.

### 2 Features

- Isolated/non-isolated offline 120V<sub>AC</sub>/230V<sub>AC</sub> LED driver up to 15W output power
- Wide line frequency range (from 45Hz to 66Hz)
- Meets IEC61000-3-2 Current Harmonic requirement
- Total harmonic distortion < 20% with PF > 0.92
- Wide dimmer compatibility
  - » Leading-edge dimmer
  - » Trailing-edge dimmer
- Selectable dimming range of 1% to 100% or 10% to 100%
- Resonant control to achieve high efficiency (typical > 82% without dimmer)
- Over-temperature LED current foldback
- Small solution size
  - » Single-stage topology reduces part counts
  - » 90kHz maximum switching frequency enables the use of a small transformer
- **PrimAccurate** primary-side sensing eliminates the need for opto-isolator feedback
- Tight LED current regulation ( $\pm 5\%$ )
- Fast start-up (< 0.5s without dimmer)
- Compatible with NEMA SSL6 dimming curve standard
- Multiple protection features that include:
  - » LED open-circuit and short-circuit protection
  - » Over-current protection
  - » Over-temperature protection
  - » Current sense resistor short-circuit protection
  - » AC line over-voltage protection
- Optional proprietary input current shaping

### 3 Applications

- Dimmable LED retrofit lamps up to 15W
- Dimmable LED luminaires up to 15W



# AC/DC Digital Power Controller for Single-Stage High Power Factor Dimmable LED Drivers

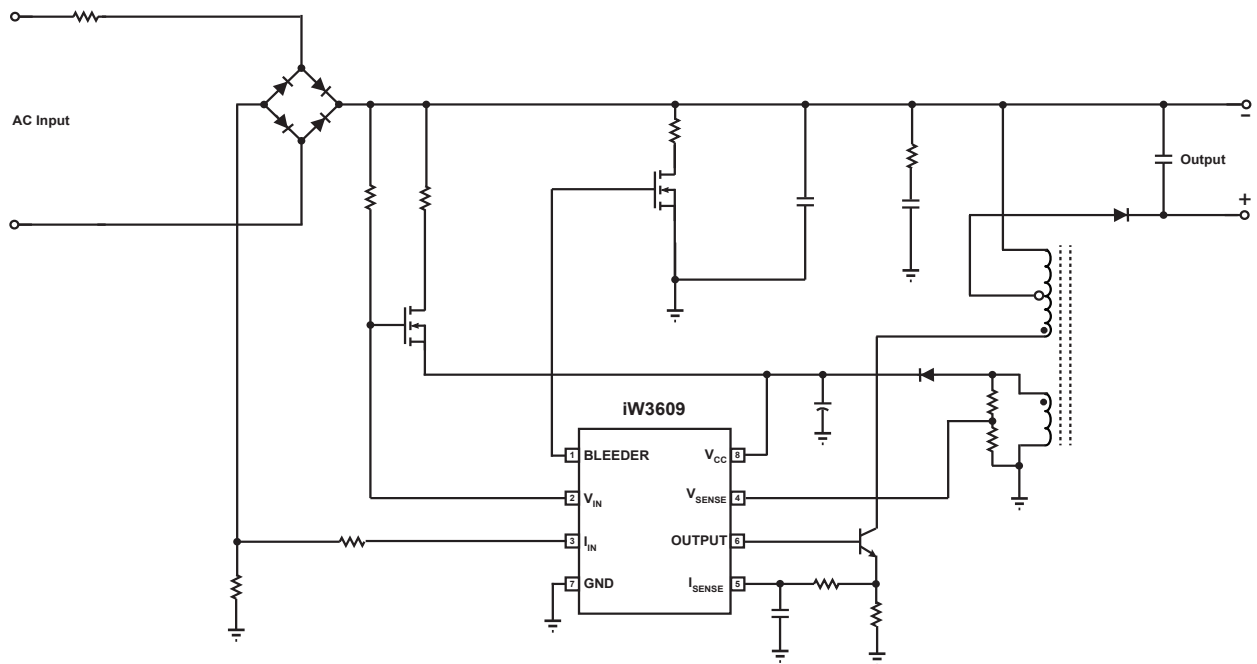


Figure 3.1 : iW3609 Simplified Application Circuit

## AC/DC Digital Power Controller for Single-Stage High Power Factor Dimmable LED Drivers

### 4 Pinout Description

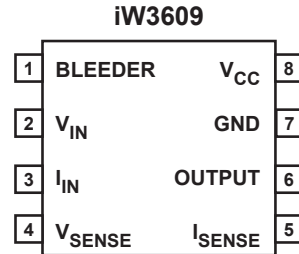


Figure 4.1 : 8 Lead SOIC Package

Pin No.	Pin Name	Type	Pin Description
1	BLEEDER	Output	Gate drive for Bleeder switch
2	$V_{IN}$	Analog Input	Rectified AC line voltage sense
3	$I_{IN}$	Analog Input	Rectified AC line current sense
4	$V_{SENSE}$	Analog Input	Auxiliary winding voltage sense
5	$I_{SENSE}$	Analog Input	Primary side current sense
6	OUTPUT	Output	Base drive for main BJT switch
7	GND	Ground	Ground
8	$V_{CC}$	Power	Power supply for control logic

## AC/DC Digital Power Controller for Single-Stage High Power Factor Dimmable LED Drivers

### 5 Absolute Maximum Ratings

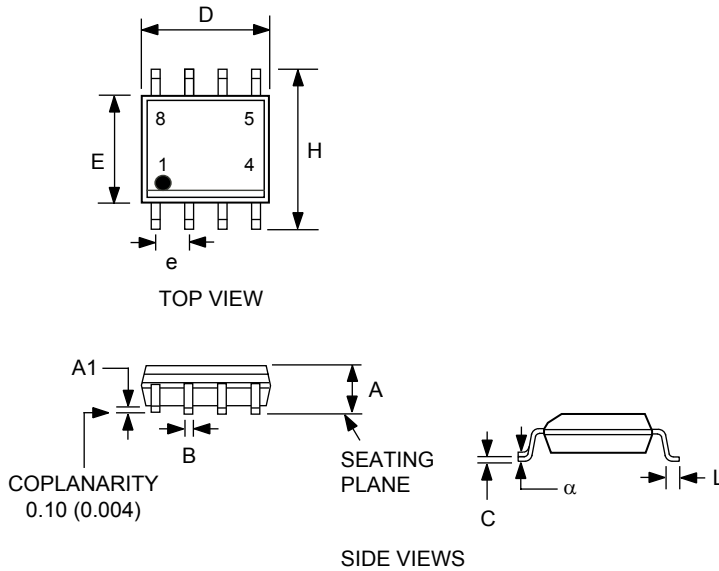
Absolute maximum ratings are the parameter values or ranges which can cause permanent damage if exceeded.

Parameter	Symbol	Value	Units
DC supply voltage range (pin 8)	$V_{CC}$	-0.3 to 18	V
OUTPUT (pin 6)		-0.3 to 4.0	V
BLEEDER output (pin 1)		-0.3 to $V_{CC}$	V
$V_{SENSE}$ input (pin 4, $I \leq 10\text{mA}$ )		-0.7 to 4.0	V
$V_{IN}$ input (pin 2)		-0.3 to 18	V
$I_{SENSE}$ input (pin 5)		-0.3 to 4.0	V
$I_{IN}$ input (pin 3)		-0.7 to 4.0	V
Maximum junction temperature	$T_{JMAX}$	150	°C
Storage temperature	$T_{STG}$	-65 to 150	°C
Thermal Resistance Junction-to-Ambient [Still Air]	$\theta_{JA}$ (Note 1)	160	°C/W
ESD rating per JEDEC JESD22-A114		$\pm 2,000$	V
Latch-up test per JESD78A		$\pm 100$	mA

# AC/DC Digital Power Controller for Single-Stage High Power Factor Dimmable LED Drivers

## 6 Physical Dimensions

### 8-Lead Small Outline (SOIC) Package



Symbol	Inches		Millimeters	
	MIN	MAX	MIN	MAX
A	0.053	0.069	1.35	1.75
A1	0.0040	0.010	0.10	0.25
B	0.014	0.019	0.35	0.49
C	0.007	0.010	0.19	0.25
D	0.189	0.197	4.80	5.00
E	0.150	0.157	3.80	4.00
e	0.050 BSC		1.27 BSC	
H	0.228	0.244	5.80	6.20
L	0.016	0.049	0.40	1.25
$\alpha$	0°	8°		

Compliant to JEDEC Standard MS12F

Controlling dimensions are in inches; millimeter dimensions are for reference only

This product is RoHS compliant and Halide free.

Soldering Temperature Resistance:

[a] Package is IPC/JEDEC Std 020D moisture sensitivity level 1

[b] Package exceeds JEDEC Std No. 22-A111 for solder immersion resistance; package can withstand 10 s immersion < 260°C

Dimension D does not include mold flash, protrusions or gate burrs. Mold flash, protrusions or gate burrs shall not exceed 0.15 mm per end. Dimension E1 does not include interlead flash or protrusion. Interlead flash or protrusion shall not exceed 0.25 mm per side.

The package top may be smaller than the package bottom. Dimensions D and E1 are determined at the outermost extremes of the plastic body exclusive of mold flash, tie bar burrs, gate burrs and interlead flash, but including any mismatch between the top and bottom of the plastic body.

## 7 Physical Dimensions

Part no.	Options	Package	Description
iW3609-00	120V <sub>AC</sub> input, with current shaping	SOIC-8	Tape & Reel <sup>1</sup>
iW3609-01	230V <sub>AC</sub> input, without current shaping	SOIC-8	Tape & Reel <sup>1</sup>
iW3609-04	230V <sub>AC</sub> input, lower bleeder loss options	SOIC-8	Tape & Reel <sup>1</sup>
iW3609-10	120V <sub>AC</sub> input, without current shaping	SOIC-8	Tape & Reel <sup>1</sup>

**Note 1: Tape and reel packing quantity is 2,500/reel. Minimum ordering quantity is 2,500.**

## AC/DC Digital Power Controller for Single-Stage High Power Factor Dimmable LED Drivers

### Disclaimer

Information in this document is believed to be accurate and reliable. However, Dialog Semiconductor does not give any representations or warranties, expressed or implied, as to the accuracy or completeness of such information. Dialog Semiconductor furthermore takes no responsibility whatsoever for the content in this document if provided by any information source outside of Dialog Semiconductor.

Dialog Semiconductor reserves the right to change without notice the information published in this document, including without limitation the specification and the design of the related semiconductor products, software and applications.

Applications, software, and semiconductor products described in this document are for illustrative purposes only. Dialog Semiconductor makes no representation or warranty that such applications, software and semiconductor products will be suitable for the specified use without further testing or modification. Unless otherwise agreed in writing, such testing or modification is the sole responsibility of the customer and Dialog Semiconductor excludes all liability in this respect.

Customer notes that nothing in this document may be construed as a license for customer to use the Dialog Semiconductor products, software and applications referred to in this document. Such license must be separately sought by customer with Dialog Semiconductor.

All use of Dialog Semiconductor products, software and applications referred to in this document are subject to [Dialog Semiconductor's Standard Terms and Conditions of Sale](#), available on the company website ([www.dialog-semiconductor.com](http://www.dialog-semiconductor.com)) unless otherwise stated.

Dialog and the Dialog logo are trademarks of Dialog Semiconductor plc or its subsidiaries. All other product or service names are the property of their respective owners.

© 2016 Dialog Semiconductor. All rights reserved.

### RoHS Compliance

Dialog Semiconductor's suppliers certify that its products are in compliance with the requirements of Directive 2011/65/EU of the European Parliament on the restriction of the use of certain hazardous substances in electrical and electronic equipment. RoHS certificates from our suppliers are available on request.

## Contacting Dialog Semiconductor

**United Kingdom (Headquarters)**  
Dialog Semiconductor (UK) LTD  
Phone: +44 1793 757700

**Germany**  
Dialog Semiconductor GmbH  
Phone: +49 7021 805-0

**The Netherlands**  
Dialog Semiconductor B.V.  
Phone: +31 73 640 8822

**Email**  
[info\\_pcbg@diasemi.com](mailto:info_pcbg@diasemi.com)

**North America**  
Dialog Semiconductor Inc.  
Phone: +1 408 845 8500

**Japan**  
Dialog Semiconductor K. K.  
Phone: +81 3 5425 4567

**Taiwan**  
Dialog Semiconductor Taiwan  
Phone: +886 281 786 222

**Web site:**  
[www.dialog-semiconductor.com](http://www.dialog-semiconductor.com)

**Singapore**  
Dialog Semiconductor Singapore  
Phone: +65 64 8499 29

**Hong Kong**  
Dialog Semiconductor Hong Kong  
Phone: +852 3769 5200

**Korea**  
Dialog Semiconductor Korea  
Phone: +82 2 3469 8200

**China (Shenzhen)**  
Dialog Semiconductor China  
Phone: +86 755 2981 3669

**China (Shanghai)**  
Dialog Semiconductor China  
Phone: +86 21 5424 9058