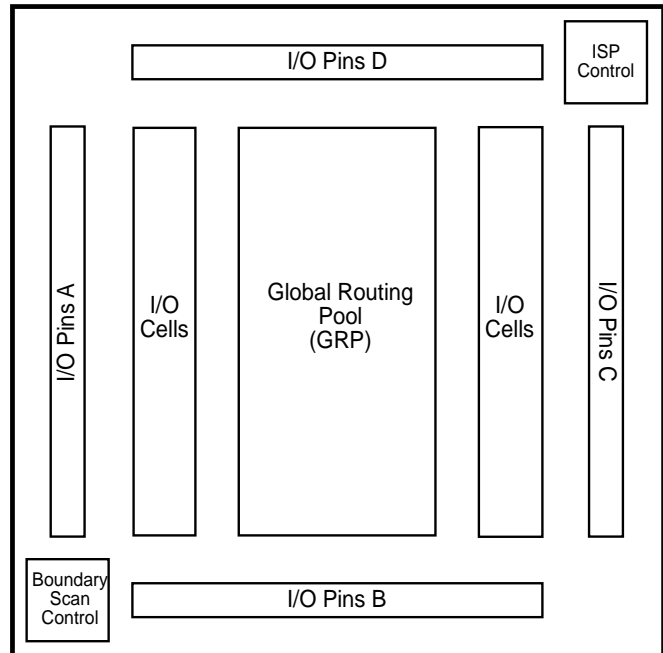


## Features

- **IN-SYSTEM PROGRAMMABLE GENERIC DIGITAL CROSSPOINT FAMILY**
  - Advanced Architecture Addresses Programmable PCB Interconnect, Bus Interface Integration and Jumper/Switch Replacement
  - Three Device Options: 80 to 160 Programmable I/O Pins
  - “Any Input to Any Output” Routing
  - Fixed HIGH or LOW Output Option for Jumper/DIP Switch Emulation
  - Space-Saving TQFP, PQFP and BGA Packaging
  - Dedicated IEEE 1149.1-Compliant Boundary Scan Test
  - PCI Compliant Output Drive
- **HIGH PERFORMANCE E<sup>2</sup>CMOS<sup>®</sup> TECHNOLOGY**
  - 5V Power Supply
  - 5.0ns Input-to-Output/5.0ns Clock-to-Output Delay
  - Low-Power: 40mA Quiescent I<sub>cc</sub>
  - Balanced 24mA Output Buffers with Programmable Slew Rate Control
  - Schmitt Trigger Inputs for Noise Immunity
  - Electrically Erasable and Reprogrammable
  - Non-Volatile E<sup>2</sup>CMOS Technology
  - 100% Tested
- **ispGDX OFFERS THE FOLLOWING ADVANTAGES**
  - In-System Programmable
  - Lattice ISP or JTAG Programming Interface
  - Only 5V Power Supply Required
  - Change Interconnects in Seconds
  - Reprogram Soldered Devices
- **FLEXIBLE ARCHITECTURE**
  - Combinatorial/Latched/Registered Inputs or Outputs
  - Individual I/O Tri-state Control with Polarity Control
  - Dedicated Clock Input Pins (two or four) or Programmable Clocks from I/O Pins (from 20 up to 40)
  - Up to 4:1 Dynamic Path Selection
  - Programmable Output Pull-up Resistors
  - Outputs Tri-state During Power-up (“Live Insertion” Friendly)
- **DESIGN SUPPORT THROUGH LATTICE’S ispGDX DEVELOPMENT SOFTWARE**
  - MS Windows or NT / PC-Based or Sun O/S
  - Easy Text-Based Design Entry
  - Automatic Signal Routing
  - Program up to 100 ISP Devices Concurrently
  - Simulator Netlist Generation for Easy Board-Level Simulation

## Functional Block Diagram



## Description

The ispGDX architecture provides a family of fast, flexible programmable devices to address a variety of system-level digital signal routing and interface requirements including:

- Multi-Port Multiprocessor Interfaces
- Wide Data and Address Bus Multiplexing (e.g. 4:1 High-Speed Bus MUX)
- Programmable Control Signal Routing (e.g. Interrupts, DMAREQs, etc)
- Board-Level PCB Signal Routing for Prototyping or Programmable Bus Interfaces

The ispGDX Family consists of three members with 80, 120 and 160 Programmable I/Os. These devices are available in packages ranging from the 100-pin TQFP to the 208-pin PQFP. The devices feature fast operation, with input-to-output signal delays (T<sub>pd</sub>) of 5ns and clock-to-output delays of 5ns.

The architecture of the devices consists of a series of programmable I/O cells interconnected by a Global Rout-

## Description (Continued)

ing Pool (GRP). All I/O pin inputs enter the GRP directly or are registered or latched so they can be routed to the required I/O outputs. I/O pin inputs are defined as four sets (A,B,C,D) which have access to the four MUX inputs found in each I/O cell. Each output has individual, programmable I/O tri-state control (OE), output latch clock (CLK) and two multiplexer control (MUX0 and MUX1) inputs. Polarity for these signals is programmable for each I/O cell. The MUX0 and MUX1 inputs control a fast 4:1 MUX, allowing dynamic selection of up to four signal sources for a given output. OE, CLK and MUX0 and MUX1 inputs can be driven directly from selected sets of I/O pins. Optional dedicated clock input pins give minimum clock-to-output delays.

Through in-system programming, connections between I/O pins and architectural features (latched or registered inputs or outputs, output enable control, etc.) can be defined. In keeping with its data path application focus, the ispGDX devices contain no programmable logic arrays. All input pins include Schmitt trigger buffers for noise immunity. These connections are programmed into the device using non-volatile E<sup>2</sup>CMOS technology. Non-volatile technology means the device configuration is saved even when the power is removed from the device.

In addition, there are no pin-to-pin routing constraints for 1:1 or 1:n signal routing. That is, *any* I/O pin configured as an input can drive one or more I/O pins configured as outputs.

The device pins also have the ability to set outputs to fixed HIGH or LOW logic levels (Jumper or DIP Switch mode). Device outputs are specified for 24mA sink and source current and can be tied together in parallel for greater drive. Programmable output slew rate can be defined independently for each I/O pin to reduce overall ground bounce and switching noise.

All I/O pins are equipped with IEEE1149.1-compliant Boundary Scan Test circuitry for enhanced testability. In addition, in-system programming is supported through the Test Access Port via a special set of private commands or through Lattice's industry-standard ISP protocol. The BSCAN/ $\overline{\text{ispEN}}$  pin is used to make this selection.

The ispGDX I/Os are designed to withstand "live insertion" system environments. The I/O buffers are disabled during power-up and power-down cycles. When designing for "live insertion," absolute maximum rating conditions for the Vcc and I/O pins must still be met. For additional information, an application note about using Lattice devices in hot swap environments can be downloaded from the Lattice web site at [www.latticesemi.com](http://www.latticesemi.com).

**Table 1. ispGDX Family Members**

	ispGDX DEVICE		
	ispGDX80A	ispGDX120A	ispGDX160/A
I/O Pins	80	120	160
I/O-OE Inputs*	20	30	40
I/O-Clk Inputs*	20	30	40
I/O-MUXsel1 Inputs*	20	30	40
I/O-MUXsel2 Inputs*	20	30	40
Dedicated Clock Pins	2	4	4
BSCAN / $\overline{\text{ispEN}}$	1	1	1
TOE	1**	1	1
BSCAN / ISP Interface	4	4	4
$\overline{\text{RESET}}$	1	1	1
Power/GND	12	25	33
Pin Count/Package	100-Pin TQFP	176-Pin TQFP/ 160-Pin PQFP	208-Pin PQFP 272-Ball BGA

\* The CLK, OE, MUX0 and MUX1 terminals on each I/O cell can each access 25% of the I/Os.

\*\* MUXed with Y1.

**Architecture**

The ispGDX architecture is different from traditional PLD architectures, in keeping with its unique application focus. The block diagram is shown below. The programmable interconnect consists of a single Global Routing Pool (GRP). Unlike ispLSI devices, there are no programmable logic arrays on the device. Control signals for OEs, Clocks and MUX Controls must come from designated sets of I/O pins. The polarity of these signals can be independently programmed in each I/O cell.

Each I/O cell drives a unique pin. The OE control for each I/O pin is independent and may be driven via the GRP by one of the designated I/O pins (I/O-OE set). The I/O-OE set consists of 25% of the total I/O pins. Boundary Scan test is supported by dedicated registers at each I/O pin. The in-system programming process uses either a Boundary Scan based or Lattice ISP protocol. The programming protocol is selected by the BSCAN/ispEN pin as described later.

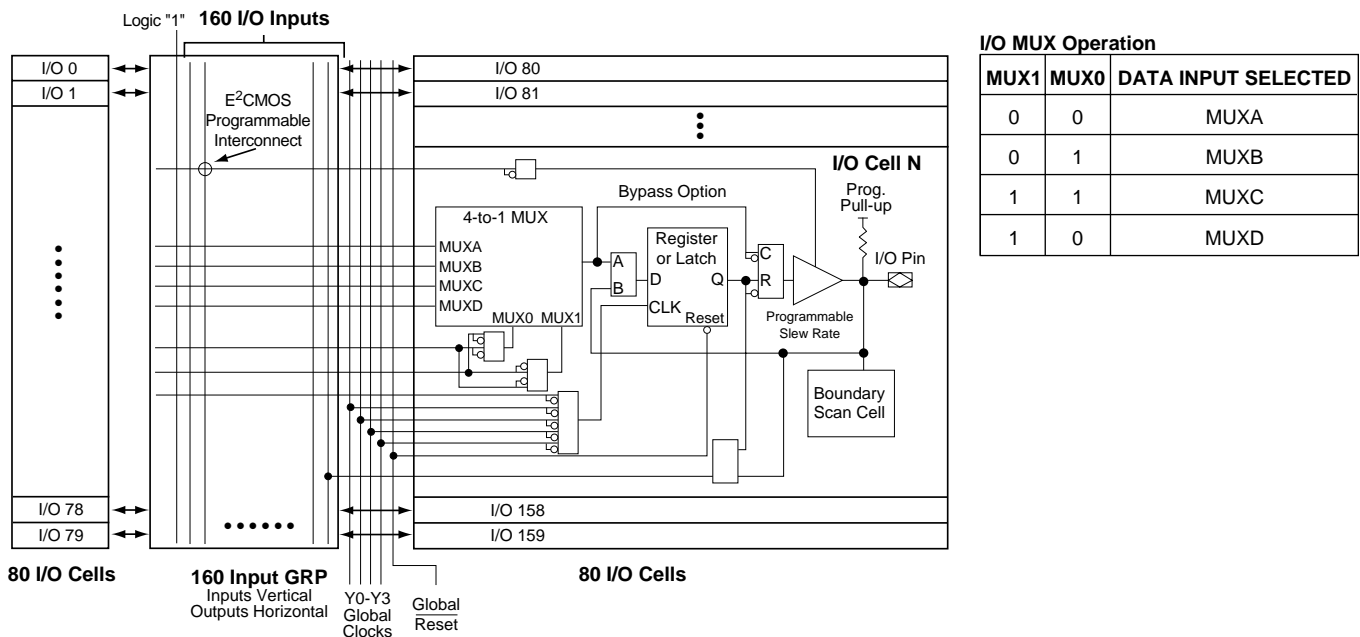
The various I/O pin sets are also shown in the block diagram below. The A, B, C, and D I/O pins are grouped together with one group per side.

**I/O Architecture**

Each I/O cell contains a 4:1 dynamic MUX controlled by two select lines called MUX0 and MUX1 as shown in

Figure 1. The four data inputs to the MUX (called MUXA, MUXB, MUXC and MUXD) come from I/O signals found in the GRP. Each MUX data input can access one quarter of the total I/Os. For example, in a 160 I/O ispGDX, each data input can connect to one of 40 I/O pins. MUX0 and MUX1 can be driven by designated I/O pins called MUXsel1 and MUXsel2. Each MUXsel input covers 25% of the total I/O pins (e.g. 40 out of 160). MUX0 and MUX1 can be driven from either MUXsel1 or MUXsel2. The I/O cell also includes a programmable flow-through latch or register that can be placed in the input or output path and bypassed for combinatorial outputs. As shown in Figure 1, when both register/latch control MUXes select the "A" path, the register/latch gets its inputs from the 4:1 MUX and drives the I/O output. When selecting the "B" path, the register/latch is directly driven by the I/O input while its output feeds the GRP. The programmable polarity Clock to the latch or register can be connected to any I/O in the I/O-Clock set (one-quarter of total I/Os) or to one of the dedicated clock input pins (Y<sub>x</sub>). Use of the dedicated clock inputs gives minimum clock-to-output delays and minimizes delay variation with fanout. Combinatorial output mode may be implemented by a dedicated architecture bit and bypass MUX. I/O cell output polarity can be programmed as active high or active low.

**Figure 1. ispGDX I/O Cell and GRP Detail (160 I/O Device)**



## Applications

The ispGDX family architecture has been developed to deliver an in-system programmable signal routing solution with high speed and high flexibility. The devices are targeted for three similar but distinct classes of end-system applications:

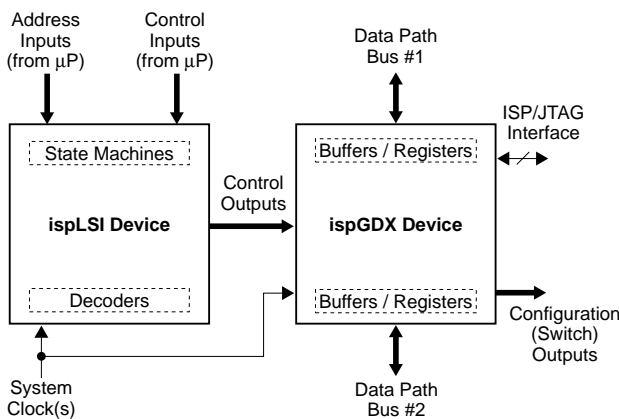
### Programmable, Random Signal Interconnect (PRSI)

This class includes PCB-level programmable signal routing and may be used to provide arbitrary signal swapping between chips. It opens up the possibilities of programmable system hardware. It is characterized by the need to provide a large number of 1:1 pin connections which are statically configured, i.e., the pin-to-pin paths do not need to change dynamically in response to control inputs.

### Programmable Data Path (PDP)

This application area includes system data path transceiver, MUX and latch functions. With today's 32- and 64-bit microprocessor buses, but standard data path glue components still relegated primarily to eight bits, PCBs are frequently crammed with a dozen or more data path glue chips that use valuable real estate. Many of these applications consist of "on-board" bus and memory interfaces that do not require the very high drive of standard glue functions but can benefit from higher integration. Therefore, there is a need for a flexible means to integrate these on-board data path functions in an analogous way to programmable logic's solution to control logic integration. Lattice's ispLSI High-Density PLDs make an ideal control logic complement to the ispGDX in-system programmable data path devices as shown below.

**Figure 2. ispGDX Complements Lattice ispLSI**



### Programmable Switch Replacement (PSR)

Includes solid-state replacement and integration of mechanical DIP Switch and jumper functions. Through in-system programming, pins of the ispGDX devices can be driven to HIGH or LOW logic levels to emulate the traditional device outputs. PSR functions do not require any input pin connections.

These applications actually require somewhat different silicon features. PRSI functions require that the device support arbitrary signal routing on-chip between any two pins with no routing restrictions. The routing connections are static (determined at programming time) and each input-to-output path operates independently. As a result, there is little need for dynamic signal controls (OE, clocks, etc.). Because the ispGDX device will interface with control logic outputs from other components (such as ispLSI) on the board (which frequently change late in the design process as control logic is finalized), there must be no restrictions on pin-to-pin signal routing for this type of application.

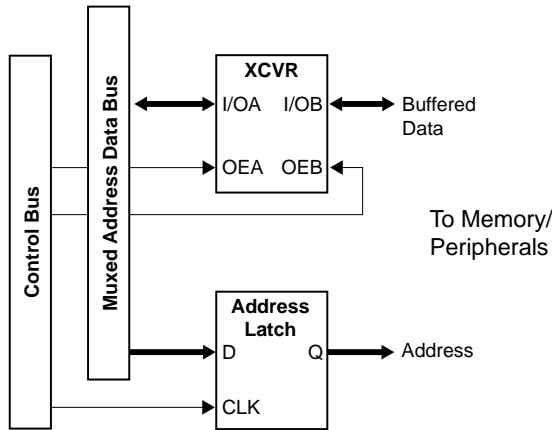
PDP functions, on the other hand, require the ability to dynamically switch signal routing (MUXing) as well as latch and tri-state output signals. As a result, the programmable interconnect is used to define *possible* signal routes that are then selected dynamically by control signals from an external MPU or control logic. These functions are usually formulated early in the conceptual design of a product. The data path requirements are driven by the microprocessor, bus and memory architecture defined for the system. This part of the design is the earliest portion of the system design frozen, and will not usually change late in the design because the result would be total system and PCB redesign. As a result, the ability to accommodate *arbitrary* any pin-to-any pin re-routing is not a strong requirement as long as the designer has the ability to define his functions with a reasonable degree of freedom initially.

As a result, the ispGDX architecture has been defined to support PSR and PRSI applications (including bidirectional paths) with no restrictions, while PDP applications (using dynamic MUXing) are supported with a minimal number of restrictions as described below. In this way, speed and cost can be optimized and the devices can still support the system designer's needs.

The following diagrams illustrate several ispGDX applications.

**Applications (Cont.)**

**Figure 3. Address Demultiplex/Data Buffering**



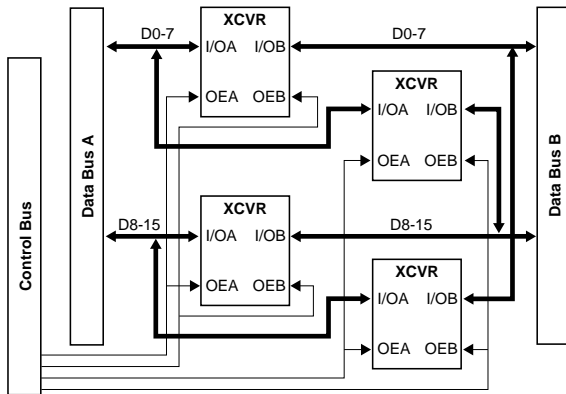
**Designing with the ispGDx**

As mentioned earlier, this architecture satisfies the PRSI class of applications without restrictions: any I/O pin as a single input or bidirectional can drive any other I/O pin as output.

For the case of PDP applications, the designer does have to take into consideration the limitations on pins that can be used as control (MUX0, MUX1, OE, CLK) or data (MUXA-D) inputs. The restrictions on control inputs are not likely to cause any major design issues because the input possibilities span 25% of the total pins.

The MUXA-D input partitioning requires that designers consciously assign pinouts so that MUX inputs are in the appropriate, disjoint groups. For example, since the MUXA group includes I/O0-19 (80 I/O device), it is not possible to use I/O0 and I/O9 in the same MUX function. As previously discussed, data path functions will be assigned early in the design process and these restrictions are reasonable in order to optimize speed and cost.

**Figure 4. Data Bus Byte Swapper**



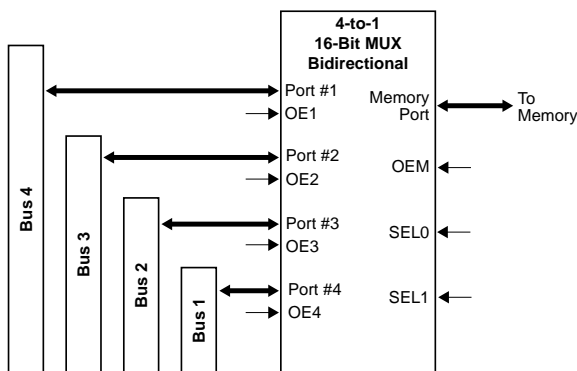
**User Electronic Signature**

The ispGDx Family includes dedicated User Electronic Signature (UES) E<sup>2</sup>CMOS storage to allow users to code design-specific information into the devices to identify particular manufacturing dates, code revisions, or the like. The UES information is accessible through the boundary scan or Lattice ISP programming port via a specific command. This information can be read even when the security cell is programmed.

**Security Bit**

The ispGDx Family includes a security bit feature that prevents reading the device program once set. Even when set, it does not inhibit reading the UES or device ID code. It can be erased only via a device bulk erase.

**Figure 5. Four-Port Memory Interface**



Note: All OE and SEL lines driven by external arbiter logic (not shown).

## Absolute Maximum Ratings <sup>1</sup>

Supply Voltage  $V_{CC}$  ..... -0.5 to +7.0V  
 Input Voltage Applied ..... -2.5 to  $V_{CC} + 1.0V$   
 Off-State Output Voltage Applied ..... -2.5 to  $V_{CC} + 1.0V$   
 Storage Temperature ..... -65 to 150°C  
 Case Temp. with Power Applied ..... -55 to 125°C  
 Max. Junction Temp. ( $T_J$ ) with Power Applied ... 150°C

1. Stresses above those listed under the “Absolute Maximum Ratings” may cause permanent damage to the device. Functional operation of the device at these or at any other conditions above those indicated in the operational sections of this specification is not implied (while programming, follow the programming specifications).

## DC Recommended Operating Conditions

SYMBOL	PARAMETER		MIN.	MAX.	UNITS
$V_{CC}$	Supply Voltage	Commercial $T_A = 0^\circ C$ to $+70^\circ C$	4.75	5.25	V
$V_{IL}^1$	Input Low Voltage		0	0.8	V
$V_{IH}^1$	Input High Voltage		2.0	$V_{CC} + 1$	V

1. Typical 100mV of input hysteresis.

## Capacitance ( $T_A = 25^\circ C$ , $f = 1.0$ MHz)

SYMBOL	PARAMETER	TYPICAL	UNITS	TEST CONDITIONS
$C_1$	I/O Capacitance	8	pf	$V_{CC} = 5.0V$ , $V_{I/O} = 2.0V$
$C_2$	Dedicated Clock Capacitance	10	pf	$V_{CC} = 5.0V$ , $V_Y = 2.0V$

Table 2 - 0006

## Erase/Reprogram Specifications

PARAMETER	MINIMUM	MAXIMUM	UNITS
ispGDX Erase/Reprogram Cycles	10,000	–	Cycles

## Switching Test Conditions

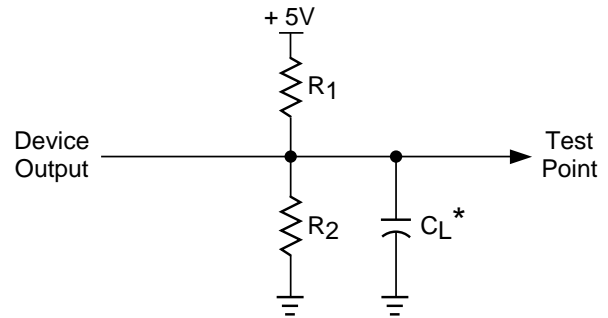
Input Pulse Levels	GND to 3.0V
Input Rise and Fall Time	≤ 1.5ns 10% to 90%
Input Timing Reference Levels	1.5V
Output Timing Reference Levels	1.5V
Output Load	See figure at right

3-state levels are measured 0.5V from steady-state active level.

### Output Load Conditions

TEST CONDITION		R1	R2	CL
A		160Ω	90Ω	35pF
B	Active High	∞	90Ω	35pF
	Active Low	160Ω	90Ω	35pF
C	Active High to Z at $V_{OH}-0.5V$	∞	90Ω	5pF
	Active Low to Z at $V_{OL}+0.5V$	160Ω	90Ω	5pF

Table 2 - 0004A



\* $C_L$  includes Test Fixture and Probe Capacitance.

## DC Electrical Characteristics

### Over Recommended Operating Conditions

SYMBOL	PARAMETER	CONDITION	MIN.	TYP. <sup>2</sup>	MAX.	UNITS
$V_{OL}$	Output Low Voltage	$I_{OL} = 24 \text{ mA}$	–	–	0.55	V
$V_{OH}$	Output High Voltage	$I_{OH} = -24 \text{ mA}$	2.4	–	–	V
$I_{IL}$	Input or I/O Low Leakage Current	$0V \leq V_{IN} \leq V_{IL} \text{ (MAX.)}$	–	–	-10	μA
$I_{IH}$	Input or I/O High Leakage Current	$3.5V \leq V_{IN} \leq V_{CC}$	–	–	10	μA
$I_{IL-isp}$	$\overline{ispEN}$ Input Low Leakage Current	$0V \leq V_{IN} \leq V_{IL} \text{ (MAX.)}$	–	–	-150	μA
$I_{IL-PU}$	I/O Active Pull-Up Current	$0V \leq V_{IN} \leq V_{IL}$	–	–	-150	μA
$I_{OS}^1$	Output Short Circuit Current	$V_{CC} = 5V, V_{OUT} = 0.5V, T_A = 25^\circ C$	-100	–	-250	mA
$I_{CCQ}$	Quiescent Power Supply Current	$V_{IL} = 0.5V, V_{IH} = V_{CC}$	–	25	40	mA
$I_{CC}$	Dynamic Power Supply Current per Input Switching	One input toggling @ 50% duty cycle, outputs open.	–	See Note 3	–	mA/MHz

- One output at a time for a maximum duration of one second.  $V_{OUT} = 0.5V$  was selected to avoid test problems by tester ground degradation. Characterized but not 100% tested.
- Typical values are at  $V_{CC} = 5V$  and  $T_A = 25^\circ C$ .
- $I_{CC} / \text{MHz} = (0.0114 \times \text{I/O cell fanout}) + 0.06$   
e.g. An input driving four I/O cells at 40 MHz results in a dynamic  $I_{CC}$  of approximately  $((0.0114 \times 4) + 0.06) \times 40 = 4.2 \text{ mA}$ .

## External Timing Parameters

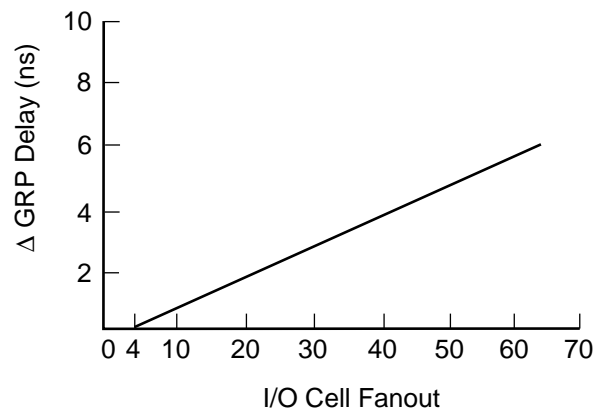
Over Recommended Operating Conditions

PARAMETER	TEST COND.	#	DESCRIPTION	-5		-7		UNITS
				MIN.	MAX.	MIN.	MAX.	
<b>t<sub>pd</sub></b>	A	1	Data Propagation Delay from any I/O pin to any I/O pin	–	5.0	–	7.0	ns
<b>t<sub>sel</sub></b>	A	2	Data Propagation Delay from MUXsel Inputs to any Output	–	6.5	–	9.0	ns
<b>f<sub>max(ext)</sub></b>	–	3	Clock Frequency with External Feedback ( $\frac{1}{t_{su2}+t_{gco1}}$ )	111	–	80.0	–	MHz
<b>t<sub>su1</sub></b>	–	4	Input Latch or Register Setup Time before any Clk	4.0	–	5.5	–	ns
<b>t<sub>su2</sub></b>	–	5	Output Latch or Register MUX Data Setup Time before any Clk	4.0	–	5.5	–	ns
<b>t<sub>h</sub></b>	–	6	Latch or Register Hold Time after any Clk	0.0	–	0.0	–	ns
<b>t<sub>gco1</sub></b>	A	7	Output Latch or Register Clk (from Y <sub>x</sub> ) to Output Delay	–	5	–	7.0	ns
<b>t<sub>gco2</sub></b>	A	8	Input Latch or Register Clk (from Y <sub>x</sub> ) to Output Delay	–	8.5	–	11.0	ns
<b>t<sub>co1</sub></b>	A	9	Output Latch or Register Clk (from I/O pin) to Output Delay	–	6.0	–	9.0	ns
<b>t<sub>co2</sub></b>	A	10	Input Latch or Register Clock (from I/O pin) to Output Delay	–	9.5	–	13.0	ns
<b>t<sub>en</sub></b>	B	11	Input to Output Enable	–	6.0	–	8.5	ns
<b>t<sub>dis</sub></b>	C	12	Input to Output Disable	–	6.0	–	8.5	ns
<b>t<sub>toeen</sub></b>	B	13	Test OE Output Enable	–	9.0	–	12.0	ns
<b>t<sub>toedis</sub></b>	C	14	Test OE Output Disable	–	9.0	–	12.0	ns
<b>t<sub>wh</sub></b>	–	15	Clock Pulse Duration, High	3.5	–	5.0	–	ns
<b>t<sub>wl</sub></b>	–	16	Clock Pulse Duration, Low	3.5	–	5.0	–	ns
<b>t<sub>rst</sub></b>	–	17	Register Reset Delay from RESET Low	–	14.0	–	18.0	ns
<b>t<sub>rw</sub></b>	–	18	Reset pulse width	10.0	–	14.0	–	ns
<b>t<sub>sl</sub></b>	A	19	Output Delay Adder for Output Timings Using Slow Slew Rate	–	5.0	–	7.0	ns
<b>t<sub>sk</sub></b>	A	20	Output Skew (t <sub>gco1</sub> across chip)	–	0.5	–	0.5	ns

1. All timings measured with one output switching, fast output slew rate setting, except t<sub>sl</sub>.

ispGDX timings are specified with a GRP load (fanout) of four I/O cells. The figure at right shows the Maximum  $\Delta$  GRP Delay with increased GRP loads. These deltas apply to any signal path traversing the GRP (MUXA-D, OE, CLK, MUXsel0-1). Global Clock signals, which do not use the GRP, have no fanout delay adder.

Maximum  $\Delta$  GRP Delay vs. I/O Cell Fanout





## Internal Timing Parameters<sup>1</sup>

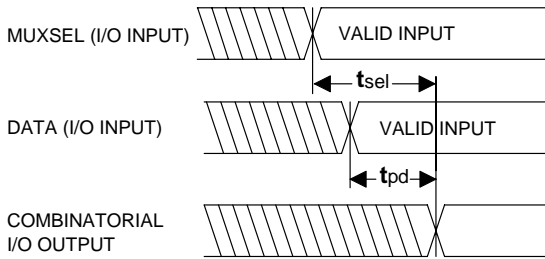
Over Recommended Operating Conditions

PARAMETER	# <sup>2</sup>	DESCRIPTION <sup>1</sup>	-5		-7		UNITS
			MIN.	MAX.	MIN.	MAX.	
<b>Inputs</b>							
t <sub>io</sub>	21	Input Buffer Delay	—	0.7	—	1.3	ns
<b>GRP</b>							
t <sub>grp</sub>	22	GRP Delay	—	2.0	—	2.5	ns
<b>MUX</b>							
t <sub>muxd</sub>	23	I/O Cell MUX A/B/C/D Data Delay	—	1.0	—	1.4	ns
t <sub>muxs</sub>	24	I/O Cell MUX A/B/C/D Data Select	—	2.5	—	3.4	ns
<b>Register</b>							
t <sub>iolat</sub>	25	I/O Latch Delay	—	1.6	—	2.2	ns
t <sub>iosu</sub>	26	I/O Register Setup Time Before Clock	—	1.6	—	1.8	ns
t <sub>ioh</sub>	27	I/O Register Hold Time After Clock	—	2.4	—	3.6	ns
t <sub>ioco</sub>	28	I/O Register Clock to Output Delay	—	1.6	—	2.2	ns
t <sub>ior</sub>	29	I/O Reset to Output Delay	—	0.7	—	1.0	ns
<b>Data Path</b>							
t <sub>rfdbk</sub>	30	I/O Register Feedback Delay	—	0.2	—	0.3	ns
t <sub>iobp</sub>	31	I/O Register Bypass Delay	—	0.4	—	0.6	ns
t <sub>ioob</sub>	32	I/O Register Output Buffer Delay	—	0.1	—	0.7	ns
t <sub>muxc</sub> (Yx Clk)	33	I/O Register Data Input MUX Delay	—	1.1	—	1.2	ns
t <sub>muxc</sub> (I/O Clk)	34	I/O Register Data Input MUX Delay	—	2.1	—	3.2	ns
t <sub>iod</sub> (Yx Clk)	35	I/O Register I/O Input MUX Delay	—	4.1	—	5.1	ns
t <sub>iod</sub> (I/O Clk)	36	I/O Register I/O Input MUX Delay	—	5.1	—	7.1	ns
<b>Outputs</b>							
t <sub>ob</sub>	37	Output Buffer Delay	—	0.9	—	1.3	ns
t <sub>obs</sub>	38	Output Buffer Delay, Slow Slew	—	5.9	—	8.3	ns
t <sub>oen</sub>	39	I/O Cell OE to Output Enabled	—	0.8	—	1.1	ns
t <sub>oedis</sub>	40	I/O Cell OE to Output Disabled	—	0.8	—	1.1	ns
t <sub>goe</sub>	41	Global Output Enable Delay	—	2.5	—	3.6	ns
t <sub>toe</sub>	42	Test OE Enable Delay	—	8.2	—	10.9	ns
<b>Clocks</b>							
t <sub>cio</sub>	43	I/O Clock Delay	—	0.7	—	1.0	ns
t <sub>gy0/1/2/3</sub>	44	Clock Delay, Y0/1/2/3	—	2.4	—	2.8	ns
<b>Global Reset</b>							
t <sub>gr</sub>	45	Global Reset to I/O Register/Latch	—	12.3	—	15.0	ns

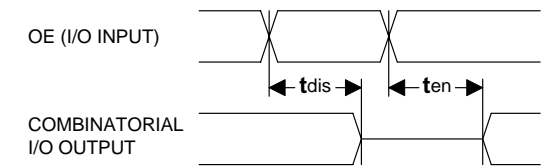
1. Internal Timing Parameters are not tested and are for reference only.

2. Refer to the Timing Model in this data sheet for further details.

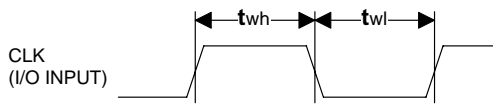
**Switching Waveforms**



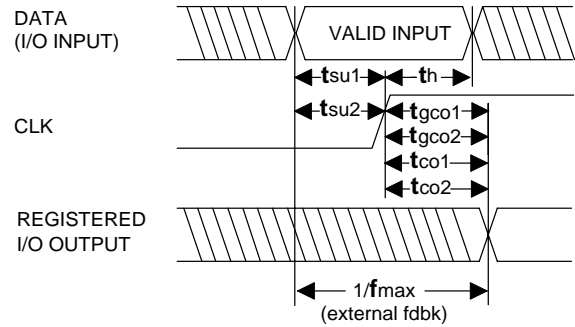
**Combinatorial Output**



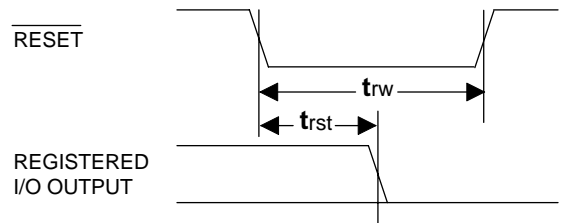
**I/O Output Enable/Disable**



**Clock Width**

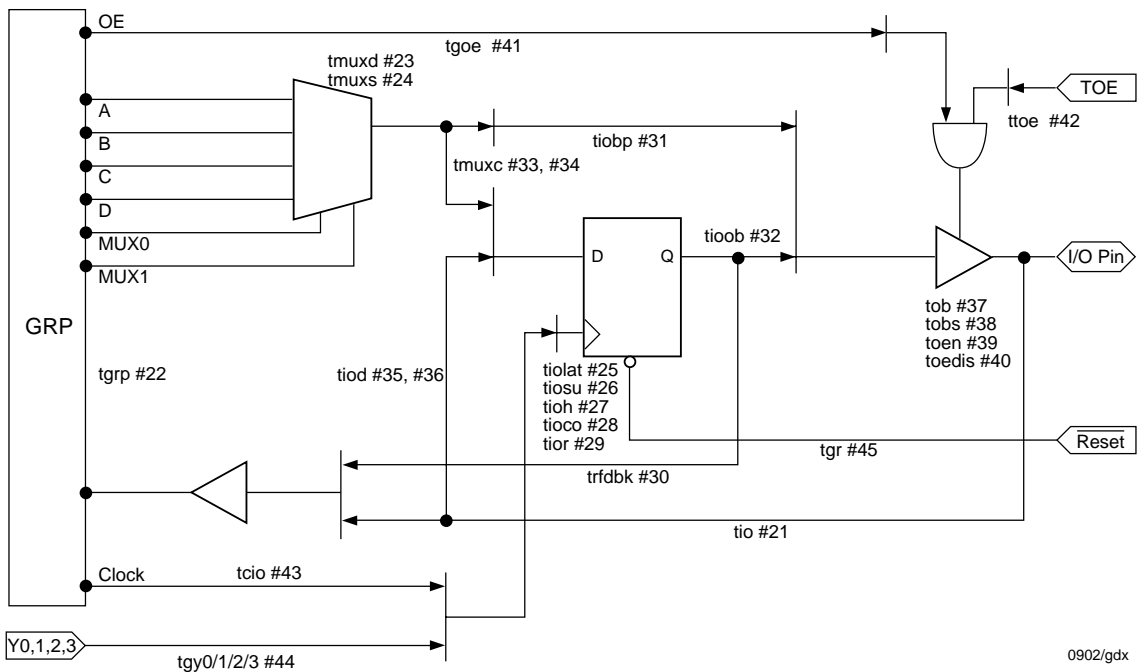


**Registered Output**



**Reset**

**ispGDX Timing Model**



## ispGDX Development System

The ispGDX Development System supports ispGDX design using a simple language syntax and an easy-to-use Graphical User Interface (GUI) called Design Manager. From creation to In-System Programming, the ispGDX system is an easy-to-use, self-contained design tool delivered on CD-ROM media.

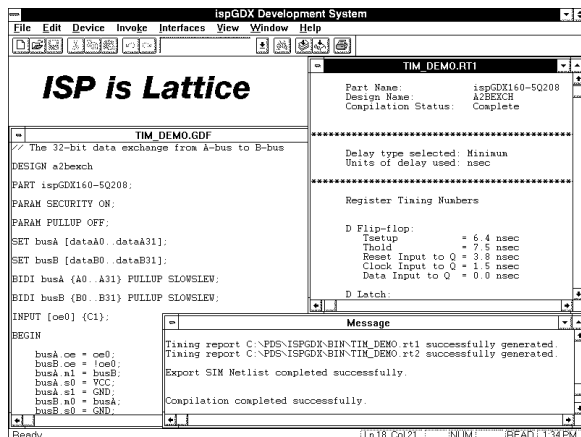
### Features

- Easy-to-use Text Entry System
- ispGDX Design Compiler
  - Design Rule Checker
  - I/O Connectivity Checker
  - Automatic Compiler Function
- Industry Standard JEDEC File for Programming
- Min / Max Timing Report
- Interfaces To Popular Timing Simulators
- User Electronic Signature (UES) Support
- Detailed Log and Report Files For Easy Design Debug
- On-Line Help
- Windows 3.1x, WIN95, and NT Compatible Graphical User Interface
- SUN O/S, Command Line Driven version available

### PC Version

With the ispGDX GUI for the PC, command line entry is not required. The tools run under Microsoft Windows 3.1,

### Lattice's ispGDX Development System Interface



Windows 95 and Windows NT. When the ispGDX software is invoked, the Design Manager and an accompanying message window are displayed. The Design Manager consists of the Menu Bar, Tool Bar, Status Bar and the work area. The figure below shows these elements of the ispGDX GUI.

The Menu Bar displays topics related to functions used in the design process. Access the various drop-down menus and submenus by using the mouse or "hot" keys. The menu items available in the ispGDX system are FILE, EDIT, DEVICE, INVOKE, INTERFACES, VIEW, WINDOW and HELP.

The Tool Bar is a quick and easy way to perform many of the functions found in the menus with a single click of the mouse. File, Edit, Undo, Redo, Find, Print Download and Compiler are just some of the Icons found in the ispGDX Tool Bar. For instance, the Compiler Icon performs the same function as the Invoke => Compiler menu commands, including design analysis and rule checking and the fitting operation.

The Status Bar displays action prompts and the line and column numbers reflect the location of the cursor within the message window or the work area.

### Workstation Version

The ispGDX software is also available for use under the Sun O/S 4.1.x or Solaris 2.4 or 2.5. The Sun version of the ispGDX software is invoked from the command line under the UNIX operating system. A GUI is not supported in this environment.

In the UNIX environment, the ispGDX Design File (GDF) must be created using a text editor. Once the GDF has been created, invoke the ispGDX workstation software from the UNIX command line. The following is an example of how to invoke ispGDX software.

#### Usage:

```
ispGDX
[-i input_file]
[-of[edif|orcad|viewlogic|verilog|vhdl]]
[-p part_name]
[-r par_file]
```

-i input_file name	ispGDX design file
-of [edif   orcad   viewlogic   verilog   vhdl]	output format
-p part_name	ispGDX part number
-r par_file	read parameters from parameter file

## The GDF File

The GDF file is a simple text description of the design function, device and pin parameters. The file has four parts: device selection, set and constant statements, a pin section and a connection section. A sample file looks like this:

```
//32-bit data exchange from A-bus to B-bus
DESIGN a2bexch
PART ispGDx160-5Q208;
PARAM SECURITY ON;
PARAM PULLUP OFF;

SET busA [dataA0..dataA31];
SET busB [dataB0..dataB31];

BIDI busA {A0..A31} PULLUP SLOWSLEW;
BIDI busB {B0..B31} PULLUP SLOWSLEW;
INPUT [oe0] {C1};

BEGIN
    busA.oe = oe0;
    busB.oe = !oe0;
    busA.m1 = busB;
    busA.s0 = VCC;
    busA.s1 = GND;
    busB.m0 = busA;
    busB.s0 = GND;
    busB.s1 = GND;
END
```

This example shows a simple, but complete, 32-bit A-bus to B-bus data exchange design. Once completed, the compiler takes over.

## Powerful Syntax

Lattice's ispGDx Design System uses simple, but powerful, syntax to easily define a design. The !(bang) operator controls pin polarity and can be used in both the pin and connection sections of the design definition. Dot extensions define data inputs, select controls for the 4:1 multiplexor, and control inputs of sequential elements and tri-state buffers. Dot extensions are .M# (MUX Input), .S# (MUX Select), and control functions, such as .CLK, .EN, .OE (shown in adjacent table). Pin Attributes are assigned in the pin section of the GDF as well. SLOWSLEW selects the slow slew rate for an output buffer. PULLUP fixes the on-chip pullup resistor for a particular pin. The COMB attribute distinguishes the structure for bidirectional pins. If COMB is used, the input register, or latch, of an output buffer will be applied to bidirectional pins.

Please consult the ispGDx Development System Manual for full details.

## ispGDx GDF File Dot Extensions

TYPE	DOT EXT.	DESCRIPTION
MUX Input	.M0	MUXA Data input to 4-1 MUX
	.M1	MUXB Data input to 4-1 MUX
	.M2	MUXC Data Input to 4-1 MUX
	.M3	MUXD Data Input to 4-1 MUX
MUX Selection	.S0	MUX0 Selection input to 4-1 MUX
	.S1	MUX1 Selection input to 4-1 MUX
Control	.CLK	Clock for a register signal
	.EN	Latch enable for a latch signal
	.OE	Output enable for 3-state output or bidirectional signal

ispGDx Dot Ext

## The ispGDx Design System Compiler

After the GDF file is created, the compiler checks the syntax and provides helpful hints and the location of any syntax errors. The compiler performs design rule checks, such as, clock and enable designations, the use of input/output/BIDI usage, and the proper use of attributes. I/O connectivity is also checked to ensure polarity, MUX selection controls, and connections are properly made. Compilation is completed automatically and report and programming files are saved.

## Reports Generated

When the ispGDx system compiles a design and generates the specified netlists, the following output files are created:

### Report Files

- .log - Compiler History
- .rpt - Compiler Report
- .rt1 - Minimum Delay Timing Report
- .rt2 - Maximum Delay Timing Report

### Simulation File

- .sim - Post-Route Simulation With LAC Format

### Netlists

- .edo - EDIF Output
- .vlo - Verilog Output
- .edo - Viewlogic EDIF-format Output
- .ifo - OrCAD Output
- .vho - VHDL non-VITAL with Maximum Delays Output
- .vhn - VHDL non-VITAL with Maximum Delays Output
- .vto - VHDL VITAL Output

## Download

.jed - JEDEC Device Programming File

## Third-Party Timing Simulation

The ispGDX Design System will generate simulation netlists as specified by a user. The simulation netlist formats available are: EDIF, Verilog (OVI compliant), VHDL (VITAL compliant), Viewlogic, and OrCAD.

For In-System Programming, Lattice's ispGDX devices may be programmed, alone or in a chain with up to 100 other Lattice ISP devices, using Lattice's ISP Daisy Chain Download software. This powerful Windows-based tool can be launched from the Tool Bar or by Invoking the Download option from the drop down menu within the ispGDX Design System. ISP Daisy Chain Download version 5.0 or above supports the ispGDX Family devices.

## In-System Programmability

All necessary programming of the ispGDX Family is done via five TTL level logic interface signals. These five signals are fed into the on-chip programming circuitry where a state machine controls the programming.

On-chip programming can be accomplished using either an IEEE 1149.1 boundary scan protocol or a Lattice industry-standard ISP programming protocol. The IEEE 1149.1-compliant interface signals are Test Data In (TDI), Test Data Out (TDO), Test Clock (TCK) and Test Mode

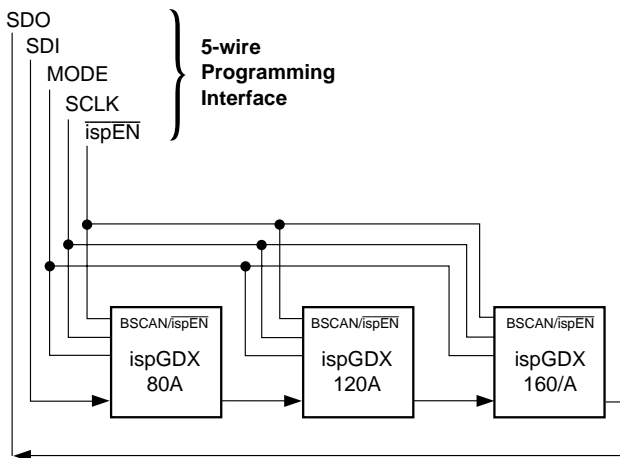
Select (TMS) control. The corresponding Lattice ISP control signals are SDI, SDO, SCLK and MODE. These signals switch their operation from IEEE 1149.1 boundary scan protocol to Lattice ISP programming protocol based on the state of the BSCAN/ispEN pin as shown in Table 2. Figure 5 illustrates the block diagram for the ISP programming interface. Figure 6 illustrates the block diagram for the ispJTAG interface.

**Table 2. Operating Mode Control Signals**

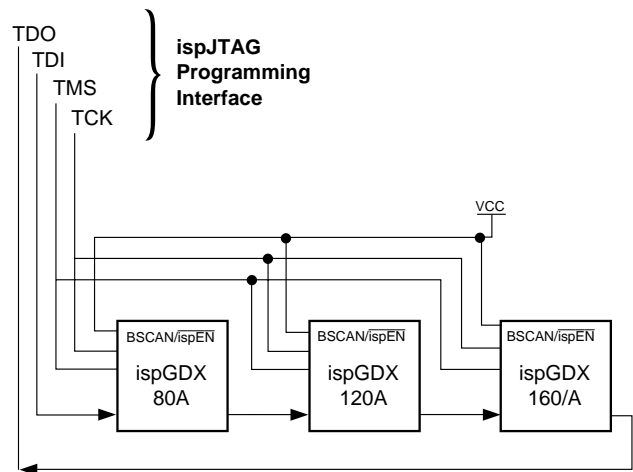
BSCAN/ispEN	OPERATION	CONTROL PIN FUNCTION
0	Program Device Using Lattice ISP Protocol	SDI, SDO, SCLK, MODE
1	Program Device or Normal Operation Using IEEE 1149.1 Protocol	TDI, TDO, TCK, TMS

Op Mode Signals/ispGDX

**Figure 5. ISP Device Programming Interface**



**Figure 6. ispJTAG Device Programming Interface**



**Boundary Scan / ISP Programming and Test Options**

The ispGDX devices provide IEEE1149.1a test capability and ISP programming through a standard Boundary Scan Test Access Port (TAP) interface. In addition, ispGDX devices can be programmed via the Lattice ISP programming interface using the same TAP serial interface pins.

When the BSCAN/ $\overline{\text{ispEN}}$  signal is high the ispGDX devices enable Boundary Scan Test mode. Under this mode the Boundary Scan data registers for the I/O pins

are organized in the order given below. Each I/O register is structured as shown in Figure 7.

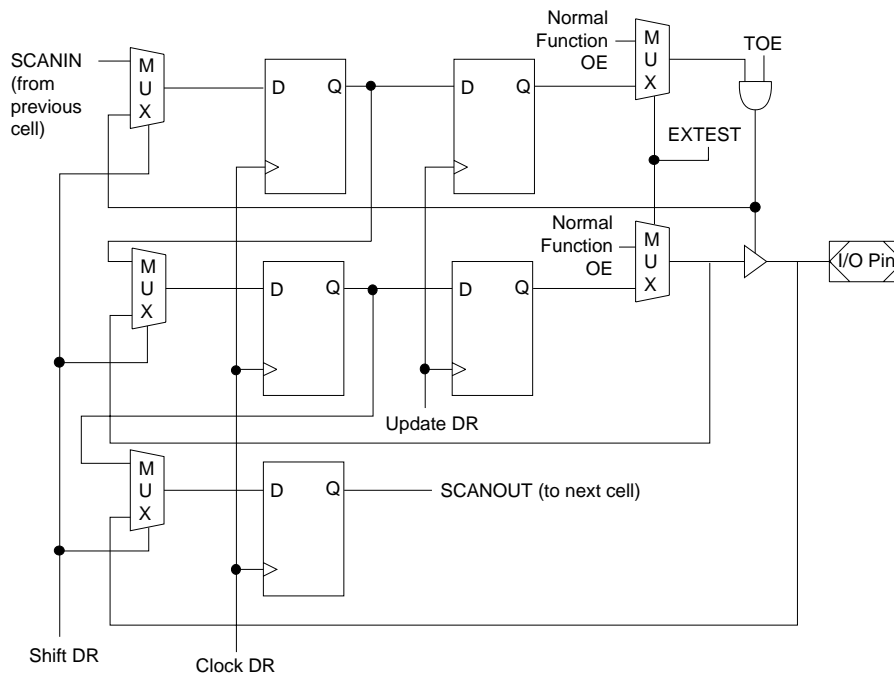
The operation of the boundary scan test circuitry in the ispGDX160 is dependent on the fuse pattern programmed into the device. The boundary scan circuitry on the ispGDX160A, ispGDX120A and ispGDX80A operates independently of the programmed pattern. This allows customers using boundary scan test to have full test capability with only a single BSDL file.

**Table 3. I/O Shift Register Order**

DEVICE	I/O SHIFT REGISTER ORDER
ispGDX80A	SDI/TDI, I/O B10 .. B19, I/O C0 .. C19, I/O D0 .. D9, $\overline{\text{RESET}}$ , Y1/TOE, Y0, I/O B9 .. B0, I/O A19.. A0, I/O D19 .. D10, SDO/TDO
ispGDX120A	SDI/TDI, I/O B15 .. B29, I/O C0 .. C29, I/O D0 .. D14, TOE, Y2, Y3, $\overline{\text{RESET}}$ , Y1, Y0, I/O B14 .. B0, I/O A29.. A0, I/O D29 .. D15, SDO/TDO
ispGDX160/A	SDI/TDI, I/O B20 .. B39, I/O C0 .. C39, I/O D0 .. D19, TOE, Y2, Y3, $\overline{\text{RESET}}$ , Y1, Y0, I/O B19 .. B0, I/O A39.. A0, I/O D39 .. D20, SDO/TDO

I/O Shift Reg Order/ispGDX

**Figure 7. Boundary Scan I/O Register Cell**



**Boundary Scan / ISP Programming and Test Options (Continued)**

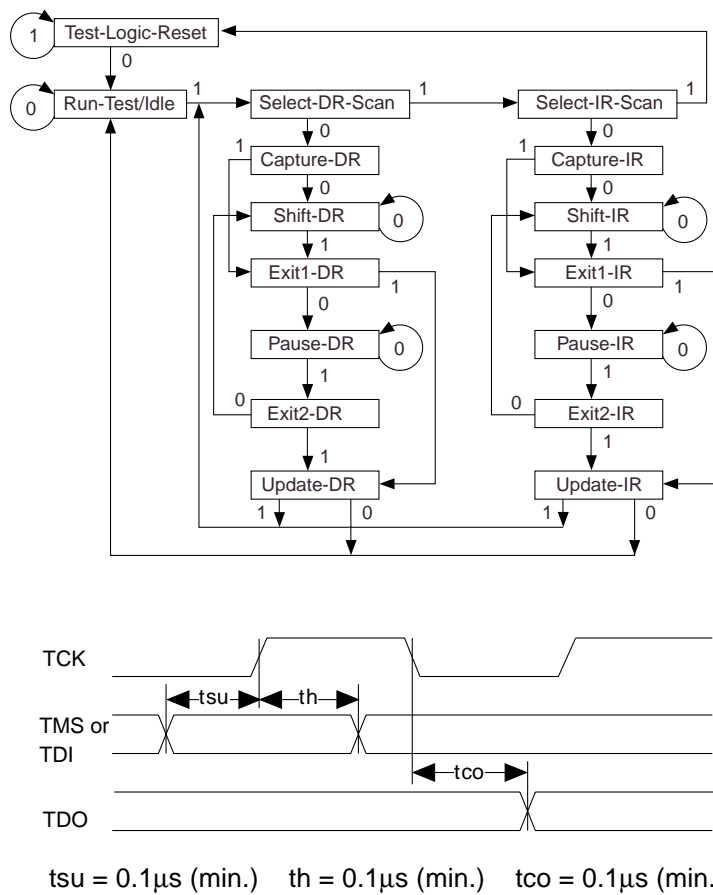
The ispGDX devices are identified either by the 32-bit JTAG IDCODE register or the eight-bit ISP register. The device ID assignments are listed in Table 4.

The ispJTAG programming is accomplished by executing Lattice private instructions under the Boundary Scan State Machine.

Lattice ISP programming is accomplished by driving BSCAN/ispEN low, while following the ISP state machine

algorithm. The eight-bit device ID can be read from the device in Idle State for ISP device identification. Details of the programming sequence are transparent to the user and are handled by Lattice ISP Daisy Chain Download (ispDCD), ispCODE 'C' routines or any third-party programmers. Contact Lattice Technical Support to obtain more detailed programming information.

**Figure 8. Boundary Scan State Machine**



**Table 4. ispGDX Device ID Codes**

DEVICE	8-BIT ISP ID	32-BIT BOUNDARY SCAN IDCODE
ispGDX80A	0111 0111	0000 0000 0010 0101 0001 0000 0100 0011
ispGDX120A	0111 1000	0000 0000 0010 0101 0010 0000 0100 0011
ispGDX160/A	0111 1001	0000 0000 0010 0101 0011 0000 0100 0011

GDX ID Codes

## Signal Descriptions

Signal Name	Description
I/O	Input/Output Pins – These are the general purpose bidirectional data pins. When used as outputs, each may be independently latched, registered or tristated. They can also each assume one other control function (OE, CLK and MUXsel as described in the text).
TOE	Test Output Enable pin – This pin tristates all I/O pins when a logic low is driven.
RESET	Active LOW Input Pin – Resets all I/O register outputs when LOW.
Y0, Y1, Y2, Y3	Input Pins – Dedicated clock input pins. Each pin can drive any or all I/O cell registers.
BSCAN/ $\overline{\text{ispEN}}$	Input Pin – When HIGH, this pin enables the Boundary Scan Test and Programming Interface. When LOW, this pin enables the Lattice ISP protocol for programming and tristates all I/O pins, except those used for the programming interface.
TDI/SDI	Input/Input Pin – Serial data input during ISP programming or Boundary Scan mode.
TCK/SCLK	Input/Input Pin – Serial data clock during ISP programming or Boundary Scan mode.
TMS/MODE	Input/Input Pin – Control input during ISP programming or Boundary Scan mode.
TDO/SDO	Output/Output Pin – Serial data output during ISP programming or Boundary Scan mode.
GND	Ground (GND)
VCC	Vcc – Supply voltage (5V).
NC <sup>1</sup>	No Connect.

1. NC pins are not to be connected to any active signals, VCC or GND.

## Signal Locations: ispGDX160/A

Signal	208-Pin PQFP	272-Ball BGA
TOE	178	A12
RESET	185	D10
Y0, Y1, Y2, Y3,	75, 76, 180, 181	V10, Y10, C11, A11
BSCAN/ $\overline{\text{ispEN}}$	183	B10
TDI/SDI	81	Y12
TCK/SCLK	80	U11
TMS/MODE	79	V11
TDO/SDO	78	W11
GND	6, 15, 25, 35, 44, 54, 63, 77, 91, 100, 110, 119, 129, 139, 148, 159, 168, 182, 195, 204	A1, D4, D8, D13, D17, H4, H17, J9, J10, J11, J12, K9, K10, K11, K12, L9, L10, L11, L12, M9, M10, M11, M12, N4, N17, U4, U8, U13, U17
VCC	1, 17, 33, 49, 65, 89, 105, 121, 137, 153, 170, 184, 193	D6, D11, D15, F4, F17, K4, L17, R4, R17, U6, U10, U15
NC <sup>1</sup>	73, 74, 156, 179	A2, A6, A7, A10, A15, A19, A20, B1, B2, B4, B11, B14, B18, B19, B20, C2, C3, C10, C18, D2, D3, D16, E2, E17, E19, H1, H3, H18, H20, K20, L1, N1, N3, N18, N20, T2, T4, T19, U5, U18, U19, V3, V14, V18, V19, W1, W2, W3, W7, W10, W14, W19, W20, Y1, Y2, Y6, Y9, Y11, Y18, Y20

1. NC pins are not to be connected to any active signals, VCC or GND.

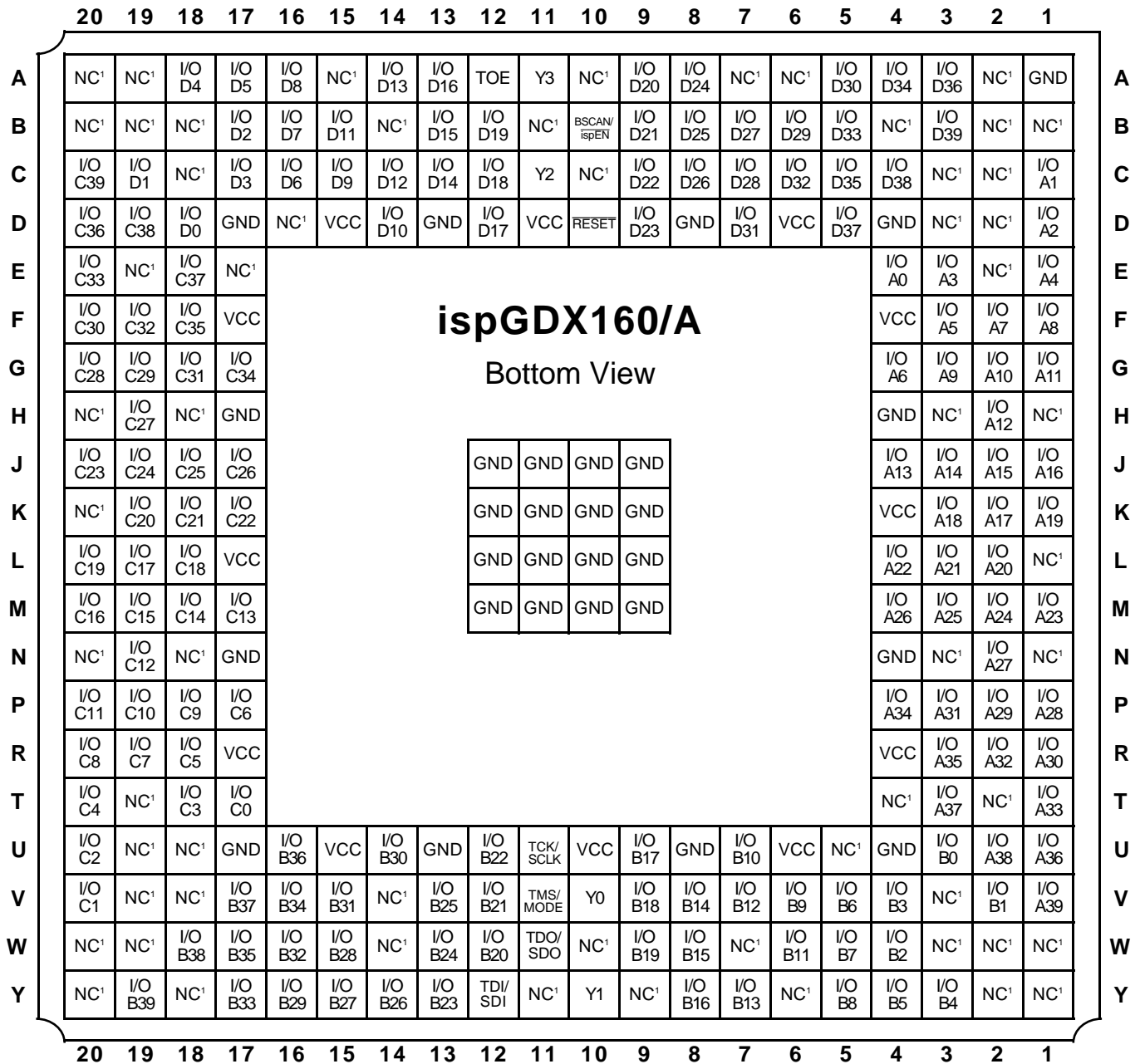


**I/O Locations: ispGDX160/A**

Signal	208 PQFP	272 BGA	Signal	208 PQFP	272 BGA	Signal	208 PQFP	272 BGA	Signal	208 PQFP	272 BGA	Signal	208 PQFP	272 BGA
I/O A0	2	E4	I/O A32	40	R2	I/O B24	86	W13	I/O C16	125	M20	I/O D8	164	A16
I/O A1	3	C1	I/O A33	41	T1	I/O B25	87	V13	I/O C17	126	L19	I/O D9	165	C15
I/O A2	4	D1	I/O A34	42	P4	I/O B26	88	Y14	I/O C18	127	L18	I/O D10	166	D14
I/O A3	5	E3	I/O A35	43	R3	I/O B27	90	Y15	I/O C19	128	L20	I/O D11	167	B15
I/O A4	7	E1	I/O A36	45	U1	I/O B28	92	W15	I/O C20	130	K19	I/O D12	169	C14
I/O A5	8	F3	I/O A37	46	T3	I/O B29	93	Y16	I/O C21	131	K18	I/O D13	171	A14
I/O A6	9	G4	I/O A38	47	U2	I/O B30	94	U14	I/O C22	132	K17	I/O D14	172	C13
I/O A7	10	F2	I/O A39	48	V1	I/O B31	95	V15	I/O C23	133	J20	I/O D15	173	B13
I/O A8	11	F1	I/O B0	50	U3	I/O B32	96	W16	I/O C24	134	J19	I/O D16	174	A13
I/O A9	12	G3	I/O B1	51	V2	I/O B33	97	Y17	I/O C25	135	J18	I/O D17	175	D12
I/O A10	13	G2	I/O B2	52	W4	I/O B34	98	V16	I/O C26	136	J17	I/O D18	176	C12
I/O A11	14	G1	I/O B3	53	V4	I/O B35	99	W17	I/O C27	138	H19	I/O D19	177	B12
I/O A12	16	H2	I/O B4	55	Y3	I/O B36	101	U16	I/O C28	140	G20	I/O D20	186	A9
I/O A13	18	J4	I/O B5	56	Y4	I/O B37	102	V17	I/O C29	141	G19	I/O D21	187	B9
I/O A14	19	J3	I/O B6	57	V5	I/O B38	103	W18	I/O C30	142	F20	I/O D22	188	C9
I/O A15	20	J2	I/O B7	58	W5	I/O B39	104	Y19	I/O C31	143	G18	I/O D23	189	D9
I/O A16	21	J1	I/O B8	59	Y5	I/O C0	106	T17	I/O C32	144	F19	I/O D24	190	A8
I/O A17	22	K2	I/O B9	60	V6	I/O C1	107	V20	I/O C33	145	E20	I/O D25	191	B8
I/O A18	23	K3	I/O B10	61	U7	I/O C2	108	U20	I/O C34	146	G17	I/O D26	192	C8
I/O A19	24	K1	I/O B11	62	W6	I/O C3	109	T18	I/O C35	147	F18	I/O D27	194	B7
I/O A20	26	L2	I/O B12	64	V7	I/O C4	111	T20	I/O C36	149	D20	I/O D28	196	C7
I/O A21	27	L3	I/O B13	66	Y7	I/O C5	112	R18	I/O C37	150	E18	I/O D29	197	B6
I/O A22	28	L4	I/O B14	67	V8	I/O C6	113	P17	I/O C38	151	D19	I/O D30	198	A5
I/O A23	29	M1	I/O B15	68	W8	I/O C7	114	R19	I/O C39	152	C20	I/O D31	199	D7
I/O A24	30	M2	I/O B16	69	Y8	I/O C8	115	R20	I/O D0	154	D18	I/O D32	200	C6
I/O A25	31	M3	I/O B17	70	U9	I/O C9	116	P18	I/O D1	155	C19	I/O D33	201	B5
I/O A26	32	M4	I/O B18	71	V9	I/O C10	117	P19	I/O D2	157	B17	I/O D34	202	A4
I/O A27	34	N2	I/O B19	72	W9	I/O C11	118	P20	I/O D3	158	C17	I/O D35	203	C5
I/O A28	36	P1	I/O B20	82	W12	I/O C12	120	N19	I/O D4	160	A18	I/O D36	205	A3
I/O A29	37	P2	I/O B21	83	V12	I/O C13	122	M17	I/O D5	161	A17	I/O D37	206	D5
I/O A30	38	R1	I/O B22	84	U12	I/O C14	123	M18	I/O D6	162	C16	I/O D38	207	C4
I/O A31	39	P3	I/O B23	85	Y13	I/O C15	124	M19	I/O D7	163	B16	I/O D39	208	B3

**Signal Configuration: ispGDX160/A**

**ispGDX160/A 272-Ball BGA Signal Diagram**

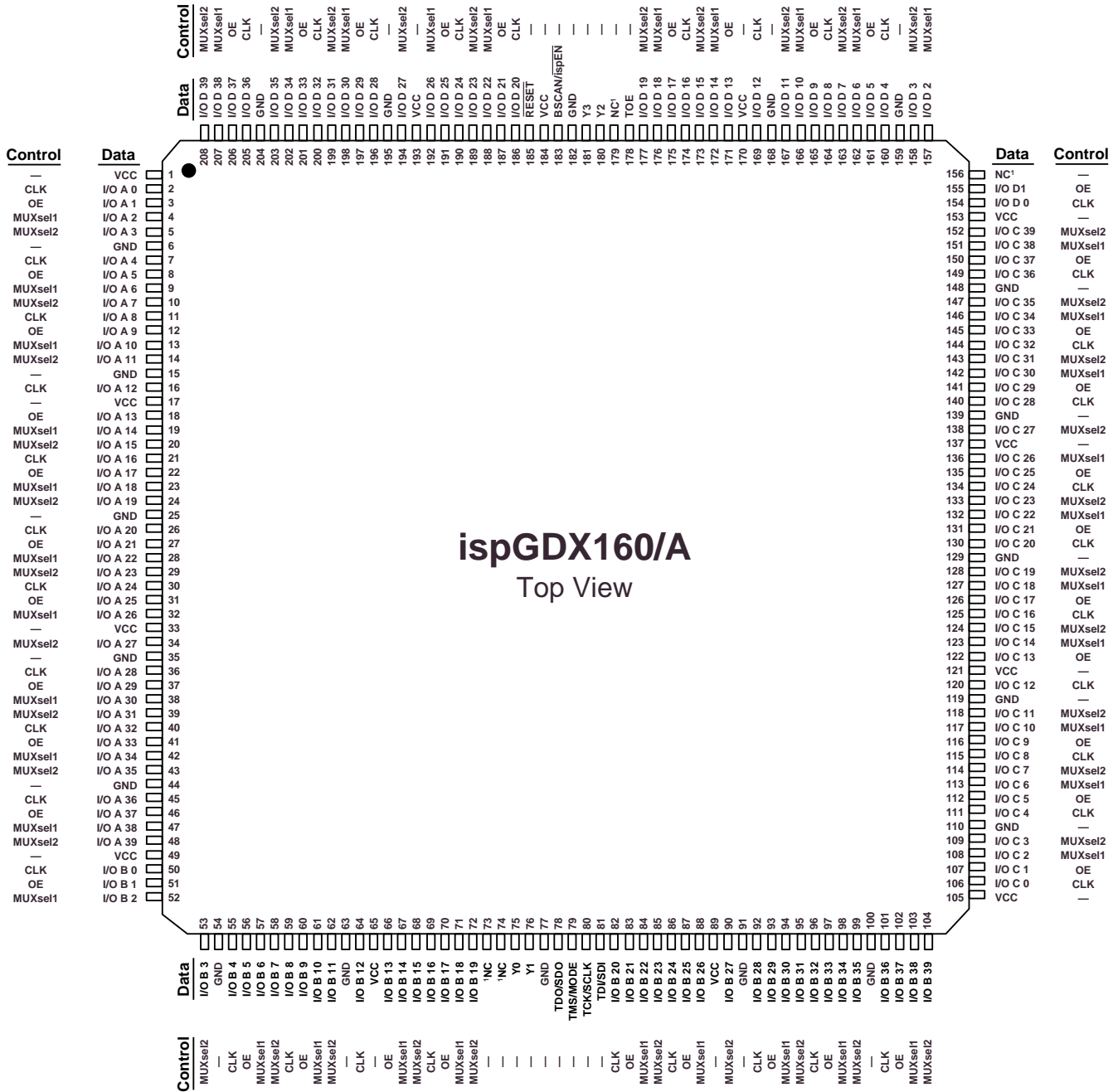


1. NCs are not to be connected to any active signals, Vcc or GND.

Note: Ball A1 indicator dot on top side of package.

**Pin Configuration: ispGDx160/A**

**ispGDx160/A 208-Pin PQFP (with Heat Spreader) Pinout Diagram**



1. No Connect Pins (NC) are not to be connected to any active signal, Vcc or GND.

## Signal Locations: ispGDx120A

Signal	176-Pin TQFP	160-Pin PQFP
TOE	150	136
RESET	156	142
Y0, Y1, Y2, Y3,	63, 64, 152, 153	57, 58, 138, 139
BSCAN/ispEN	154	140
TDI/SDI	69	63
TCK/SCLK	68	62
TMS/MODE	67	61
TDO/SDO	66	60
GND	8, 17, 27, 37, 50, 65, 77, 91, 101, 110, 120, 129, 144, 161, 170	6, 15, 25, 35, 44, 59, 71, 81, 91, 100, 110, 119, 130, 147, 156
VCC	3, 19, 35, 55, 79, 99, 115, 136, 155, 159	1, 17, 33, 49, 73, 89, 105, 122, 141, 145
NC <sup>1</sup>	1, 2, 43, 44, 45, 46, 61, 62, 87, 88, 89, 90, 130, 131, 132, 133, 134, 151, 175, 176	55, 56, 120, 137

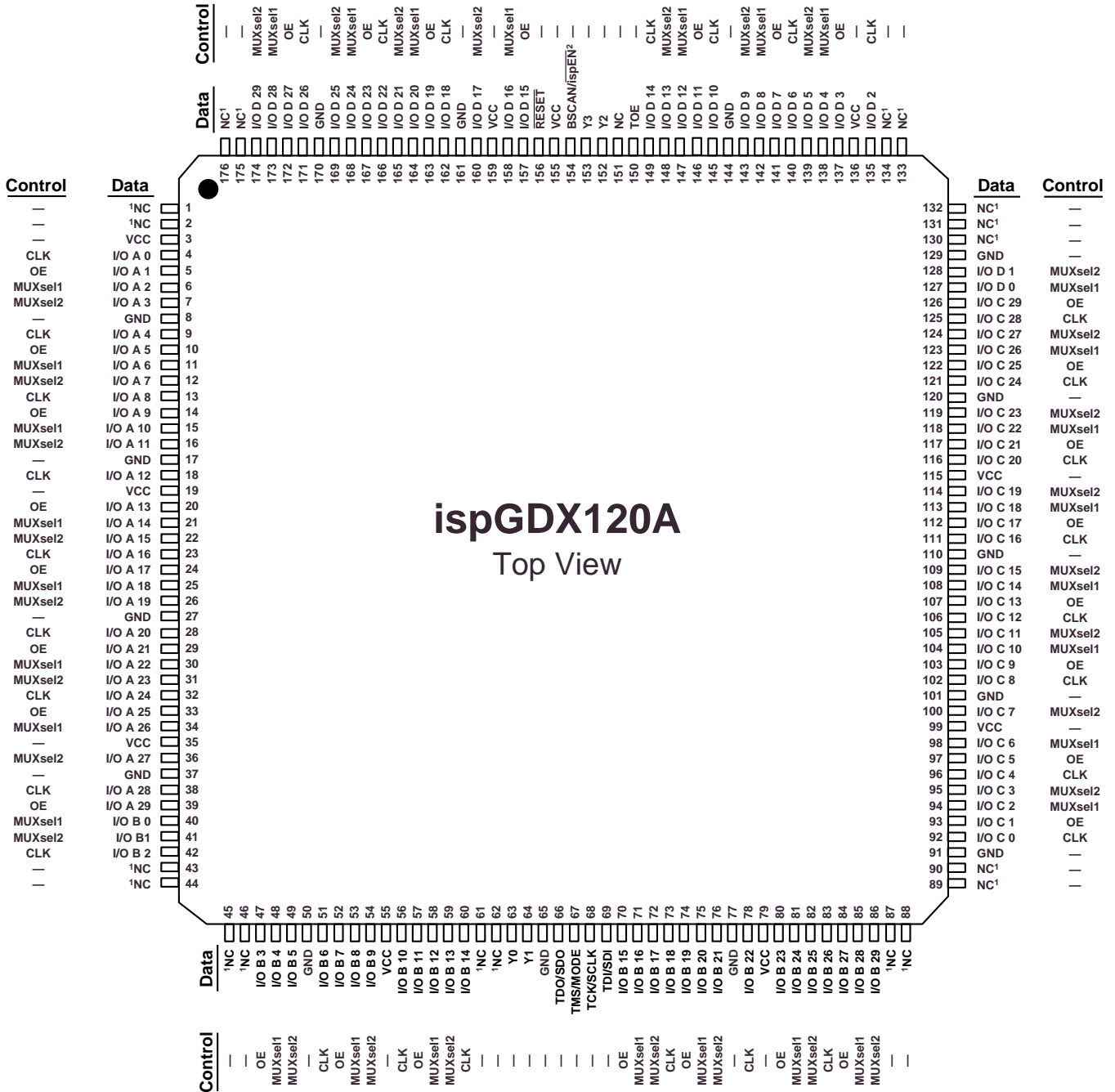
1. NC pins are not to be connected to any active signals, VCC or GND.

## I/O Locations: ispGDx120A

Signal	176 TQFP	160 PQFP	Signal	176 TQFP	160 PQFP	Signal	176 TQFP	160 PQFP	Signal	176 TQFP	160 PQFP	Signal	176 TQFP	160 PQFP
I/O A0	4	2	I/O A24	32	30	I/O B18	73	67	I/O C12	106	96	I/O D6	140	126
I/O A1	5	3	I/O A25	33	31	I/O B19	74	68	I/O C13	107	97	I/O D7	141	127
I/O A2	6	4	I/O A26	34	32	I/O B20	75	69	I/O C14	108	98	I/O D8	142	128
I/O A3	7	5	I/O A27	36	34	I/O B21	76	70	I/O C15	109	99	I/O D9	143	129
I/O A4	9	7	I/O A28	38	36	I/O B22	78	72	I/O C16	111	101	I/O D10	145	131
I/O A5	10	8	I/O A29	39	37	I/O B23	80	74	I/O C17	112	102	I/O D11	146	132
I/O A6	11	9	I/O B0	40	38	I/O B24	81	75	I/O C18	113	103	I/O D12	147	133
I/O A7	12	10	I/O B1	41	39	I/O B25	82	76	I/O C19	114	104	I/O D13	148	134
I/O A8	13	11	I/O B2	42	40	I/O B26	83	77	I/O C20	116	106	I/O D14	149	135
I/O A9	14	12	I/O B3	47	41	I/O B27	84	78	I/O C21	117	107	I/O D15	157	143
I/O A10	15	13	I/O B4	48	42	I/O B28	85	79	I/O C22	118	108	I/O D16	158	144
I/O A11	16	14	I/O B5	49	43	I/O B29	86	80	I/O C23	119	109	I/O D17	160	146
I/O A12	18	16	I/O B6	51	45	I/O C0	92	82	I/O C24	121	111	I/O D18	162	148
I/O A13	20	18	I/O B7	52	46	I/O C1	93	83	I/O C25	122	112	I/O D19	163	149
I/O A14	21	19	I/O B8	53	47	I/O C2	94	84	I/O C26	123	113	I/O D20	164	150
I/O A15	22	20	I/O B9	54	48	I/O C3	95	85	I/O C27	124	114	I/O D21	165	151
I/O A16	23	21	I/O B10	56	50	I/O C4	96	86	I/O C28	125	115	I/O D22	166	152
I/O A17	24	22	I/O B11	57	51	I/O C5	97	87	I/O C29	126	116	I/O D23	167	153
I/O A18	25	23	I/O B12	58	52	I/O C6	98	88	I/O D0	127	117	I/O D24	168	154
I/O A19	26	24	I/O B13	59	53	I/O C7	100	90	I/O D1	128	118	I/O D25	169	155
I/O A20	28	26	I/O B14	60	54	I/O C8	102	92	I/O D2	135	121	I/O D26	171	157
I/O A21	29	27	I/O B15	70	64	I/O C9	103	93	I/O D3	137	123	I/O D27	172	158
I/O A22	30	28	I/O B16	71	65	I/O C10	104	94	I/O D4	138	124	I/O D28	173	159
I/O A23	31	29	I/O B17	72	66	I/O C11	105	95	I/O D5	139	125	I/O D29	174	160

**Pin Configuration: ispGDX120A**

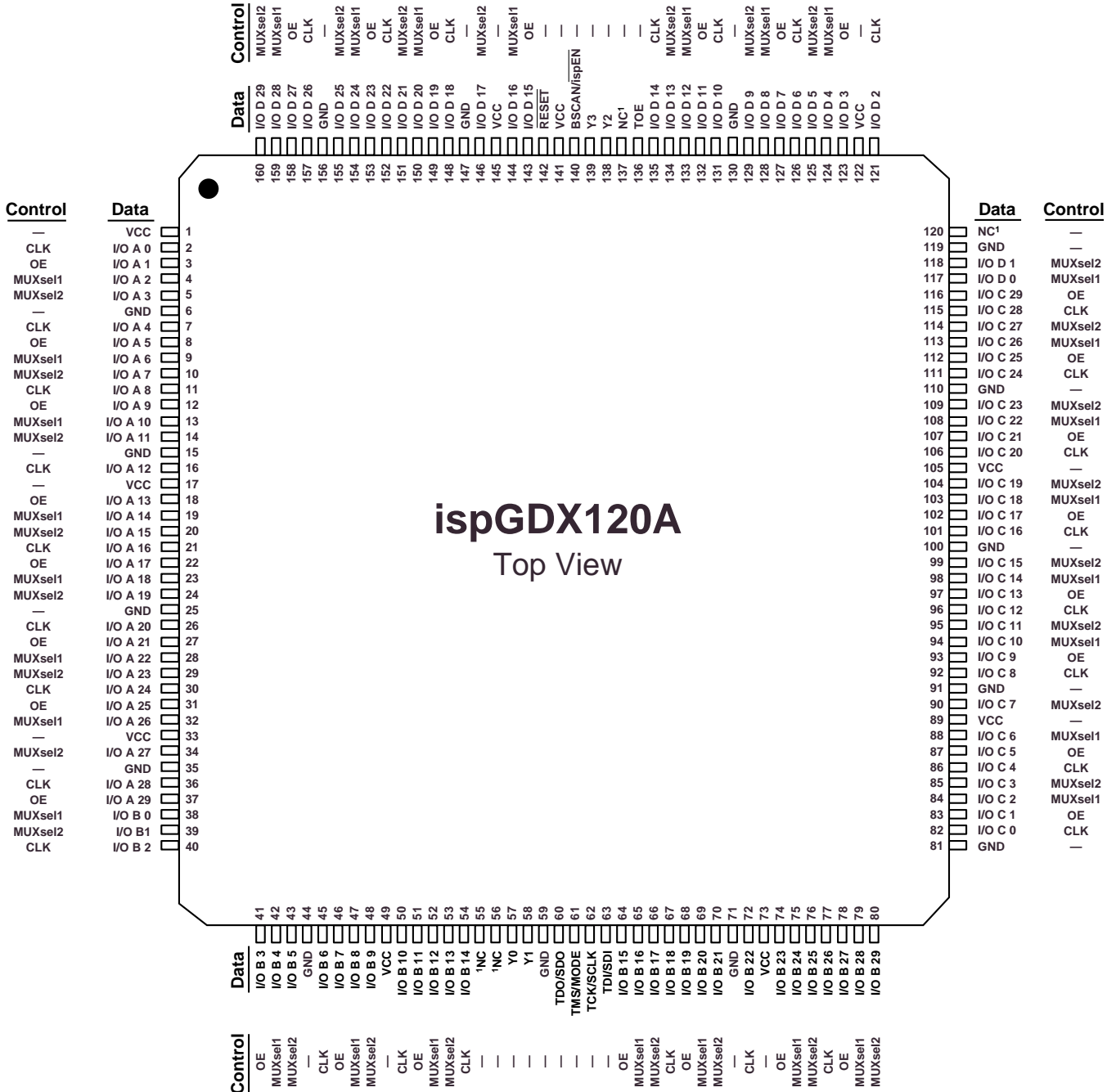
**ispGDX120A 176-Pin TQFP Pinout Diagram**



1. NC pins are not to be connected to any active signals, VCC or GND.

**Pin Configuration: ispGDX120A**

ispGDX120A 160-Pin PQFP Pinout Diagram



1. NC pins are not to be connected to any active signals, VCC or GND.

**Signal Locations: ispGDX80A**

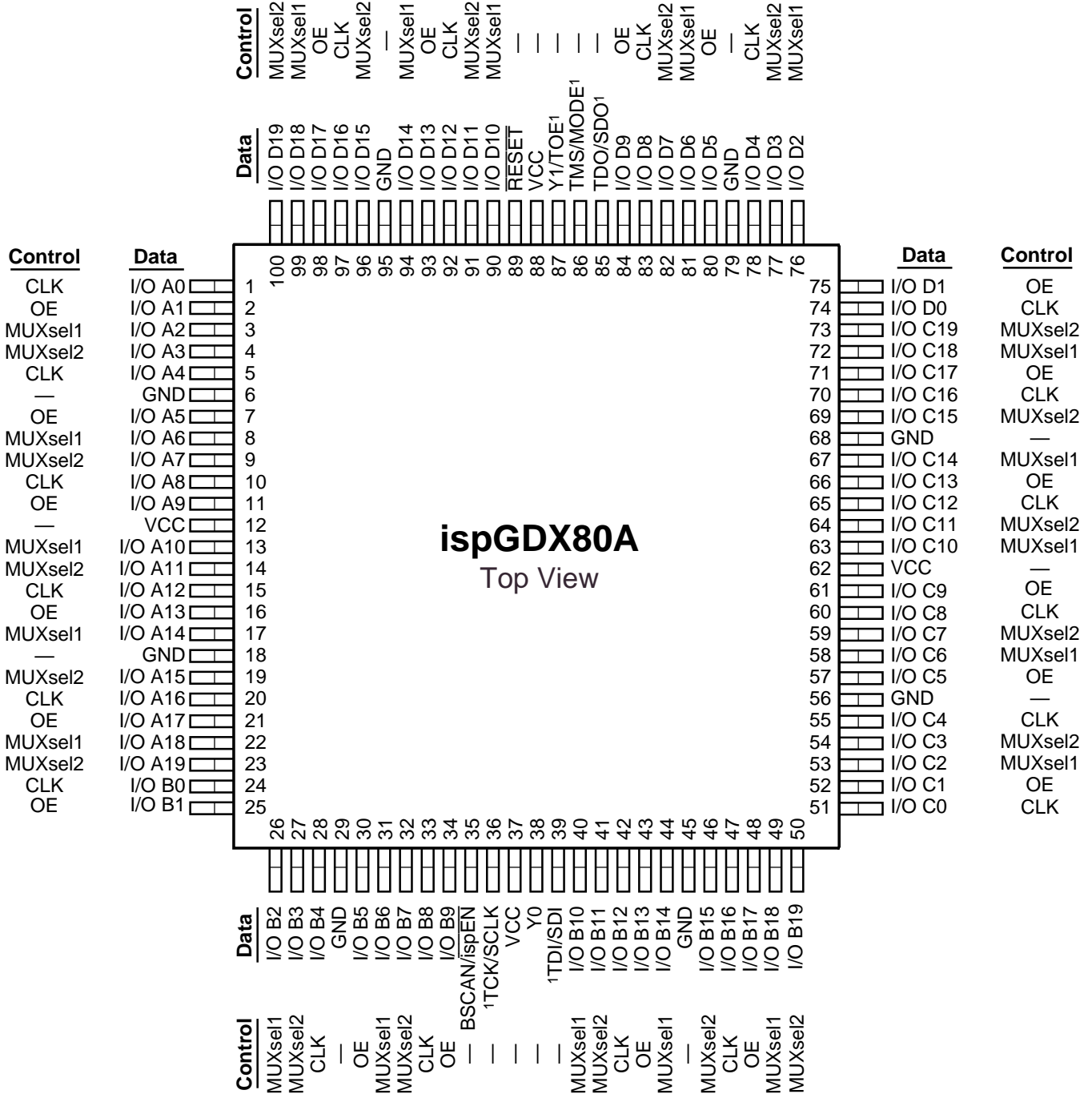
Signal	100-Pin TQFP
Y1/TOE	87
Y0	38
RESET	89
BSCAN/ispEN	35
TDI/SDI	39
TCK/SCLK	36
TMS/MODE	86
TDO/SDO	85
GND	6, 18, 29, 45, 56, 68, 79, 95
VCC	12, 37, 62, 88

**I/O Locations: ispGDX80A**

Signal	100 TQFP	Signal	100 TQFP	Signal	100 TQFP	Signal	100 TQFP
I/O A0	1	I/O B0	24	I/O C0	51	I/O D0	74
I/O A1	2	I/O B1	25	I/O C1	52	I/O D1	75
I/O A2	3	I/O B2	26	I/O C2	53	I/O D2	76
I/O A3	4	I/O B3	27	I/O C3	54	I/O D3	77
I/O A4	5	I/O B4	28	I/O C4	55	I/O D4	78
I/O A5	7	I/O B5	30	I/O C5	57	I/O D5	80
I/O A6	8	I/O B6	31	I/O C6	58	I/O D6	81
I/O A7	9	I/O B7	32	I/O C7	59	I/O D7	82
I/O A8	10	I/O B8	33	I/O C8	60	I/O D8	83
I/O A9	11	I/O B9	34	I/O C9	61	I/O D9	84
I/O A10	13	I/O B10	40	I/O C10	63	I/O D10	90
I/O A11	14	I/O B11	41	I/O C11	64	I/O D11	91
I/O A12	15	I/O B12	42	I/O C12	65	I/O D12	92
I/O A13	16	I/O B13	43	I/O C13	66	I/O D13	93
I/O A14	17	I/O B14	44	I/O C14	67	I/O D14	94
I/O A15	19	I/O B15	46	I/O C15	69	I/O D15	96
I/O A16	20	I/O B16	47	I/O C16	70	I/O D16	97
I/O A17	21	I/O B17	48	I/O C17	71	I/O D17	98
I/O A18	22	I/O B18	49	I/O C18	72	I/O D18	99
I/O A19	23	I/O B19	50	I/O C19	73	I/O D19	100

**Pin Configuration: ispGDX80A**

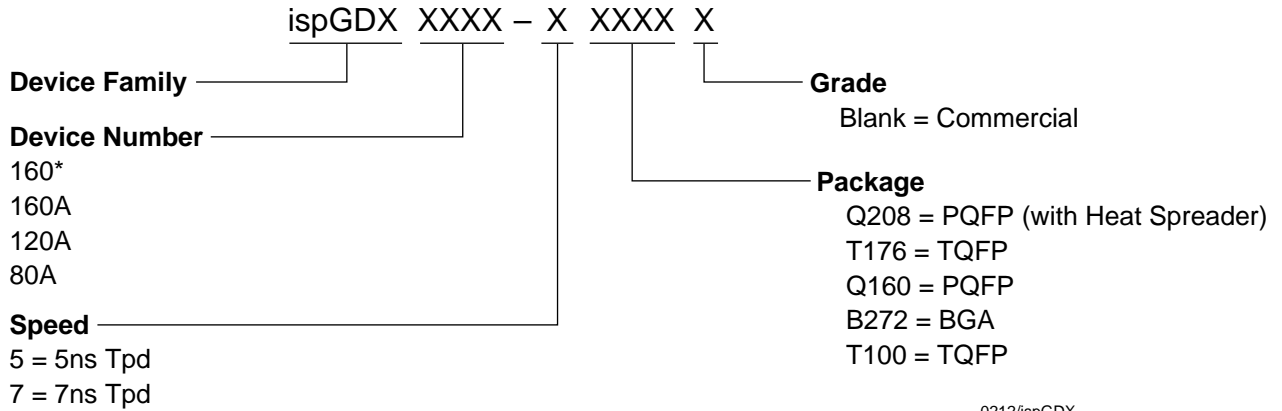
ispGDX80A 100-Pin TQFP Pinout Diagram



1. Pins have dual function capability.



**Part Number Description**



0212/ispGDX

**Ordering Information**

**COMMERCIAL**

I/O PINS	tpd (ns)	ORDERING NUMBER	PACKAGE
160	5	ispGDX160-5Q208*	208-Pin PQFP
	5	ispGDX160-5B272*	272-Ball BGA
	7	ispGDX160-7Q208*	208-Pin PQFP
	7	ispGDX160-7B272*	272-Ball BGA
160A	5	ispGDX160A-5Q208	208-Pin PQFP
	5	ispGDX160A-5B272	272-Ball BGA
	7	ispGDX160A-7Q208	208-Pin PQFP
	7	ispGDX160A-7B272	272-Ball BGA
120	5	ispGDX120A-5T176	176-Pin TQFP
	5	ispGDX120A-5Q160	160-Pin PQFP
	7	ispGDX120A-7T176	176-Pin TQFP
	7	ispGDX120A-7Q160	160-Pin PQFP
80	5	ispGDX80A-5T100	100-Pin TQFP
	7	ispGDX80A-7T100	100-Pin TQFP

\*ispGDX160A recommended for new designs.

Table 2-0041/ispGDX