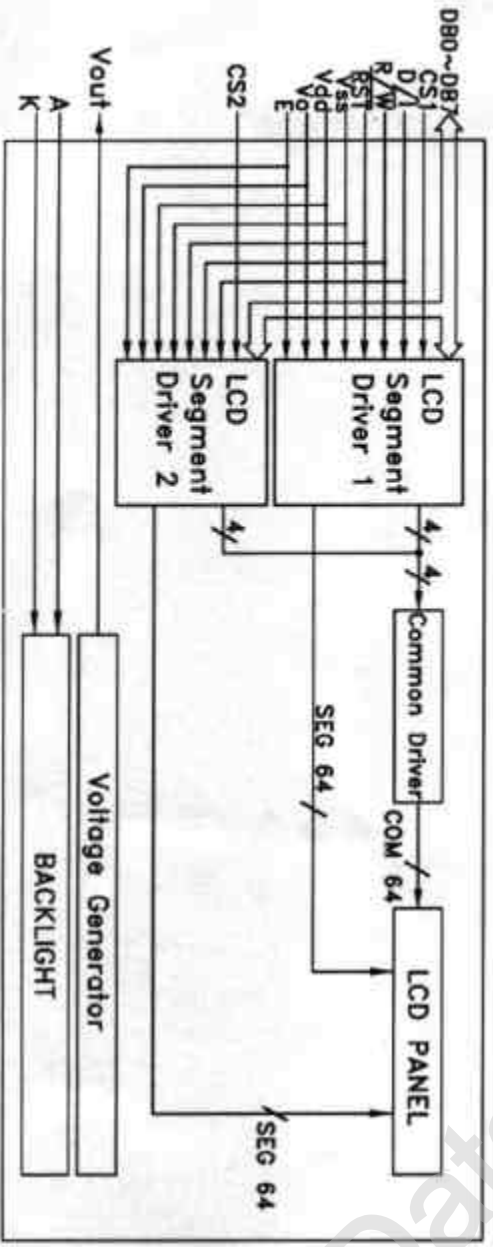
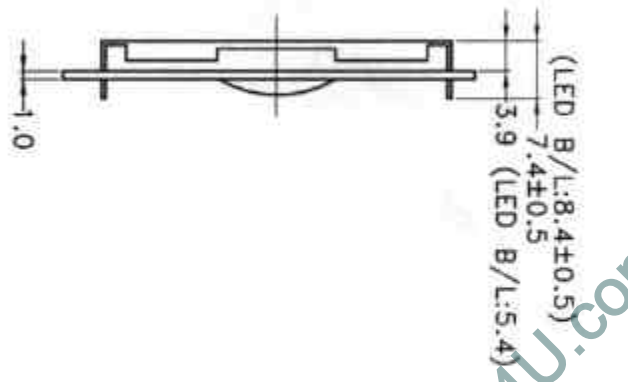
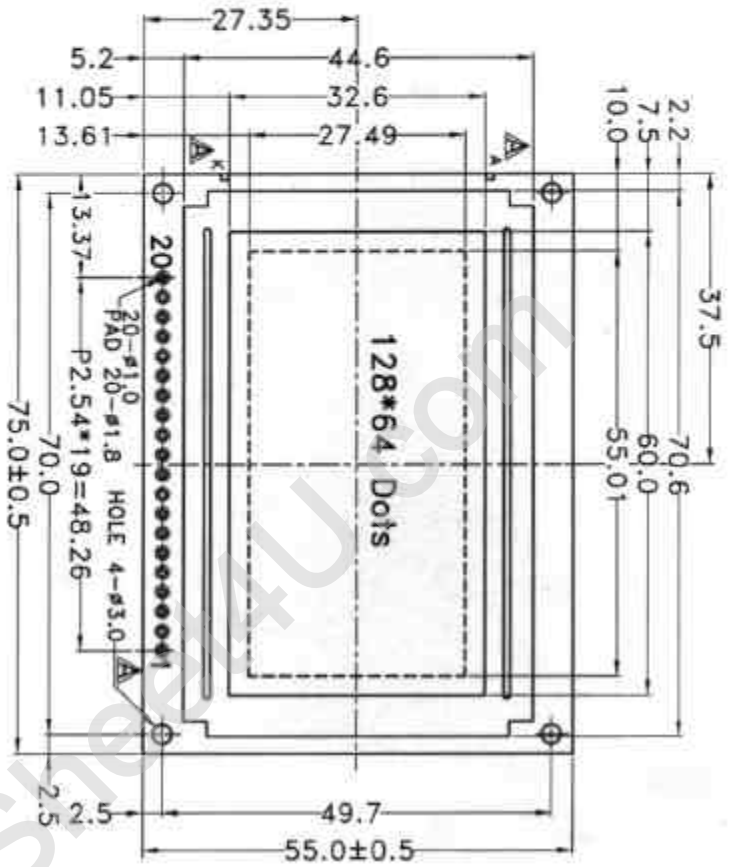
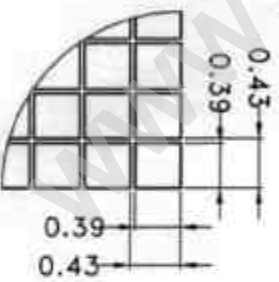


液晶之友 电话: 020-33819057
 Http://www.lcdfriends.com



The tolerance unless classified ±0.3mm



SCALE: 15/1

PIN NO.	SIGNAL
1	VSS
2	Vdd
3	V ₀
4	D/I
5	R/W
6	E
7	DB0
8	DB1
9	DB2
10	DB3
11	DB4
12	DB5
13	DB6
14	DB7
15	CS1
16	CS2
17	RST
18	Vout
19	A
20	K

POWER TIP TECHNOLOGY			
SCALE:	1/1	MODEL NAME	TE-12864J-Y4
UNIT:	mm	TITLE	SAMPLE DRAWING
EDI: PAGE:	1/1	DRAWN NO.	
A	1/1	DTR-01075	
APPROVED	CHECKER	DRAWN	