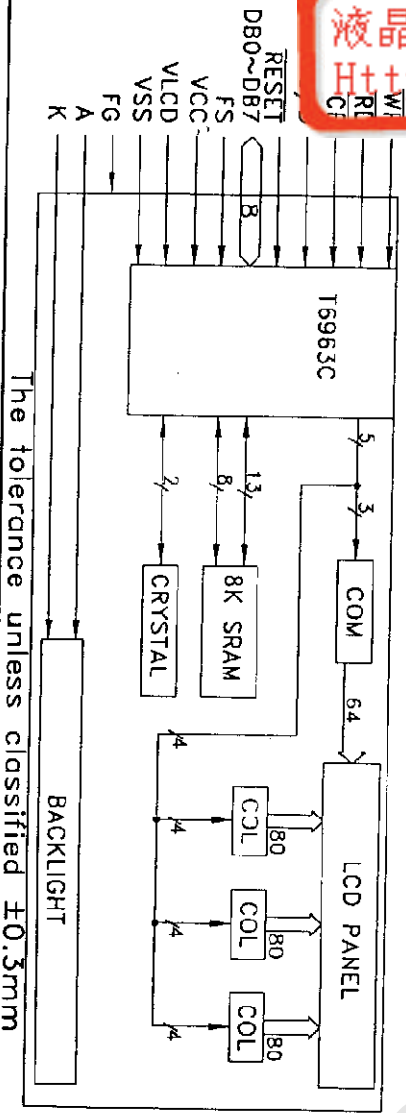
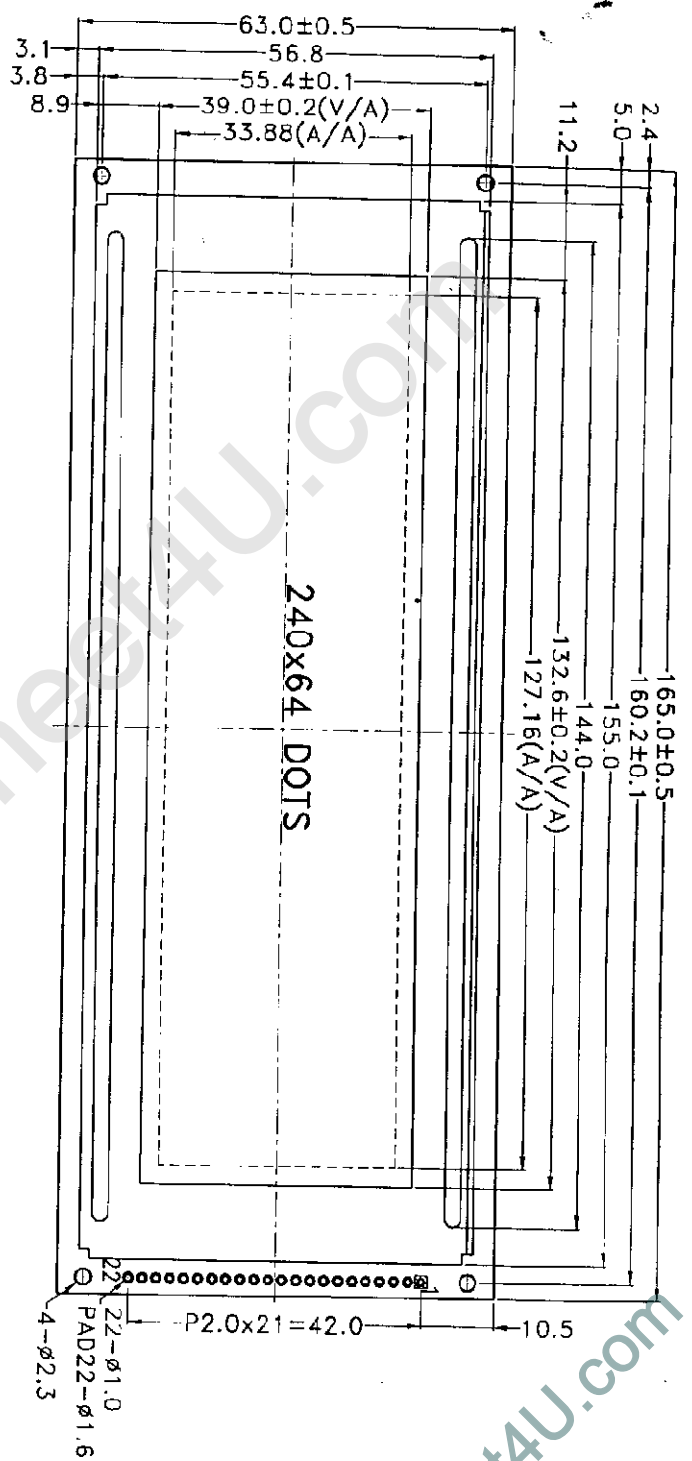
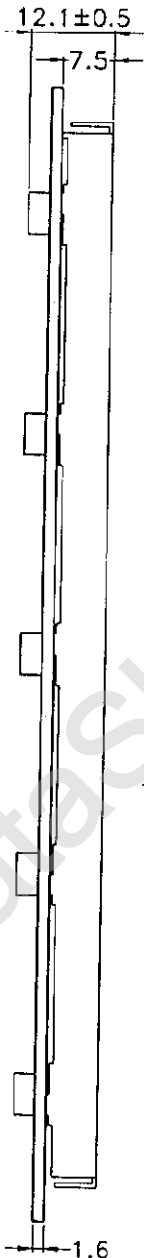


液晶之友 电话: 020-33819057
[Http://www.lcdfriends.com](http://www.lcdfriends.com)



The tolerance unless classified $\pm 0.3\text{mm}$



DOTS
SCALE: 10/1

PIN NO.	SIGNAL
1	FG
2	VSS
3	VCC
4	VLCD
5	WR
6	RD
7	OE
8	C/D
9	NC
10	RESET
11	DB0
12	DB1
13	DB2
14	DB3
15	DB4
16	DB5
17	DB6
18	DB7
19	FS
20	NC
21	LED A
22	LED K

TECHNOLOGY

MODEL NAME

PS 24064LRF-KTA-H01

TITLE

COUNTER DRAWING

EDD: PAGE: DRAWN NO.

PG-01014-001

0 1/1

CHIEF DESIGNER

何瑞文

91.1.31

何瑞文

0.04

0.04



UNIT: mm	EDD: PAGE: DRAWN NO.	PG-01014-001
0 1/1	CHIEF DESIGNER	何瑞文
91.1.31	91.1.31	91.1.31