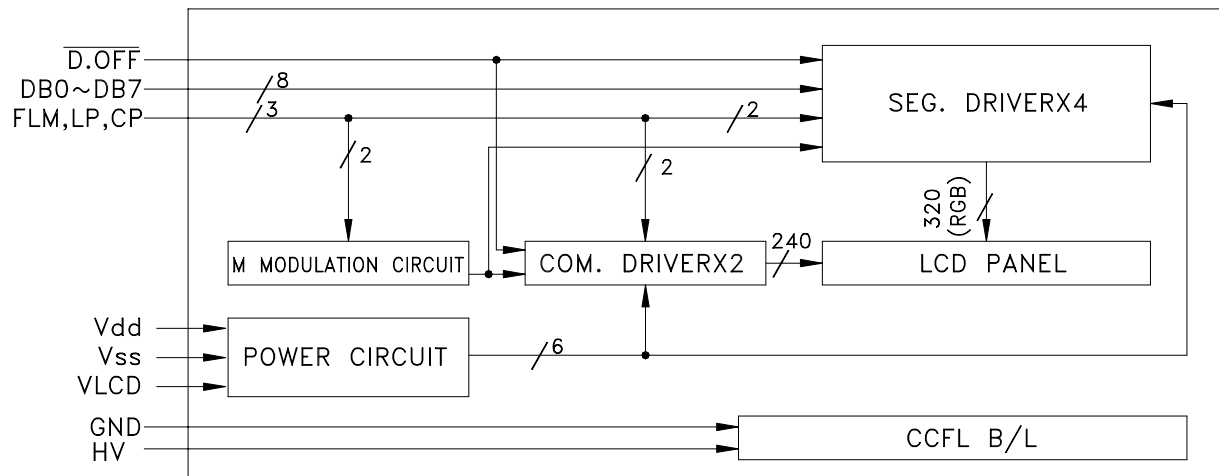


The tolerance unless classified ±0.3mm

POWERTIP TECHNOLOGY			
SCALE:		MODEL NAME	
1/1		PH 320240-A	
UNIT:		TITLE	
mm		COUNTER DRAWING	
EDI:	PAGE:	DRAWN NO.	
0	1/2	PH-02001	
APPROVED	CHECKER	DRAWN	



CCFL PIN OUT	
PIN NO.	SIGNAL
1	GND
2	NC
3	NC
4	HV

CON 1	
PIN NO.	SIGNAL
1	FLM
2	LP
3	CP
4	D.OFF
5	VDD
6	VSS
7	VLCD
8	DB0
9	DB1
10	DB2
11	DB3
12	DB4
13	DB5
14	DB6
15	DB7
16	VSS

POWERTIP TECHNOLOGY		
SCALE:	MODEL NAME	
1/1	PH 320240-A	
UNIT:	TITLE	
mm	COUNTER DRAWING	
EDI:	DRAWN NO.	
0	2/2	PH-02001
APPROVED	CHECKER	DRAWN