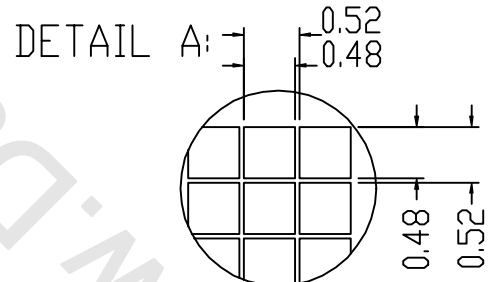
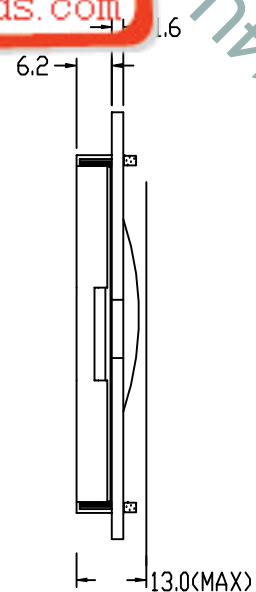
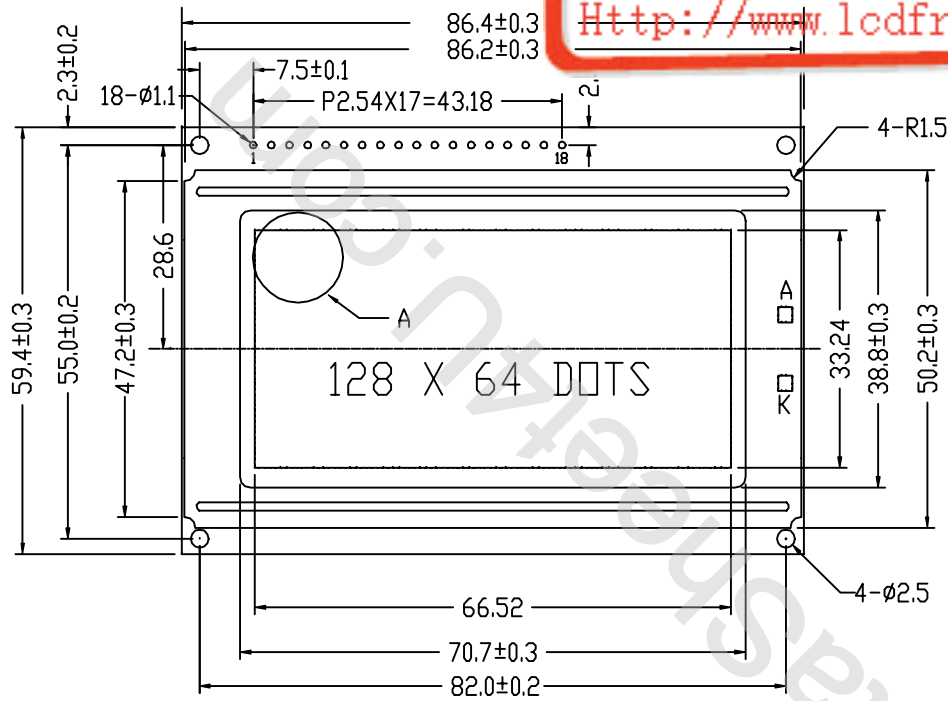

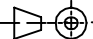


液晶之友 电话: 020-33819057
[Http://www.lcdfriends.com](http://www.lcdfriends.com)



| | | | | | | | | |
|-----|-----|-----|-----|-----|-----|-----|-----|------|
| 1 | 2 | 3 | 4 | 5 | 6 | 7 | 8 | 9 |
| VSS | VDD | V0 | D/I | R/W | E | DB0 | DB1 | DB2 |
| 10 | 11 | 12 | 13 | 14 | 15 | 16 | 17 | 18 |
| DB3 | DB4 | DB5 | DB6 | DB7 | CS1 | CS2 | RST | Vout |

- NOTES:
- 1.DISPLAY TYPE: STN/YELLOW MODE
 - 2.VIEWING DIRECTION: 6:00
 - 3.POLARIZER MODE: TRANSFLECTIVE/POSITIVE
 - 4.OPERATING TEMP: -10°C~+60°C
 - 5.STORAGE TEMP: -30°C~+70°C
 - 6.DRIVE METHOD: 1/64 DUTY 1/9 BIAS
 - 7.BACKLIGHT TYPE: LED
 - 8.CONTRROLLER: KS0108B
 - 9.LCD OPERATING VOLTAGE: 13.0V
 - 10.BEZEL IS TO BE PAINTED BLACK
 - 11.UNMARKED TOLERANCES: ±0.3mm

| | | |
|---|---------------|---|
|  TIAN-MA MICROELECTRONICS CO. 22/F., HANGDU Building, Shennan Road, Central, Shenzhen, China | |  |
| | | |
| DRAWN BY: | CHECKED BY: | DWG NO: G-1 SCALE: |
| APPROVED BY: | CONFIRMED BY: | UNIT: mm DWG NAME: TM12864BBCW6-1 SHEET NO: 0F |