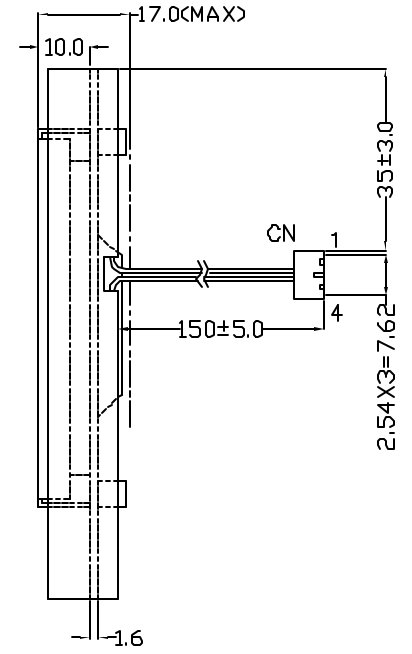
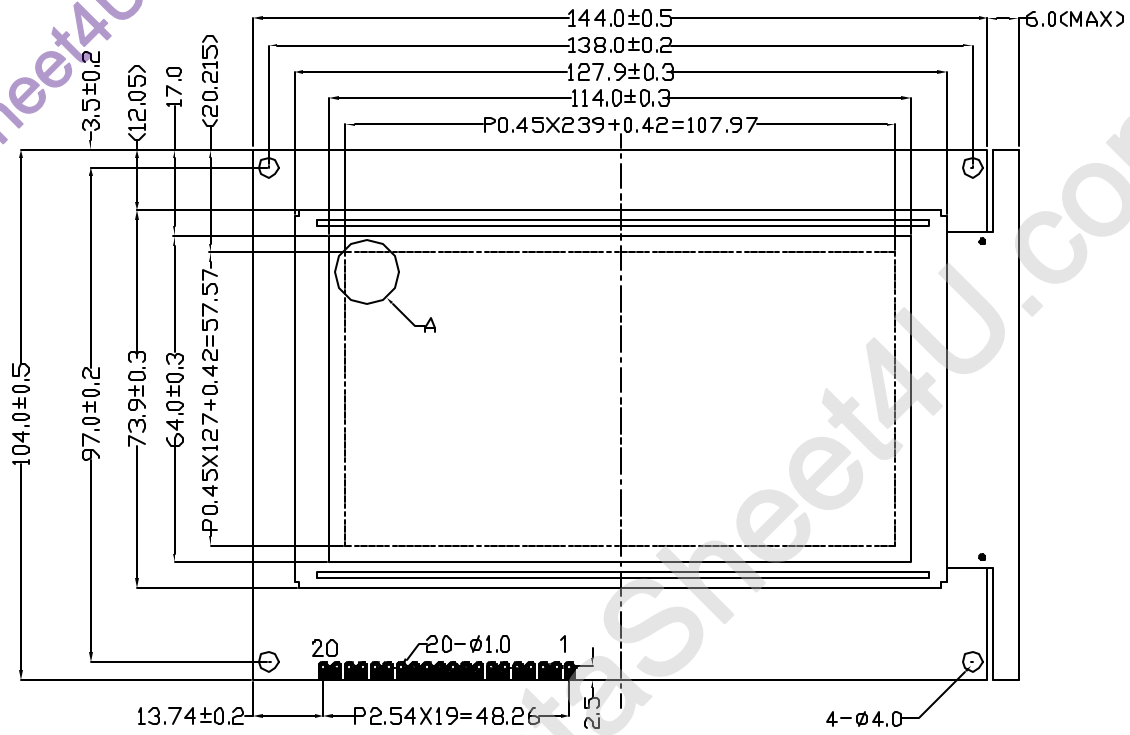
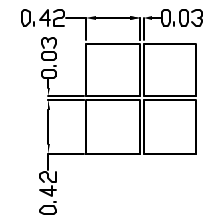


www.DataSheet4U.com




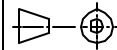
1	2	3	4	5	6	7	8	9	10	11	12	13	14	15	16	17	18	19	20
VSS	VDD	VO	C/D	RD	WR	D0	D1	D2	D3	D4	D5	D6	D7	CE	RST	VEE	MD2	FS	NC

DETAIL A:



PIN CN ASSIGNMENT	
1	CFL HOT
2	NC
3	NC
4	CFLGND

- NOTES:
1. DISPLAY TYPE: STN or FSTN
 2. VIEWING DIRECTION: 6:00 or 12:00
 3. POLARIZER MODE: REFLECTIVE or TRANFLECTIVE
 4. DRIVE METHOD: 1/128 DUTY 1/12 BIAS
 5. LCD OPERATING VOLTAGE: 18.5V
 6. OPERATING TEMP: NORMAL or WIDE
 7. STORAGE TEMP: NORMAL or WIDE
 8. BACKLIGH TYPE: NONE, CCFL, LED, or EL
 9. BEZEL IS TO BE PAINTED BLACK
 10. UNMARKED TOLERANCES: ±0.3

 TIAN-MA MICROELECTRONICS CO. 6/F., CASTIC Building, Shennan Road, Central, Shenzhen, China		
TITLE: TM240128C DWG NO: G-1 DWG NAME: TM240128CF00-1		SCALE: _____ UNIT: mm SHEET NO: 01