

Dual-Input Triple-Output Power Multiplexer for USB High Side Switch

General Description

The uP7537 is a current limited, dual-input triple-output power multiplexer acting as a high side switch for USB applications where heavy capacitive loads and short-circuits are likely to be encountered. It switches output voltages to 5VSB at S3/S4/S5 states with typical 400mΩ switches and 200mA capacity; to 5VCC at S0/S1/S2 states with typical 80mΩ switches and 1.2A capacity. The outputs can be paralleled to provide totally 3.0A output current at S0/S1/S2 states.

Optimal switch logic according to S3# and 5VCC status ensures seamless output voltage transition.

When the output load exceeds the current-limit threshold or a short is present, the uP7537 asserts over current protection and limits the output current to a safe level by driving the power switches into saturation mode.

Other features include soft-start to limit inrush current during plug-in, thermal shutdown to prevent catastrophic switch failure from high-current loads, under-voltage lockout (UVLO) to ensure that the device remains off unless there is a valid input voltage present. The uP7537 is available in PSOP-8L package.

Ordering Information

Order Number	Package Type	Top Marking
uP7537ASU8	PSOP-8L	uP7537A8
uP7537BSU8		uP7537B8

Note: uPI products are compatible with the current IPC/JEDEC J-STD-020 requirement. They are halogen-free, RoHS compliant and 100% matte tin (Sn) plating that are suitable for use in SnPb or Pb-free soldering processes.

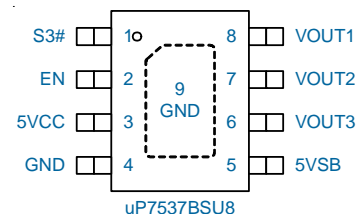
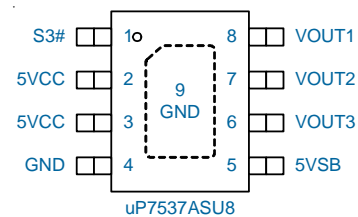
Features

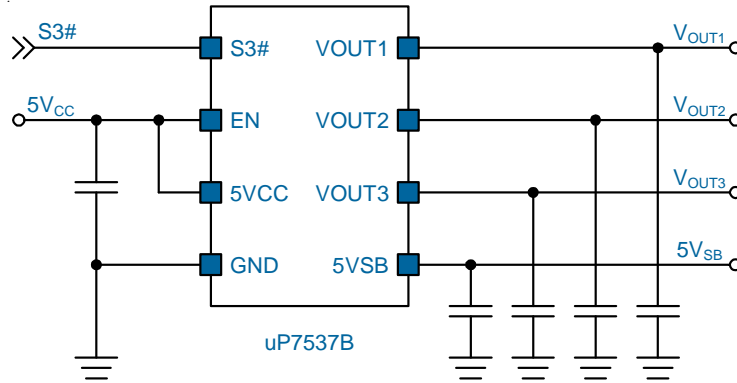
- Compliant to USB Specifications
- Operating Range: 4.5 V to 5.5 V
- Output Voltage Switch to 5VSB at S3/S4/S5
 - 200mA Continuous Load Current
 - Typical 400mΩ High Side Switch
- Output Voltage Switch to 5VCC at S0/S1/S2
 - 1.2A Continuous Load Current
 - Typical 80mΩ High Side Switch
- Low Quiescent Current: 100uA Typical
- Slow Turn On and Fast Turn Off
- Enable Active-High
- UL Approved : E338429
- TuV EN60950-1 Certification
- CB IEC60950-1 Certification
- RoHS Compliant and Halogen Free

Applications

- Notebook and Desktop PCs
- USB Power Management
- ACPI Power Distribution
- Hot-Plug Power Supplies

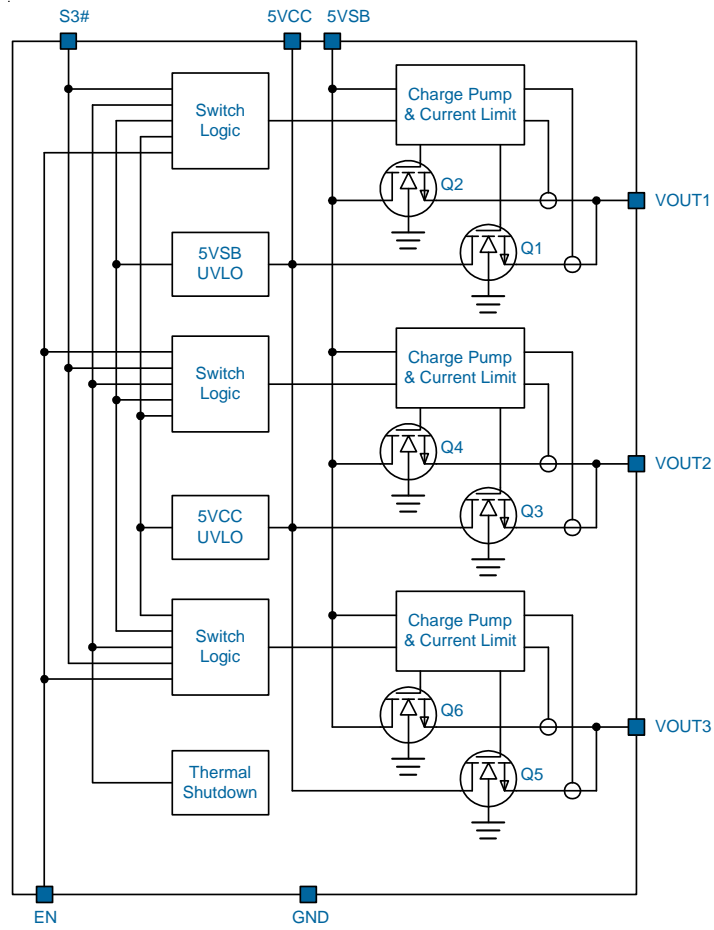
Pin Configuration



Typical Application Circuit

Functional Pin Description

Pin Name	Pin Function
S3#	Sleep State Control Pin. This pin along with the 5VCC status controls the switching configuration.
EN	Chip Enable. Logic high enables the output voltages.
5VCC	Supply Input from 5VCC. This pin is the N-Channel MOSFET Drain that supplies output current at S0/S1/S2 states and should be connected to 5VCC. Bypass this pin with a minimum 10uF capacitors to ground.
GND	Ground.
5VSB	Supply Input. This pin is the N-Channel MOSFET Drain that supplies output current at S3/S4/S5 states and should be connected to 5VSB. This pin also supplies operating current for the device. Bypass this pin with a minimum 10uF capacitor to ground.
VOUT3	Output Voltage3. This pin is output from N-Channel MOSFET Sources. Bypass this pin with a minimum 10uF capacitor to ground.
VOUT2	Output Voltage2. This pin is output from N-Channel MOSFET Sources. Bypass this pin with a minimum 10uF capacitor to ground.
VOUT1	Output Voltage1. This pin is output from N-Channel MOSFET Sources. Bypass this pin with a minimum 10uF capacitor to ground.

Functional Block Diagram



Functional Description

The uP7537 is a current limited, dual-input triple-output power multiplexer acting as a high side switch for USB applications where heavy capacitive loads and short-circuits are likely to be encountered. It switches output voltages to 5VSB at S3/S4/S5 states with typical 400mΩ switches and 200mA capacity; to 5VCC at S0/S1/S2 states with typical 80mΩ switches and 1.2A capacity. The outputs can be paralleled to provide totally 3.0A output current at S0/S1/S2 states.

Optimal switch logic according to S3# and 5VCC status ensures seamless output voltage transition.

When the output load exceeds the current-limit threshold or a short is present, the uP7537 asserts over current protection and limits the output current to a safe level by driving the power switches into saturation mode.

Other features include soft-start to limit inrush current during plug-in, thermal shutdown to prevent catastrophic switch failure from high-current loads, under-voltage lockout (UVLO) to ensure that the device remains off unless there is a valid input voltage present. The uP7537 is available in PSOP-8L package.

Power Switches

Each output contains two N-Channel MOSFETs Q1/Q3/Q5 and Q2/Q4/Q6 as power switches that supply output current to VOUT pins. The sources of Q1/Q3/Q5 and Q2/Q4/Q6 are connected together to the VOUT1/VOUT2/VOUT3 respectively, the drain of Q1/Q3/Q5 are connected to 5VCC pins and the drain of Q2/Q4/Q6 are connected to 5VSB

pin. The MOSFETs are without body diode and prevent current flows when turned off.

Q2/Q4/Q6 are typical 400mΩ MOSFETs with 200mA capacity and Q1/Q3/Q5 are typical 80mΩ MOSFETs with 1.2A capacity. The power switches are driven by internal charge pumps and controlled by S3# and 5VCC status. The uP7537 switches the output voltages to 5VSB through Q2/Q4/Q6 at S3/S4/S5 states, to 5VCC through Q1/Q3/Q5 at S0/S1/S2 states.

Charge Pumps and Drivers

An internal charge pump supplies power to the driver circuit and provides the necessary voltage to pull the gate of the MOSFET above the source. The driver controls the gate voltage of the power switch. To limit large current surges and reduce the associated electromagnetic interference (EMI) produced, the driver incorporates circuitry that controls the rise times and fall times of the output voltage.

Chip Enable and Soft Start

Pulling the EN pin lower than 0.4V disables the output voltages and reduces its quiescent current down to 1uA typically. Pulling the EN pin higher than 1.4V enables the output voltages. The uP7537 features soft start function to eliminate the inrush current into downstream and voltage droop of upstream when hot-plug-in with capacitive loads. The soft start interval is 1.3ms typically. The input current to charge up the load capacitor is proportional to its capacitance. The uP7537 current limit function may active during the plug-in of extreme large capacitive load.

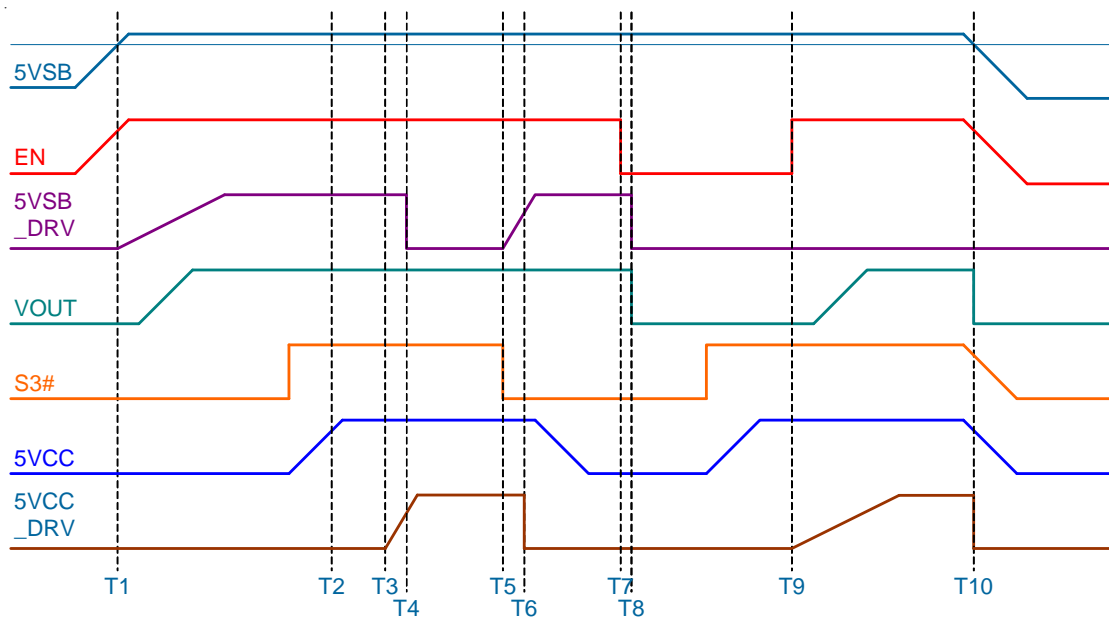


Figure 1. Typical Timing Diagram

Over Current Limit

The uP7537 continuously monitors the output current for over current protection to protect the system power, the power switch, and the load from damage during output short circuit or soft start interval. When an overload or short circuit is encountered, the current-sense circuitry sends a control signal to the driver. The driver in turn reduces the gate voltage and drives the power FET into its saturation region, which switches the output into a constant-current mode and holds the current constant while varying the voltage on the load.

Undervoltage Lockout

A voltage sense circuit monitors the input voltage. When the input voltage is below approximately 4.3V, a control signal turns off the power switch.

Overtemperature Protection

The uP7537 continuously monitor the operating temperature of the power switch for overtemperature protection. The uP7537 asserts overtemperature and turns off the power switch to prevent the device from damage if the junction temperature rises to approximately 135°C due overcurrent or short-circuit conditions. Hysteresis is built into the thermal sense, the switch will not turns back on until the device has cooled approximately 20 degrees. If the fault condition is not removed, the switch will pulse on and off as the temperature cycles between these limits.

Absolute Maximum Rating

(Note 1)

Supply Input Voltage, 5VSB	-0.3V to +5.7V
Supply Input Voltage, 5VSB Compliant with LPS (Limited Power Source) Requirement	< 8A/100VA
Other Pins	-0.3V to +5.7V
Storage Temperature Range	-65°C to +150°C
Junction Temperature	150°C
Lead Temperature (Soldering, 10 sec)	260°C
ESD Rating (Note 2)	
HBM (Human Body Mode)	2kV
MM (Machine Mode)	200V

Thermal Information

Package Thermal Resistance (Note 3)

PSOP-8L θ_{JA}	50°C/W
PSOP-8L θ_{JC}	5°C/W
Power Dissipation, P_D @ $T_A = 25^\circ\text{C}$	
PSOP-8L	2.0W

Recommended Operation Conditions

(Note 4)

Operating Junction Temperature Range	-40°C to +125°C
Operating Ambient Temperature Range	-40°C to +85°C
Supply Input Voltage, 5VSB	+4.5V to +5.5V

Electrical Characteristics

($5V_{SB} = 5V$, $T_A = 25^\circ\text{C}$, unless otherwise specified)

Parameter	Symbol	Test Conditions	Min	Typ	Max	Units
Supply Input 5VSB						
Supply Input Voltage Range			4.5	--	5.5	V
Under Voltage Lockout	V_{UVLO}	5VSB rising	--	4.3	4.5	V
UVLO Hysteresis			--	200	--	mV
Quiescent Current	I_q	No load on VOUTx, S3# = 0, 5VCC = 0V	--	100	150	uA
Quiescent Current	I_q	No load on VOUTx, S3# = 5VCC = 5V	--	200	300	uA
Shutdown Current	I_{SHDN}	EN = 0V, S3# = 5VCC = 5V.	--	1	5	uA
Supply Input 5VCC						
Supply Input Voltage Range			4.5	--	5.5	V
Under Voltage Lockout	V_{UVLO}	5VCC rising	--	4.3	4.5	V
UVLO Hysteresis			--	200	--	mV

Electrical Characteristics

Parameter	Symbol	Test Conditions	Min	Typ	Max	Units
Power Switch for 5VSB (Q2/Q4/Q6)						
N-MOSFET ON Resistance	$R_{DS(ON)}$	$I_{OUT} = 200mA @ 25^{\circ}C$	--	400	500	m Ω
Reverse Leakage Current		$V_{OUT} = 5.5V, 5VSB = 0V$	--	--	1	μA
Power Switches for 5VCC (Q1/Q3/Q5)						
N-MOSFET ON Resistance	$R_{DS(ON)}$	$I_{OUT} = 1A @ 25^{\circ}C$	--	80	100	m Ω
Reverse Leakage Current		$V_{OUT} = 5.5V, 5VCC = 0V$	--	--	1	μA
Current Limit						
Current Limit Threshold for Q2/Q4/Q6			0.4	--	--	A
Current Limit Threshold for Q1/Q3/Q5			2.2	3.0	3.8	A
Soft Start						
Output Voltage Ramp Up Time		$S3\# = 0V, C_{OUT} = 10\mu F, \text{No Load}$	--	1.3	--	ms
		$S3\# = 5VCC = 5V, C_{OUT} = 10\mu F, \text{No Load}$	--	1.3	--	ms
S3# Input						
Input High	V_{IH}		1.4	--	--	V
Input Low	V_{IL}		--	--	0.4	V
S3# Low to High Delay Time	T_{LH}		--	10	--	ms
S3# High to Low Delay Time	T_{HL}		--	30	--	us
EN Input						
Input High	V_{IH}		1.4	--	--	V
Input Low	V_{IL}		--	--	0.4	V
EN Low to High Delay Time	T_{LH}		--	150	--	us
Over Temperature Protection						
Thermal Shutdown Threshold Level		By Design	--	135	--	$^{\circ}C$
Thermal Shutdown Hysteresis		By Design	--	30	--	$^{\circ}C$

Note 1. Stresses beyond those listed as the above *Absolute Maximum Ratings* may cause permanent damage to the device. These are for stress ratings only. Functional operation of the device at these or any other conditions beyond those indicated in the *Recommended Operation Condition* section of the specifications is not implied. Exposure to absolute maximum rating conditions for extended periods may remain possibility to affect device reliability.

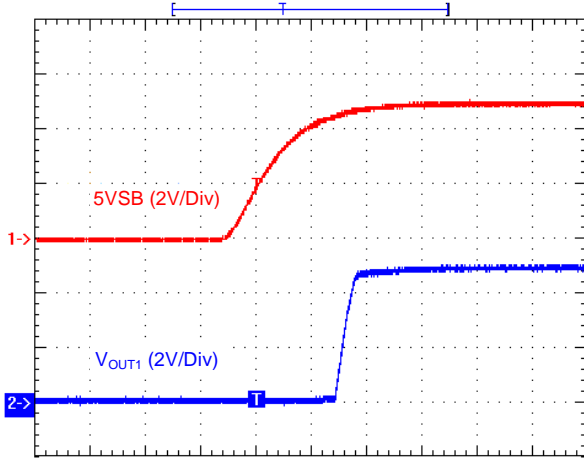
Note 2. Devices are ESD sensitive. Handling precaution recommended.

Note 3. θ_{JA} is measured in the natural convection at $T_A = 25^{\circ}C$ on a low effective thermal conductivity test board of JEDEC 51-3 thermal measurement standard.

Note 4. The device is not guaranteed to function outside its operating conditions.

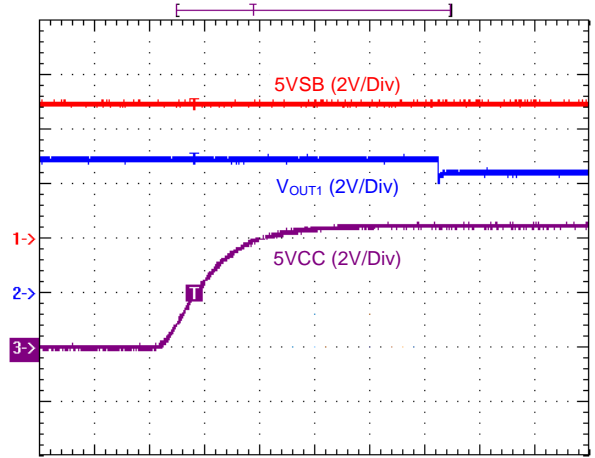
Typical Operation Characteristics

Power On by 5VSB



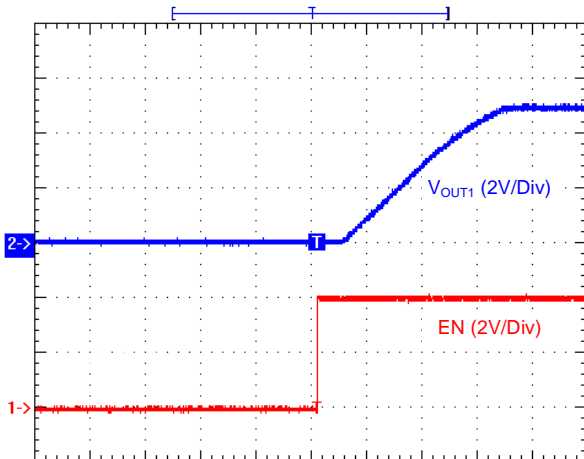
Time (4ms/Div)
 $C_{OUT1} = 10\mu\text{F}$, $S3\# = 0\text{V}$

Power On by 5VCC



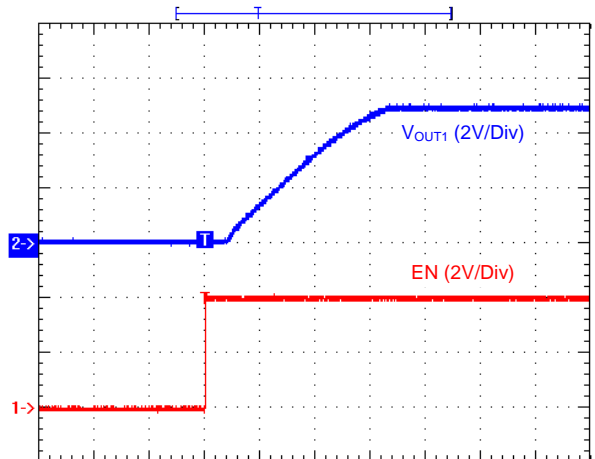
Time (4ms/Div)
 $C_{OUT} = 10\mu\text{F}$, $5\text{VSB} = S3\# = 5\text{V}$, $5\text{VCC} = 4.5\text{V}$

Turn On with S3# = Low



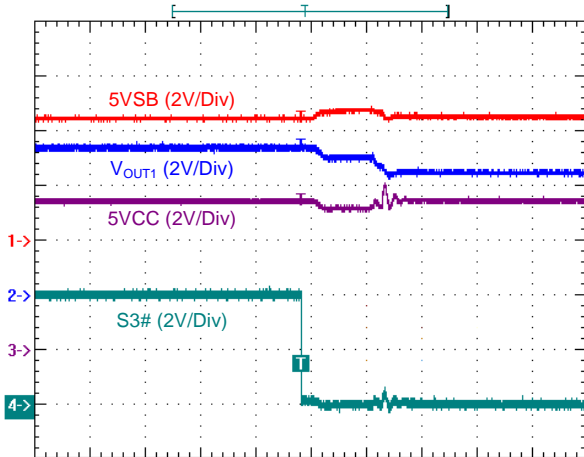
Time (400us/Div)
 $5\text{VSB} = 5\text{V}$, $C_{OUT1} = 10\mu\text{F}$, $I_{OUT1} = 100\text{mA}$

Turn On with S3# = High



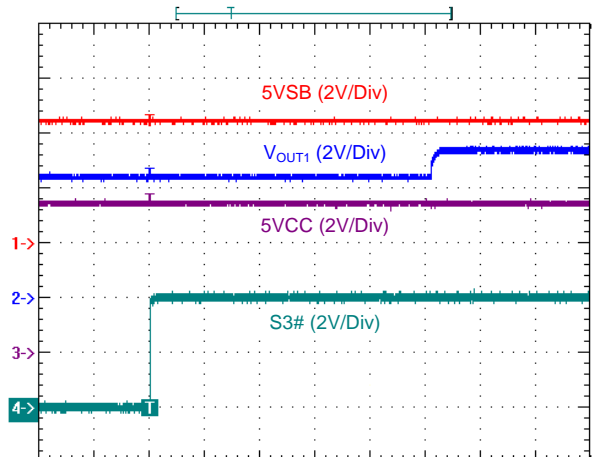
Time (400us/Div)
 $5\text{VSB} = 5\text{VCC} = 5\text{V}$, $C_{OUT1} = 10\mu\text{F}$, $I_{OUT1} = 100\text{mA}$

S3# from High to Low



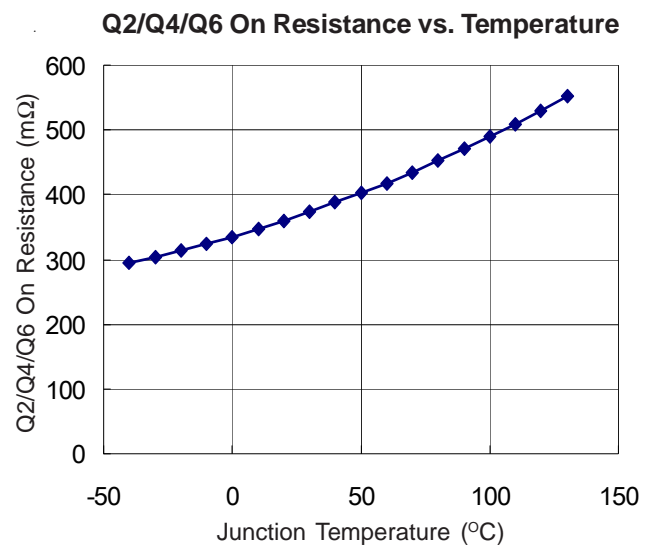
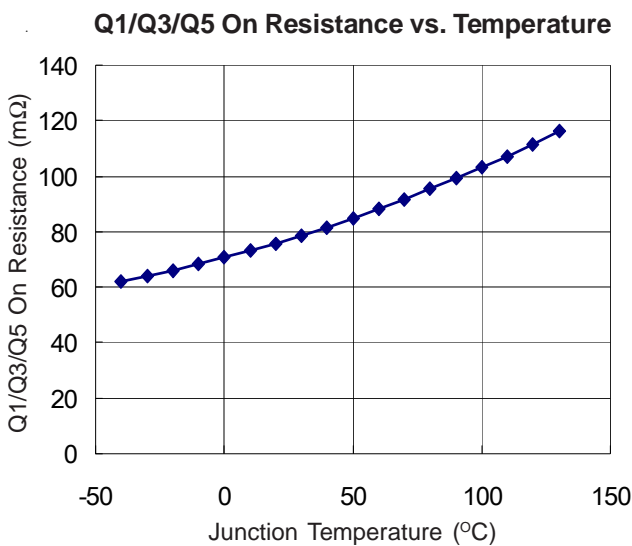
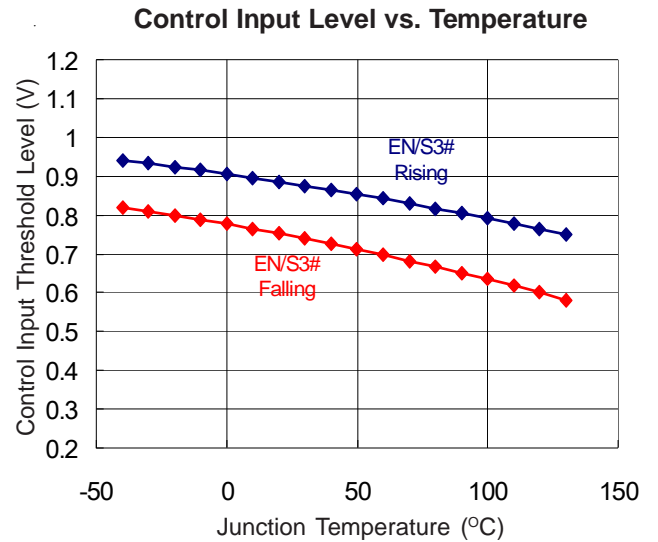
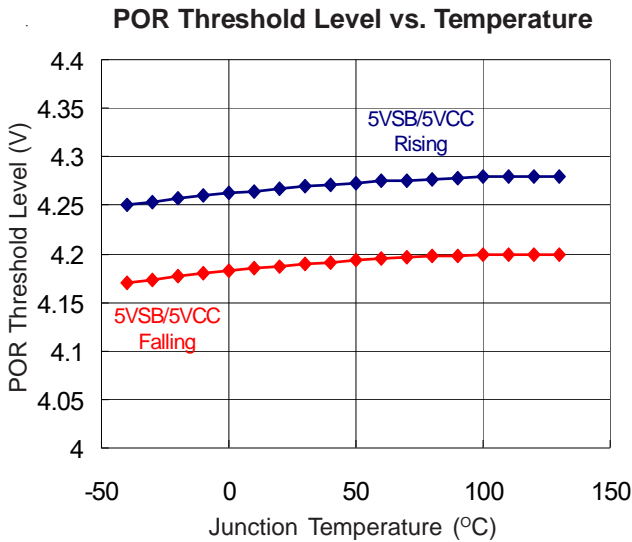
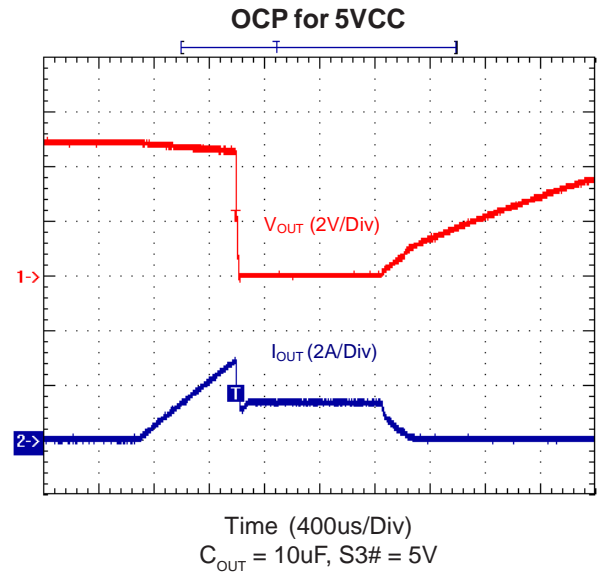
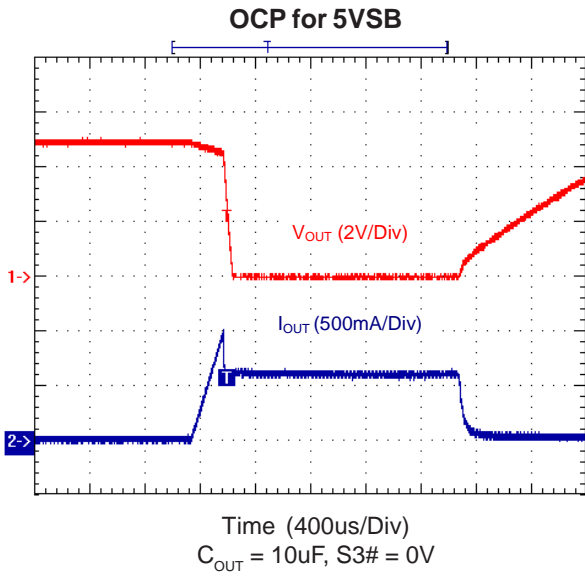
Time (100us/Div)
 $5\text{VSB} = 4.5\text{V}$, $5\text{VCC} = 5.5\text{V}$, $C_{OUT1} = 10\mu\text{F}$

S3# from Low to High



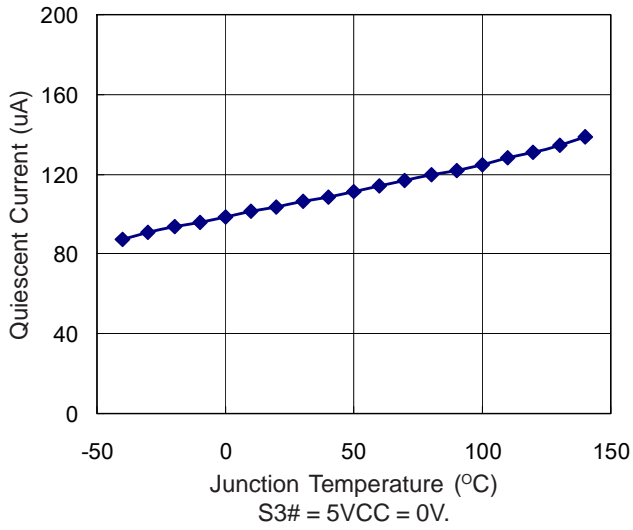
Time (2ms/Div)
 $5\text{VSB} = 4.5\text{V}$, $5\text{VCC} = 5.5\text{V}$, $C_{OUT1} = 10\mu\text{F}$

Typical Operation Characteristics



Typical Operation Characteristics

Quiescent Current vs. Temperature



Application Information

The uP7537 is a current limited, dual-input triple-output power multiplexer acting as a high side switch for USB applications where heavy capacitive loads and short-circuits are likely to be encountered. It switches output voltages to 5VSB at S3/S4/S5 states with typical 400mΩ switches and 200mA capacity; to 5VCC at S0/S1/S2 states with typical 80mΩ switches and 1.2A capacity. The outputs can be paralleled to provide totally 3.0A output current at S0/S1/S2 states.

Optimal switch logic according to S3# and 5VCC status ensures seamless output voltage transition.

When the output load exceeds the current-limit threshold or a short is present, the uP7537 asserts over current protection and limits the output current to a safe level by driving the power switches into saturation mode.

Other features include soft-start to limit inrush current during plug-in, thermal shutdown to prevent catastrophic switch failure from high-current loads, under-voltage lockout (UVLO) to ensure that the device remains off unless there is a valid input voltage present. The uP7537 is available in PSOP-8L package.

Input and output capacitors

Bypass the supply input pins with a single 4.7uF capacitor as close as possible to the uP7537. A 4.7uF output capacitor at the output pin is recommended even much larger output capacitors are already available at the output of the uP7537, especially if the output capacitors are more than 2 inches away on the PCB. The inrush current to charge the output capacitors is calculated as:

$$I_{IN} = C_{OUT} \times \frac{V_{OUT}}{T_{SS}} \text{ (A)}$$

Special care should be paid to large output capacitor applications. Take $C_{OUT} = 1000\mu\text{F}$ as example, the inrush current is $I_{IN} = 1000\mu\text{F} \times 5\text{V} / 1.3\text{ms} = 3.8\text{A}$. This is higher than the current limit threshold of Q1/Q3/Q5 and Q2/Q4/Q6. In this case, the output voltage ramp up time is controlled by the current limit function of Q1/Q3/Q5 and Q2/Q4/Q6 as shown in Figure 1. Note that output voltage ramping up slew rates are different due to different output capacitors.

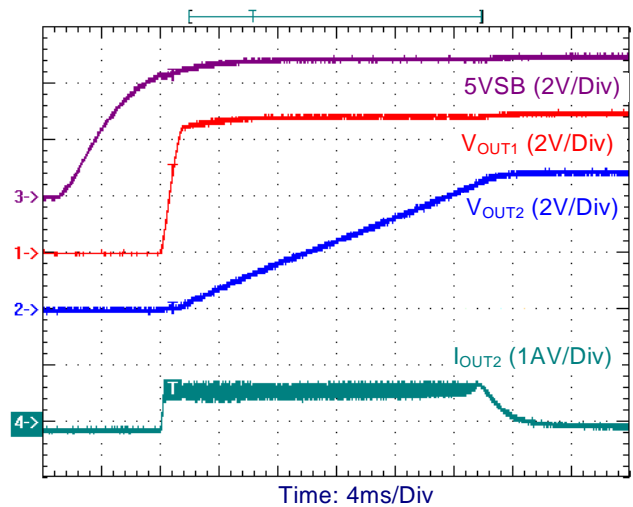


Figure 1. Turn on into 5VSB $C_{OUT2} = 1500\mu\text{F}$, $C_{OUT1} = 10\mu\text{F}$.

The output voltage undergoes an abrupt drop when a device with large input capacitors is hot plugged into the output of uP7537 as shown in Figure 2, where a device with 1500uF is hot plugged into uP7537 output with 470uF output capacitor. The output voltage ramp up time is controlled by the current limit level.

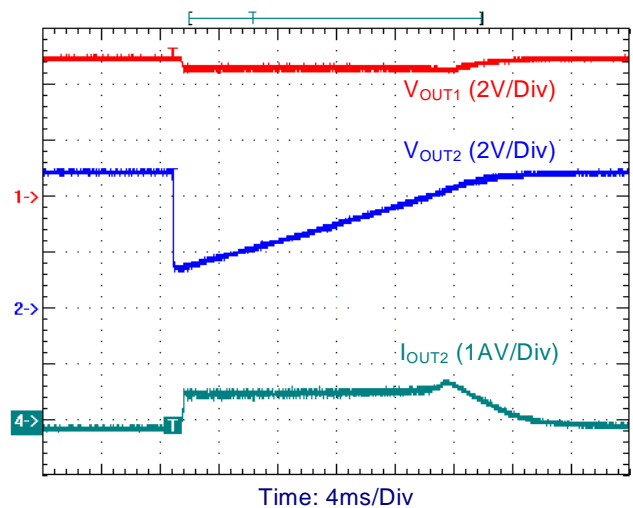


Figure 2. Hot plug application with S3# = 0V.

Application Information

Thermal Consideration

Temperature effect should be well considered when dealing with voltage drop and power dissipation. The maximum $R_{DS(ON)}$ of the power switch is 80mΩ of Q1/Q3/Q5 under 25°C junction temperature. If the device is expected to operate at 125°C junction temperature, the $R_{DS(ON)}$ of Q1/Q3/Q5 will become

$$80m\Omega * (1 + (125^{\circ}C - 25^{\circ}C) * 0.5\%/^{\circ}C) = 120m\Omega$$

where 0.5%/°C is the approximated temperature coefficient of the $R_{DS(ON)}$.

If the maximum load current is expected to be 1.2A, the maximum voltage will become

$$1.2A * 120m\Omega = 144mV$$

This in turn will cause power dissipation as

$$1.2A * 144mV = 173mW$$

The temperature raise is calculated as

$$173mW * 50^{\circ}C/W = 8.7^{\circ}C$$

The junction temperature is calculated as $T_A + 8.7^{\circ}C$, where T_A is the expected maximum ambient temperature. A few iterations are required until get final solutions.

The thermal resistance θ_{JA} highly depends on the PCB design. Copper plane under the exposed pad is an effective heatsink and is useful for improving thermal conductivity. Figure 3 show the relationship between thermal resistance θ_{JA} vs. copper area on a standard JEDEC 51-7 (4 layers, 2S2P) thermal test board at $T_A = 25^{\circ}C$. A 50mm² copper plane reduces θ_{JA} from 75°C/W to 50°C/W and increases maximum power dissipation from 1.33W to 2W.

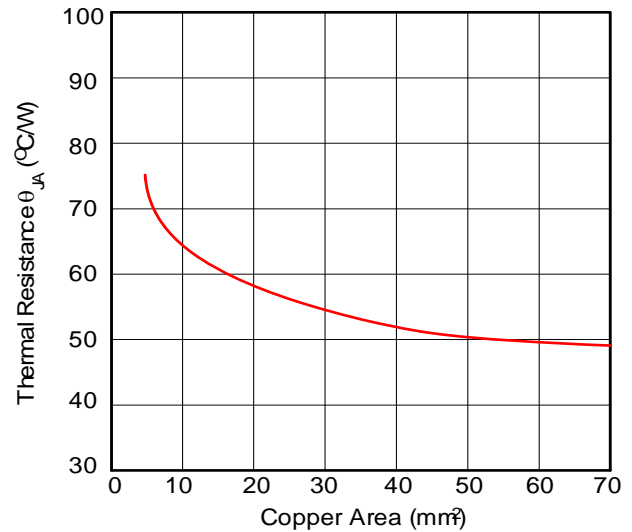
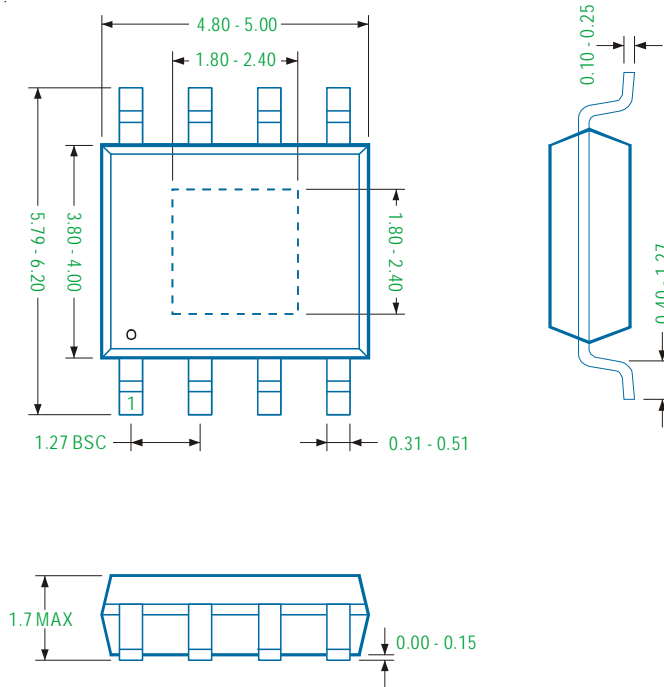


Figure 3. Thermal Resistance θ_{JA} vs. Copper Area

PCB Layout Consideration

- ❑ Place the uP7537 as close to the USB connector as possible to minimize the parasitic elements.
- ❑ Place local bypass capacitors as closed as possible to the 5VSB and 5VCC pins. Use short and wide traces to minimize parasitic resistance and inductance.
- ❑ The exposed pad should be soldered on GND plane with maximum area and with multiple vias to inner layer of ground place for improved thermal performance.
- ❑ Keep the power trace short and wide to minimize the parasitic resistance along the trace.

PSOP - 8L



Note

1. Package Outline Unit Description:

BSC: Basic. Represents theoretical exact dimension or dimension target

MIN: Minimum dimension specified.

MAX: Maximum dimension specified.

REF: Reference. Represents dimension for reference use only. This value is not a device specification.

TYP: Typical. Provided as a general value. This value is not a device specification.

2. Dimensions in Millimeters.

3. Drawing not to scale.

4. These dimensions do not include mold flash or protrusions. Mold flash or protrusions shall not exceed 0.15mm.

Important Notice

uPI and its subsidiaries reserve the right to make corrections, modifications, enhancements, improvements, and other changes to its products and services at any time and to discontinue any product or service without notice. Customers should obtain the latest relevant information before placing orders and should verify that such information is current and complete.

uPI products are sold subject to the terms and conditions of sale supplied at the time of order acknowledgment. However, no responsibility is assumed by uPI or its subsidiaries for its use; nor for any infringements of patents or other rights of third parties which may result from its use. No license is granted by implication or otherwise under any patent or patent rights of uPI or its subsidiaries.

COPYRIGHT (c) 2009, UPI SEMICONDUCTOR CORP.

uPI Semiconductor Corp.

Headquarter

9F.,No.5, Taiyuan 1st St. Zhubei City,
Hsinchu Taiwan, R.O.C.

TEL : 886.3.560.1666 FAX : 886.3.560.1888

Sales Branch Office

12F-5, No. 408, Ruiguang Rd. Neihu District,
Taipei Taiwan, R.O.C.

TEL : 886.2.8751.2062 FAX : 886.2.8751.5064