

Liquid Crystal Displays

UC-294

features:

TN colour

2.9 inch size

Integrated fluorescent backlight tube

Cased or Uncased versions

Runs from standard composite video signal

480 x 130 resolution

CITIZEN WATCH Co.,LTD	PRODUCT SPECIFICATION	MODEL NO.	UC-294-1PA
-----------------------	-----------------------	-----------	------------

LIST OF CHANGES

CHANGE REF.	CONTENTS OF CHANGES	DATE	PERSON

ISSUED	Date	10.Aug.1995	DISPLAY SYSTEM DIVISION	Control NO.	
REVISED	Date			REMARKS	

PRODUCT SPECIFICATION	MODEL NO.	Page
	UC-294-1PA	1

1. Scope of application

This specification applies to 2.9 inches Color LCD Video unit UC-294-1PA.

2. Composition

This LCD Video unit comprises the following parts.

- ① Completed panel block (including 2nd reflector)
- ② Diffuser

3. Ratings

- 3- 1 Signal mode : In accordance with system PAL-B,G
- 3- 2 Screen size : 58.6mm(H)*43.8mm(V)
- 3- 3 Recommended cut-off size : 56.3mm(H)*41.8mm(V)
- 3- 4 Display device : Twisted Nematic color LCD—
 - Prior viewing angle : In a direction of 12 o'clock
 - Picture element form : Rectangle
 - Driving method : 1/65 duty multiplex drive
- 3- 5 Number of pixels : 62400 dots = 480(H) * 130(V)
- 3- 6 Input signal : Composite video signal
1.0 V_{p-p} (In case of 75 ohm load applied)
- 3- 7 Lighting system : Built-in high luminance fluorescent tube
- 3- 8 Supply voltage : DC 7.5V ± 10%
- 3- 9 Operating temperature : + 5 to +40 °C
- 3-10 Storage temperature : -20 to +60 °C
- 3-11 Overall size : Refer to overall drawing
- 3-12 Weight : Approx. 78 g (without diffuser)

ISSUED	Date	10.Aug.1995	DISPLAY SYSTEM DIVISION	Control NO.	
REVISED	Date			REMARKS	

4. Performance

4-1 Measurement conditions : Supply voltage : 7.5 V ± 2.5%
 Signal level : 1.0 Vp-p (load applied)
 Temperature : 25°C ± 2°C
 Humidity : 65%RH ± 5%RH

4-2 Current consumption : 420 mA or less (Brightness max)

4-3 Picture display field : Horizontal 13.2 ~ 60.6 μSec
 : Vertical 37 ~ 298 H (1 Field)

4-4 Gradation : In the case of 8 gray levels being inputted,
 more than 6 Gradations must be displayed.
 2(White):4(Gray):2(Black)
 Pattern generator : 408NPS (Made by LEADER Co.)
 ◇PATTERN:FULL COLOR BAR ◇CHROMA:OFF
 ◇ WHITE:75% ◇ SETUP:7.5%

4-5 Contrast ratio (Completed state)

$$CR (MAX) = \frac{\text{Brightness of white level}}{\text{Brightness of black level}} = 6 \text{ (Typ.) } (\theta=0, \phi=0)$$

4-6 Viewing angle range (Completed state) (See Fig. 1)
 Vertical Viewing angle range θ_1 : +10~-20 deg. (Typ. , $\phi=0$, CR>2)
 Horizontal Viewing angle range θ_2 : -40~+40 deg. (Typ. , $\phi=90$, CR>2)

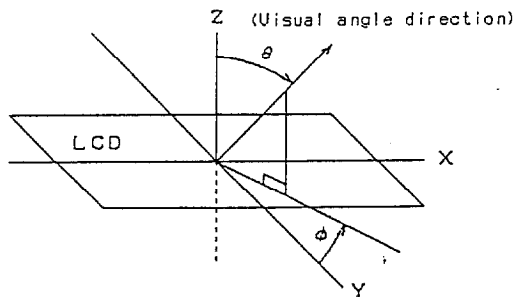


Fig. 1

ISSUED	Date	10.Aug.1995	DISPLAY SYSTEM DIVISION	Control NO.	
REVISED	Date			REMARKS	

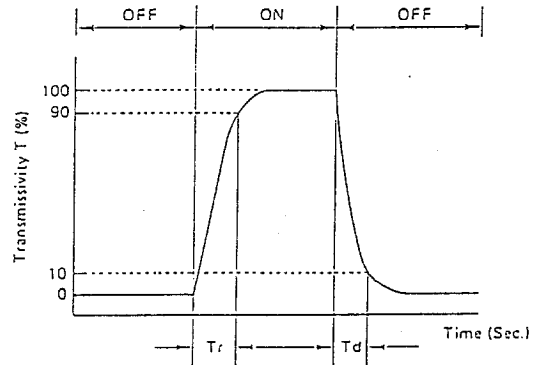
PRODUCT SPECIFICATION	MODEL NO.	Page
	UC-294-1PA	3

4-7 Response time

Tr:120msec or more ($\theta=0, \phi=0$)

Td:120msec or more ($\theta=0, \phi=0$)

- Tr=A time in transmissivity changes to 90% when applied voltage has been changed from Voff to Von.
- Tr=A time in transmissivity changes to 10% when applied voltage has been changed from Von to Voff.



4-8 Lighting unit

Measurement conditions : • Luminance meter nt-1° P (Made by Minolta Camera Co.)
 • in 5 minutes after lighting
 • Temperature : $25 \pm 2^\circ\text{C}$
 • Humidity : $65 \pm 5\%RH$

Average Brightness : 4000 nit or more
 • Average at 5 points on specified diffuser plate surface. (See Fig. 2)

Uneven Brightness : -30 % to +30%
 • 5 points on specified diffuser plate surface.

Life time of fluorescent tube : 4000 hours in continuous lighting (Typ.)

The life time means a case where one of two items described below comes under.

- ①when the center brightness of straight tube has reached 70% of the initial value.
- ②when an effective luminous length has become 80% of already-set value(51mm).

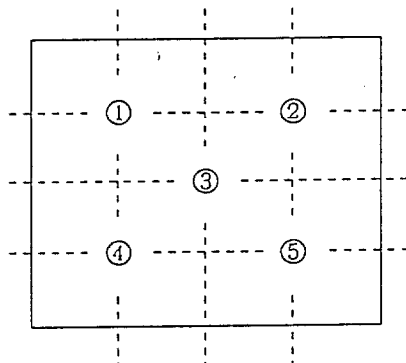
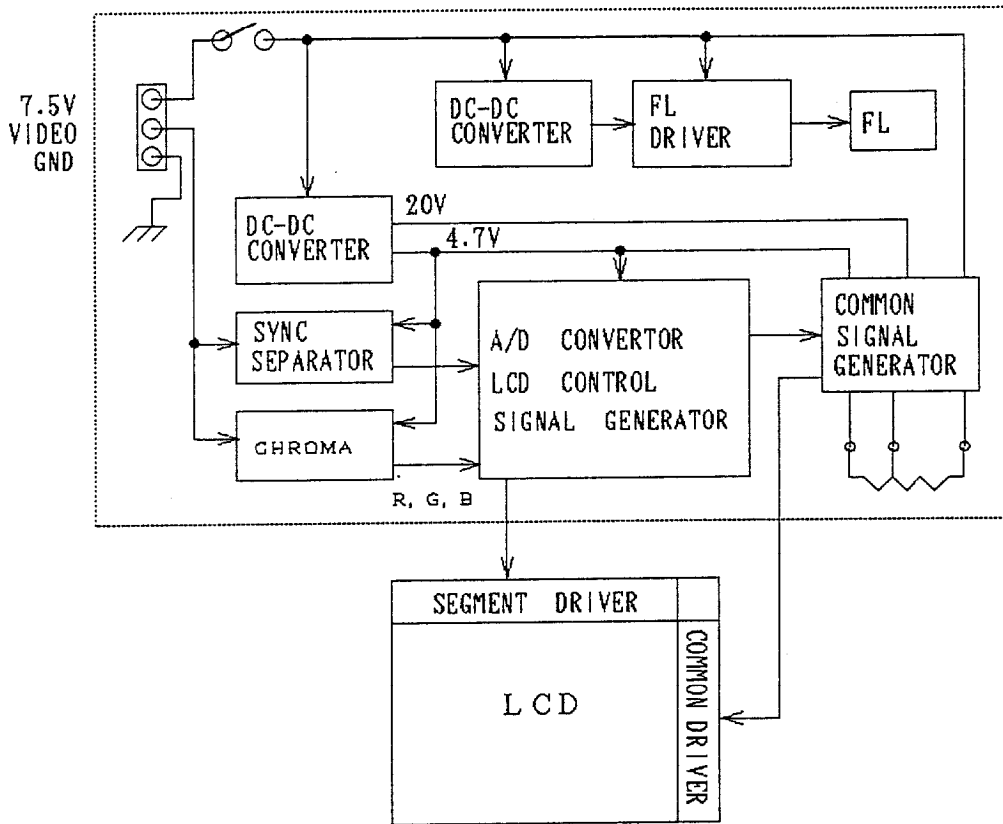


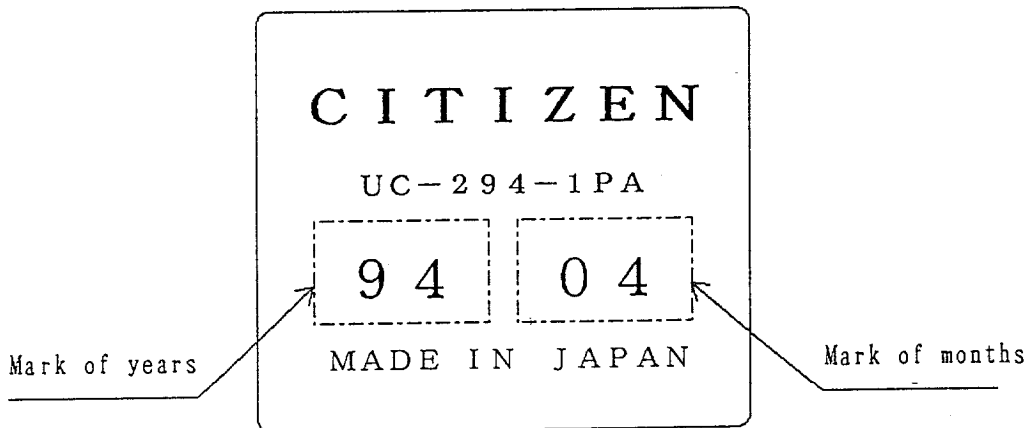
Fig. 2

ISSUED	Date	10. Aug. 1995	DISPLAY SYSTEM DIVISION	Control NO.	
REVISED	Date			REMARKS	

5. Block Diagram



6. Lot marking



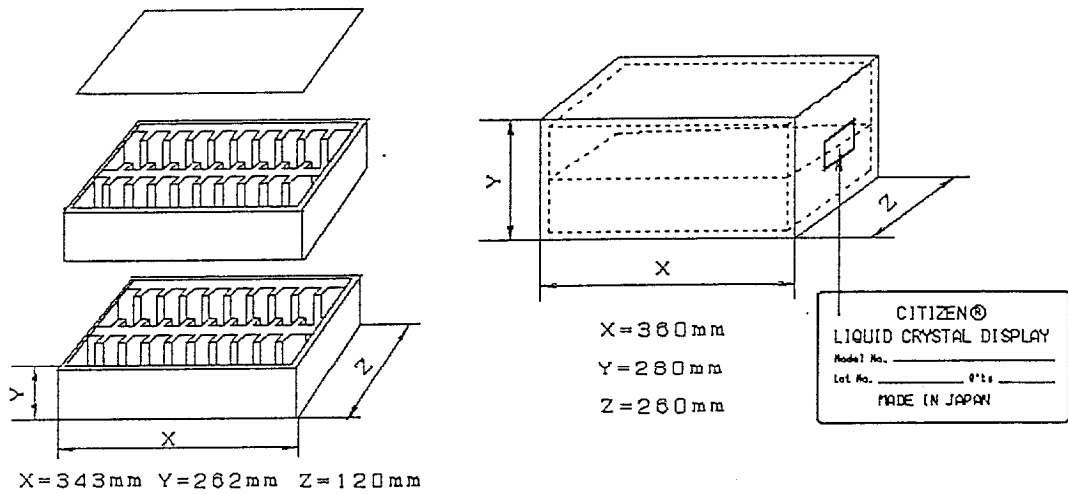
When there is a requirement for special identification on the product, the marking method will be determined by discussion between CITIZEN WATCH Co. Ltd. and the customer.

ISSUED	Date	10. Aug. 1995	DISPLAY SYSTEM DIVISION	Control NO.	
REVISED	Date			REMARKS	

7. Packaging specification

7-1 Completed panel block Packaging specification

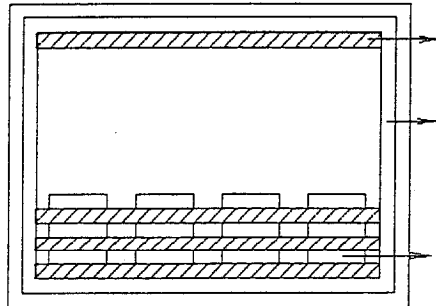
One units is put in antistatic polyethylene bag and 20 units are inserted into one shipping case made of styrene foam as shown in the left illustration below.
For normal delivery, 40 units in all are packaged in a carton.



ISSUED	Date	10.Aug.1995	DISPLAY SYSTEM DIVISION	Control NO.	
REVISED	Date			REMARKS	

7-2 Diffuser Packaging specification

Cross section

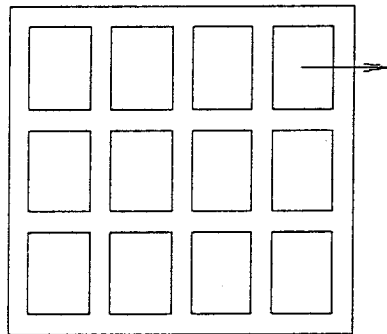


Fender Pile

Inside Dimension of Double Corrugated Cardboard
311(V) x 311(H) x 169(H) mm

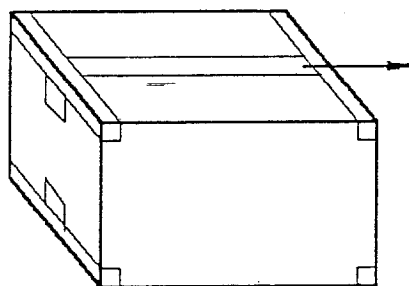
Diffuser
12 pcs. x 50 step = 600 pcs.

Top View



Diffuser

Assembly Drawing



Tape

ISSUED	Date	10. Aug. 1995	DISPLAY SYSTEM DIVISION	Control NO.	
REVISED	Date			REMARKS	

PRODUCT SPECIFICATION	MODEL NO.	Page
	UC-294-1PA	7

8. Cautions

8-1 Cautions for use

- (1) A polarizer is kept mounting on the surface of LCD panel and before shipping, the polarizer at the surface side is covered with a protective sheet. Before using, take off the protective sheet. A failure to remove the sheet may result in the displayed picture taking an unnecessary color or stripes coming into view.
- (2) Before applying the supply voltage or video signal, make sure the power supply connected to the video unit and the wiring of video signal are right. If the voltage is applied without taking note of the fact that the connection is improper, the unit may break down.
- (3) A semi-fixed resistor on PCB has already been adjusted to enable the most favorable picture to be obtained. Don't touch the semi-fixed resistor anyway. For readjustment, a special measuring instrument is necessary.
- (4) Don't use this LCD video unit in a wet condition with dew; otherwise the unit may break down.

8-2 Cautions in handling

- (1) Handle the polarizer with the greatest possible care since it is prone to damage. Do not place a hard, pointed article such as metallic tweezers to the polarizer and do not push or rub the polarizer with any foreign object.
- (2) Be careful not to touch the polarizer with the bare hand. If the polarizer is found dirty, clean it with an absorbent cotton swab or a soft cloth by wiping gently with five percent weak diluted solution of a neutral detergent. Do not use such chemicals as acetone, ethanol, toluen, isopropyl alcohol and so on for cleaning ; otherwise, a reaction phenomenon occurs and deterioration may result.
- (3) Also, if saliva or water droplets are left on the surface of the polarizer for a long time, it may become deformed or discolored. So, remove them right away.
- (4) If the LCD panel has been broken and the liquid crystal substance has leaked out, avoid inhaling or touching it. If the liquid crystal substance has contacted the skin or clothes, wash it away quickly.

8-3 Cautions in mounting

- (1) For the packaging substrate, IC, etc. which are sensitive to static electricity are in use. So, handle them with the greatest possible care.
- (2) Mount the completed panel block and diffuser being careful not to bend or twist unduly. Otherwise, LCD panel could get cracked or the circuit might break down.

ISSUED	Date	10. Aug. 1995	DISPLAY SYSTEM DIVISION	Control NO.	
REVISED	Date			REMARKS	

PRODUCT SPECIFICATION	MODEL NO.	Page
	UC-294-1PA	8

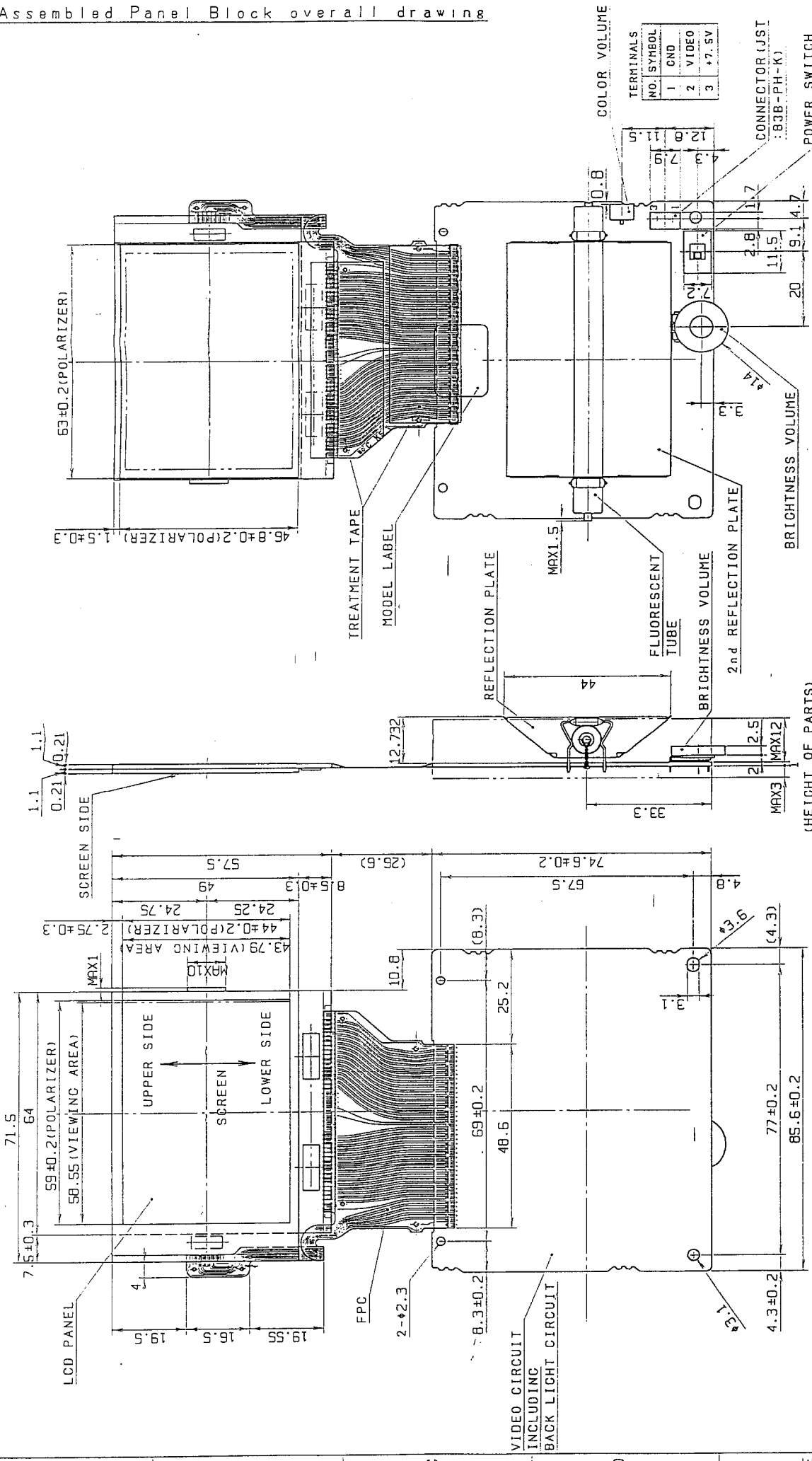
- (3) For protecting LCD panel, especially the polarizer surface, attach a transparent protective board (for example, an acrylic board or glass board) to the product case.
- (4) Mount the completed panel block on place immediately after taking it out of a antistatic polyethylene bag.

8-4 Cautions in storage

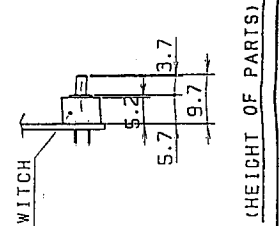
- (1) Avoid keeping the unit in a humid place with high temperature.
- (2) Do not expose the unit to direct sunlight.
- (3) Take the proper steps to prevent any unnecessary pressure on the unit.
- (4) Keep the completed panel block in a specified packaged form unless otherwise being built in place soon.

ISSUED	Date	10. Aug. 1995	DISPLAY SYSTEM DIVISION	Control NO.	
REVISED	Date			REMARKS	

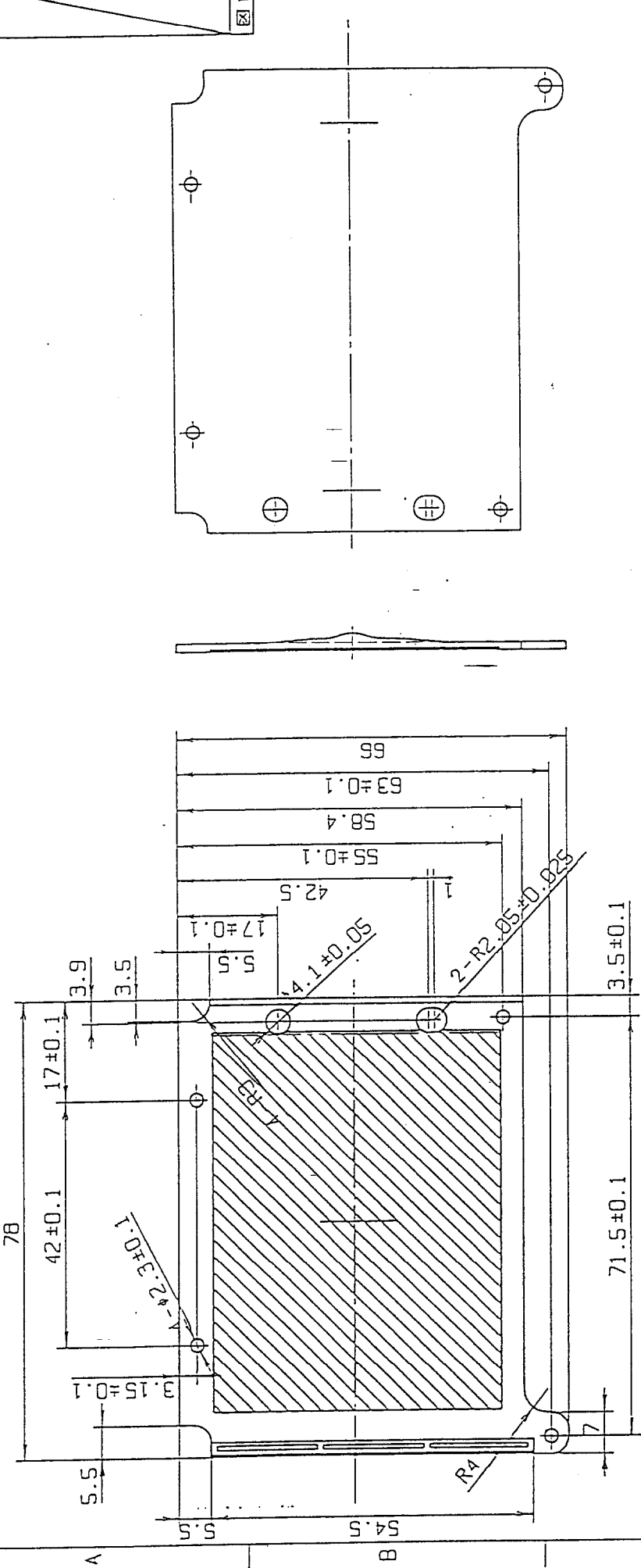
Assembled Panel Block overall drawing



Quantity	Unit	1/1 mm	Model:	UC-294-1PA
Scale	1/1	Parts No.:	Glass Dimensions	
Drawn	Date	Name	95. B. 10 Y. MATSUHARA	
Checked	Description	Appr.	LCD VIDEO UNIT	
Approved	Alterations		Drawing No.:	
Material	Heat Treatment	Hardness	CITIZEN CITIZEN WATCH CO., LTD. TOKYO, JAPAN	
Plating	General Tolerances	Dimensions		
	Angles			



- (REMARKS)
01. VIDEO UNIT CONSISTS OF BOTH ASSEMBLED PANEL BLOCK AND DIFFUSION PLATE.
 02. HEIGHT DIMENSION OF PARTS INCLUDE GAP 0.2mm BETWEEN PART AND PCB BY MOUNTING.



Diffuser Dimensions

SYSTEM=MIG	2741=V1D1	2742=2747	2743=4	2744=NO4	2745=NO4	2746=NO4	2747=NO4	2748=NO4	2749=NO4	2750=NO4	2751=NO4	2752=NO4	2753=NO4	2754=NO4	2755=NO4	2756=NO4	2757=NO4	2758=NO4	2759=NO4	2760=NO4	
DATE	89.5.17	DESIGN	山探	CHECK	本非	PROCESS	高田	MATERIAL	PMMA	UNIT	mm	SCALE	1/1	SCALE	1/1	SCALE	1/1	SCALE	1/1	SCALE	1/1
DESIGNER	山探	CHECKER	本非	PROCESSOR	高田	UNIT	mm	SCALE	1/1	SCALE	1/1	SCALE	1/1	SCALE	1/1	SCALE	1/1	SCALE	1/1	SCALE	1/1
MATERIAL		PMMA	UNIT	mm	SCALE	1/1	SCALE	1/1	SCALE	1/1	SCALE	1/1	SCALE	1/1	SCALE	1/1	SCALE	1/1	SCALE	1/1	SCALE
NAME		擴散板	MODEL NO	UC-294	PRICE		DESIGNER		CHECKER		SCALE	1/1	SCALE	1/1	SCALE	1/1	SCALE	1/1	SCALE	1/1	
PART NO		A13-0710	DEPARTMENT	表示機器事業部	PRICE		DESIGNER		CHECKER		SCALE	1/1	SCALE	1/1	SCALE	1/1	SCALE	1/1	SCALE	1/1	
PART NO		A13-0710	DEPARTMENT	表示機器事業部	PRICE		DESIGNER		CHECKER		SCALE	1/1	SCALE	1/1	SCALE	1/1	SCALE	1/1	SCALE	1/1	

三洋電機株式会社