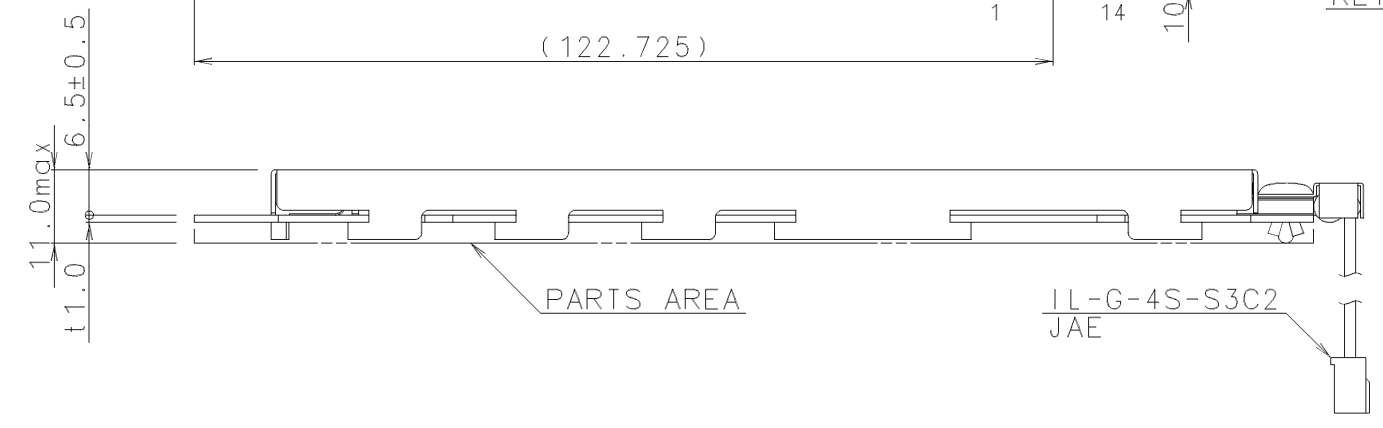
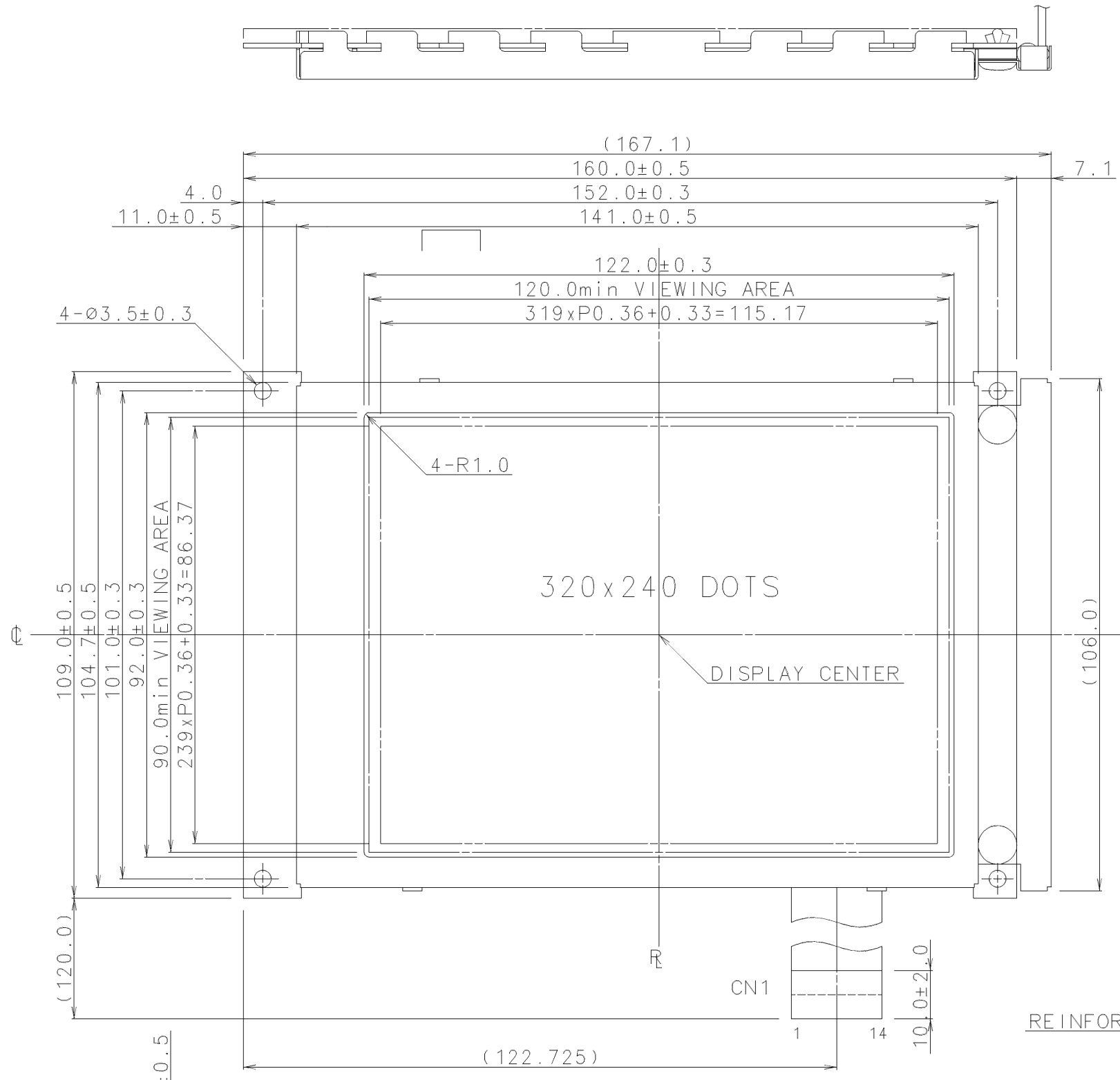
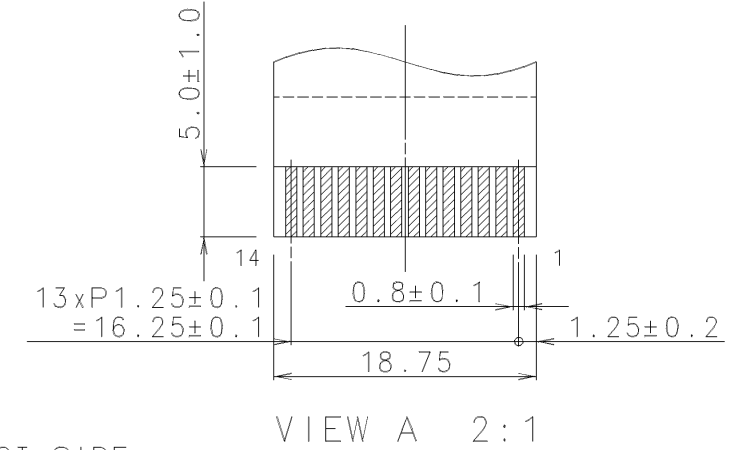
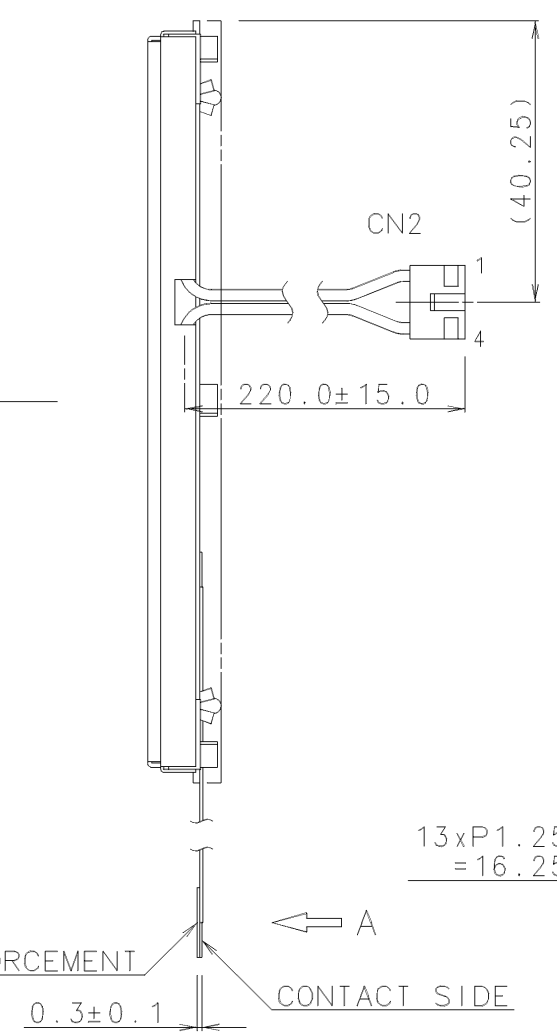
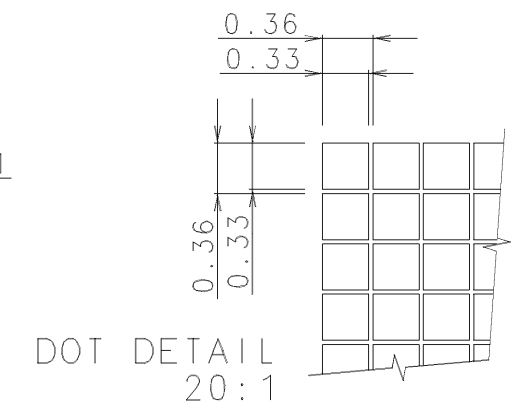




ISSUE	REVISIONS	DRAWN	APPROVED	DATE
△	Change the title for series of drawing.	M.Aoyama	A.Kamon	APR.20'00

PIN ASSIGNMENT

CN1	
PIN No.	SYMBOL
1	D0
2	D1
3	D2
4	D3
5	DISPOFF
6	FLM
7	N.C.
8	LP
9	CP
10	VCC
11	VSS
12	VEE
13	VADJ
14	FG
CN2	
PIN No.	SYMBOL
1	CFL HOT
2	N.C.
3	N.C.
4	CFL GND



TOLERANCE			3'rd ANGLE PROJECTION	DATE Dec. 19'97	APPROVED S.Kuwabara	OPTREX CORPORATION
MEASURE	A	B				
L ≤ 16	±0.1	±0.3	±1.0	UNIT	mm	CODE DMF-50840NFL-SFW Series
16 < L ≤ 63	±0.2	±0.5	±1.5	SCALE	1:1	
63 < L ≤ 250	±0.3	±0.8	±2.0	CHECKED	S.Kobayashi	DRAWING No. UE-300149A
250 < L ≤ 500	±0.5	±1.2	±3.0	DRAWN	Y.Takada	
500 < L	±0.8	±2.0	±4.0	ANGLE	± 1° ± 5° ± 10°	