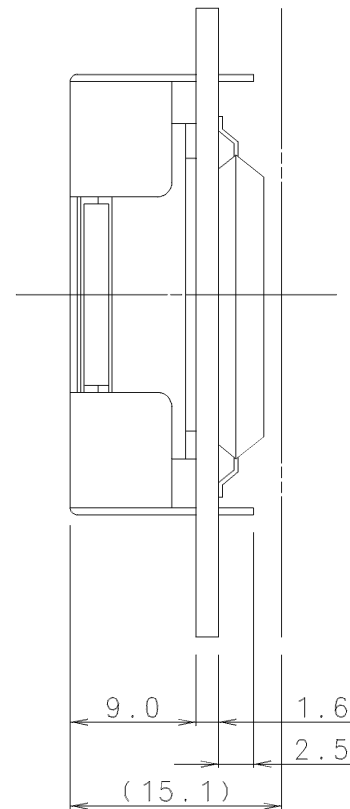
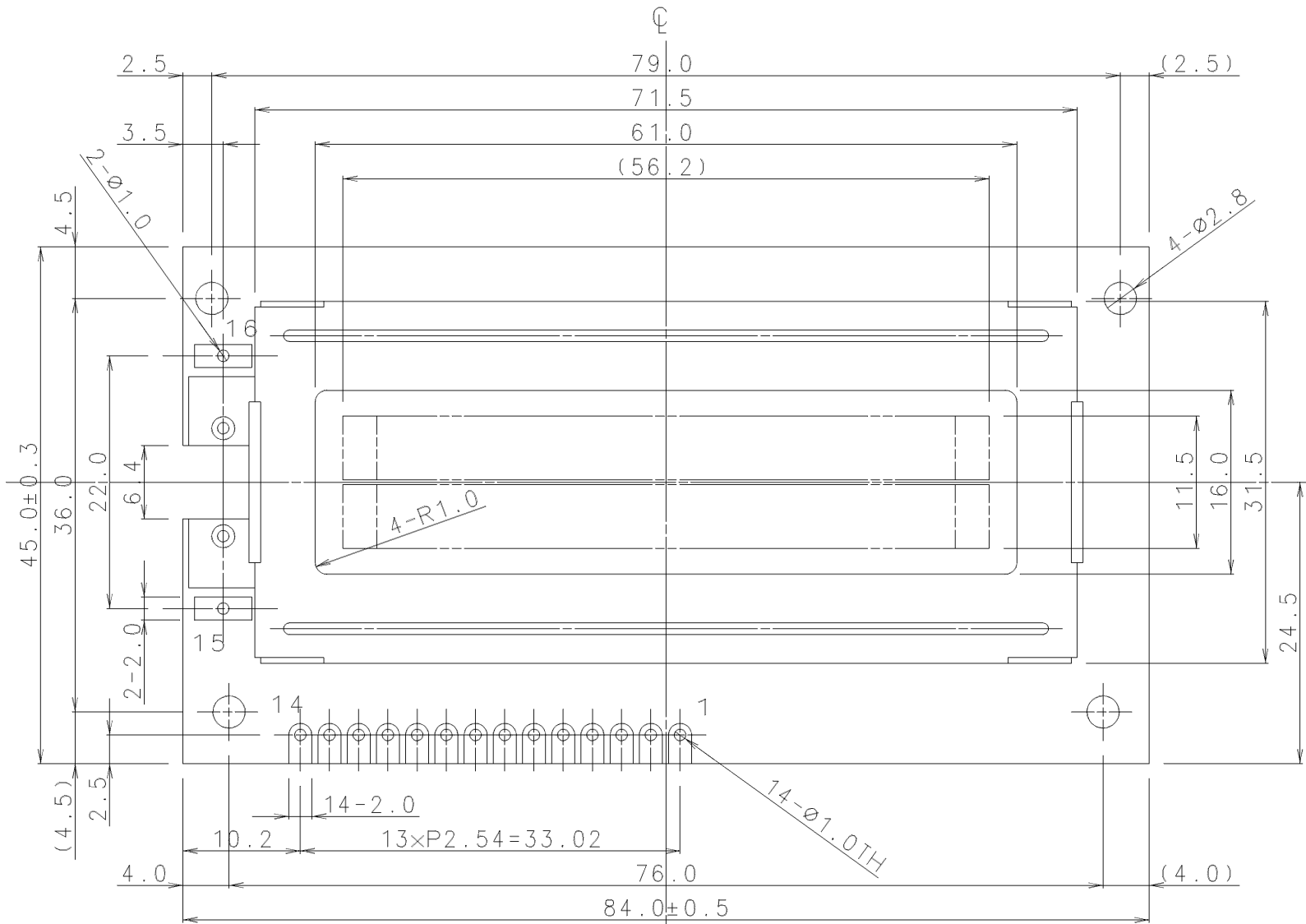


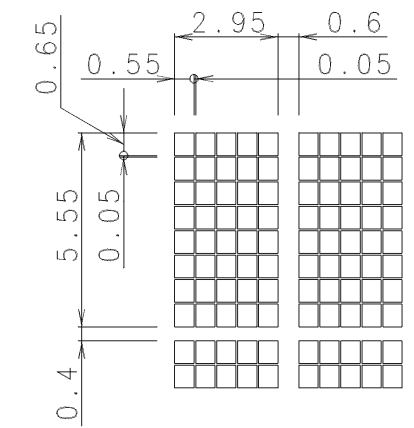
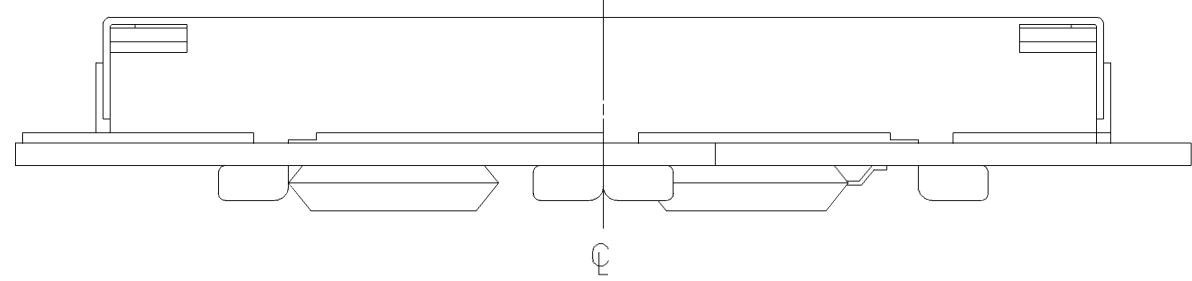


ISSUE	REVISIONS	DRAWN	APPROVED	DATE
1	CHANGE	S.Matsuoka	M.lida	MAR.04'86
2	CHANGE OF MODEL	K.T.	M.lida	DEC.25'92
3	CORRECTION	K.T.	M.lida	FEV.03'93

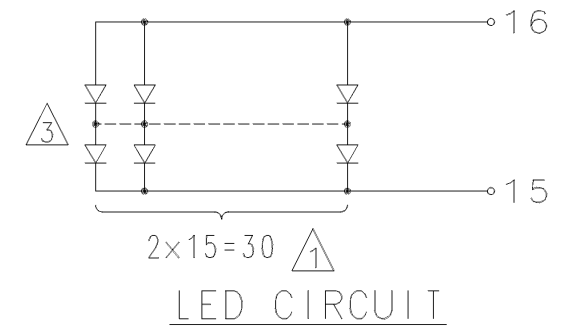


PIN ASSIGNMENT

PIN No.	SYMBOL
1	V _{SS}
2	V _{CC}
3	V _{EE}
4	RS
5	R/W
6	E
7	DB0
8	DB1
9	DB2
10	DB3
11	DB4
12	DB5
13	DB6
14	DB7
15	LED CATHODE
16	LED ANODE



DOT DETAIL: SCALE 5/1



MEASURE	TOLERANCE			THIRD ANGLE PROJECTION	DATE	OPTREX CORPORATION
	A	B	C		JAN.11'86	
L≤16	±0.1	±0.3	±1	UNIT	APPROVED	TITLE
16<L≤63	±0.2	±0.5	±1.5	mm	M.lida	DIMENSIONAL OUTLINE
63<L≤250	±0.3	±0.8	±2	SCALE	CHECKED	CODE
250<L≤500	±0.5	±1.2	±3	2:1	T.Ohyama	DMC 16266LED Series
500<L	±0.8	±2	±4		DRAWN	DWG NO
ANGLE	±1°	±5°	±10°		S.Matsuoka	UE-30819C