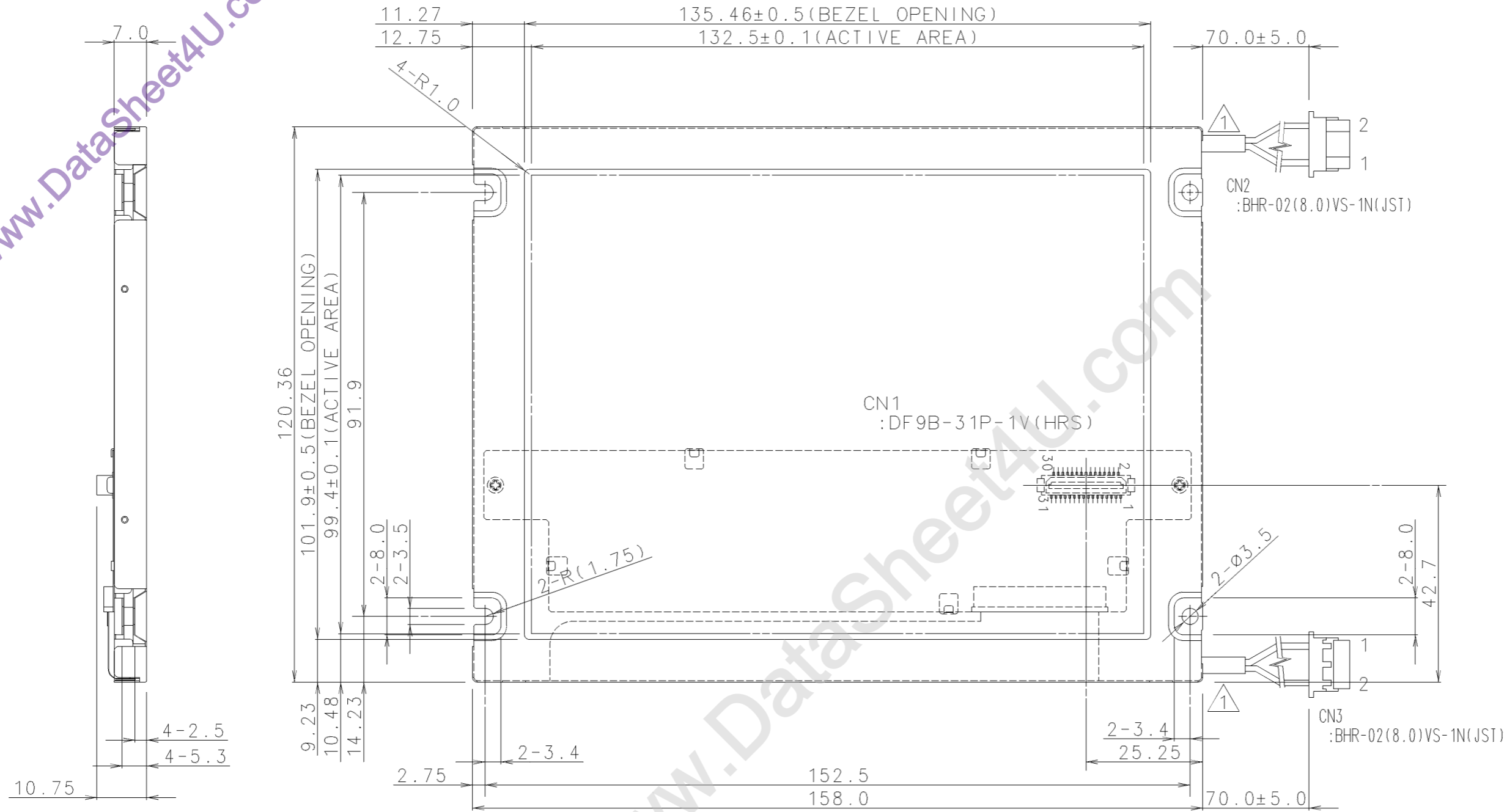


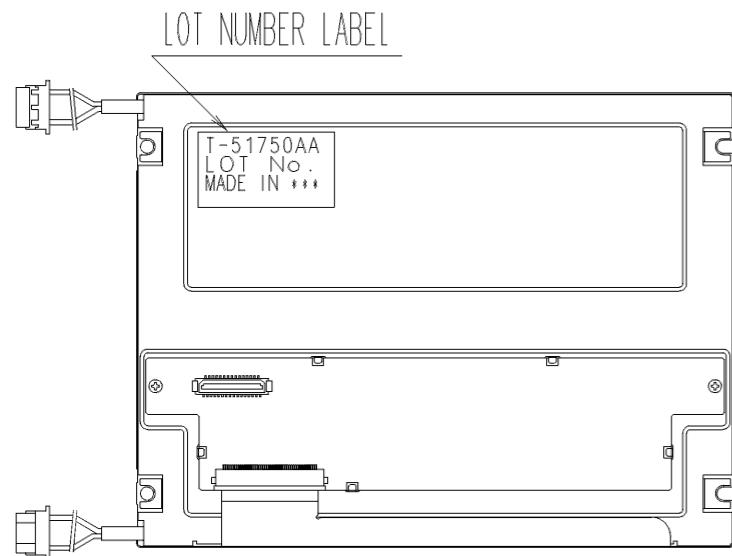
www.DataSheet4U.com

ISSUE	REVISIONS	DRAWN	APPROVED	DATE
1	ADDED PROTECT TUBE.	M.NAKADA	K.GONDO	OCT.31'03



PIN ASSIGNMENT

CN1	
No.	Symbol
1	GND
2	DCLK
3	HD
4	VD
5	GND
6	R0
7	R1
8	R2
9	R3
10	R4
11	R5
12	GND
13	G0
14	G1
15	G2
16	G3
17	G4
18	G5
19	GND
20	B0
21	B1
22	B2
23	B3
24	B4
25	B5
26	GND
27	DENA
28	VCC
29	VCC
30	TEST
31	REV
CN2,3	
No.	Symbol
1	H.V
2	L.V



REAR VIEW  
(S=2:1)

MEASURE	TOLERANCE			THIRD ANGLE PROJECTION	DATE
	A	B	C		
L≤16	±0.1	±0.3	±1	UNIT mm	10/06/03
16<L≤63	±0.2	±0.5	±1.5		APPROVED K.GONDO
63<L≤250	±0.3	±0.8	±2	SCALE 1:1	CHECKED Y.TAKADA
250<L≤500	±0.5	±1.2	±3		DRAWN M.NAKADA
500<L	±0.8	±2	±4		
ANGLE	±1°	±5°	±10°		

OPTREX CORPORATION	
TITLE DIMENSIONAL OUTLINE	
CODE T-51750AA SERIES	
DWG NO UE-311848A	