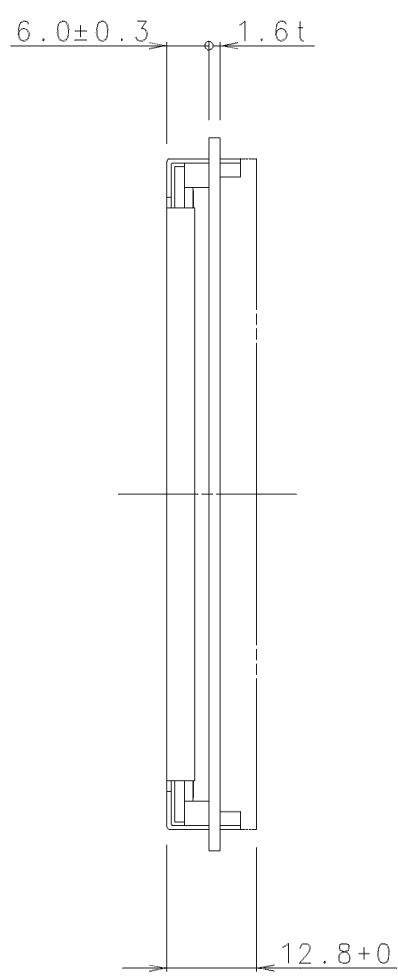
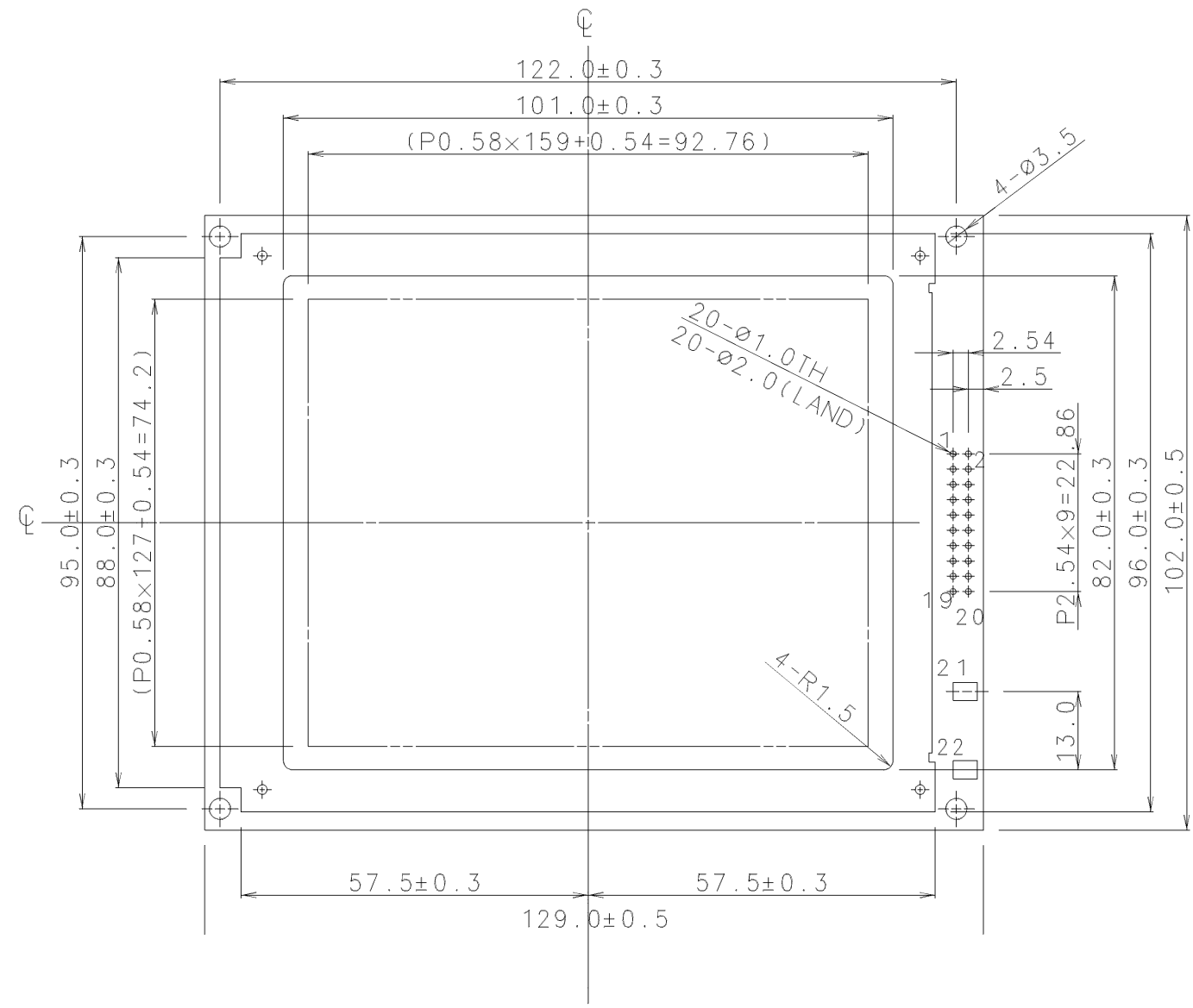


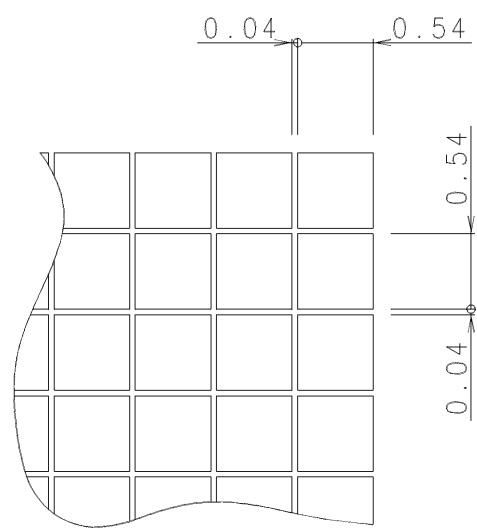


ISSUE	REVISIONS	DRAWN	APPROVED	DATE
△	Change of model name and symbol name.	D.Natsume	R.Yajima	AUG.01'95



PIN ASSIGNMENT

PIN No.	SYMBOL
1	FG
2	V _{SS}
3	V _{DD}
4	V _{CONT}
5	V _{EE}
6	\overline{WR}
7	\overline{RD}
8	\overline{CE}
9	C/ \overline{D}
10	\overline{HALT}
11	\overline{RESET}
12	D0
13	D1
14	D2
15	D3
16	D4
17	D5
18	D6
19	D7
20	NC.
21	EL 1)
22	EL 1)



DOT DETAIL: SCALE 20/1

NOTE 1). FOR EL TYPE ONLY

MEASURE	TOLERANCE			THIRD ANGLE PROJECTION	DATE	OPTREX CORPORATION
	A	B	C		MAR. 16'87	
L ≤ 16	±0.1	±0.3	±1	UNIT	APPROVED	TITLE
16 < L ≤ 63	±0.2	±0.5	±1.5		T.Katsuta	DIMENSIONAL OUTLINE
63 < L ≤ 250	±0.3	±0.8	±2	SCALE	CHECKED	CODE
250 < L ≤ 500	±0.5	±1.2	±3		T.Ohyama	DMF 5001N Series △
500 < L	±0.8	±2	±4	DRAWN	DWG NO	UE-31324A
ANGLE	±1°	±5°	±10°		S.Matsuoka	