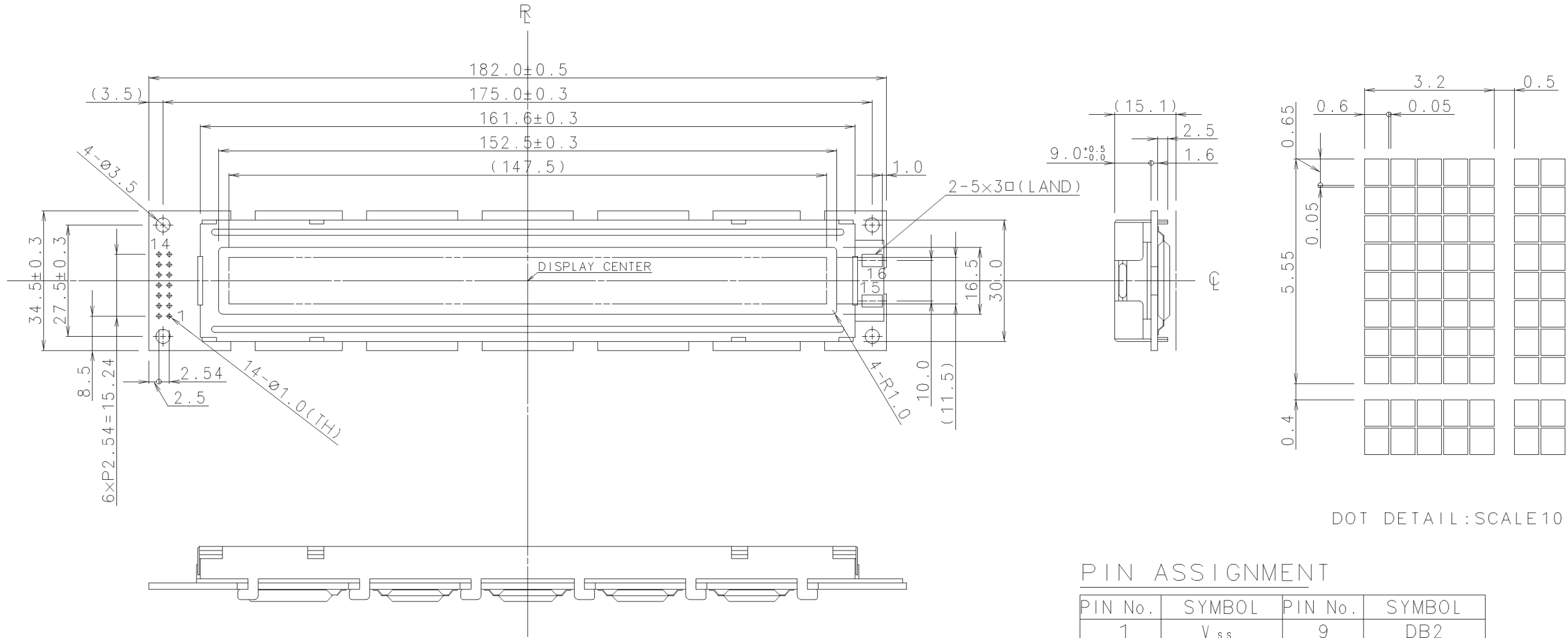




ISSUE	REVISIONS	DRAWN	APPROVED	DATE
△				

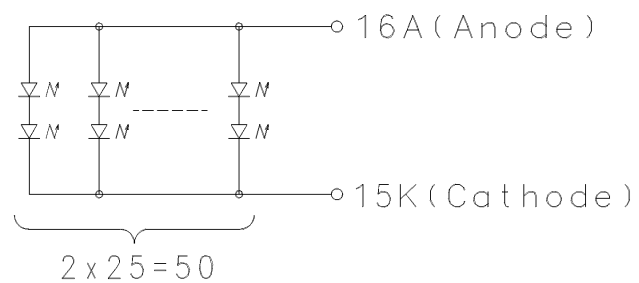


DOT DETAIL : SCALE 10 / 1

PIN ASSIGNMENT

PIN No.	SYMBOL	PIN No.	SYMBOL
1	V _{ss}	9	DB2
2	V _{cc}	10	DB3
3	V _{ee}	11	DB4
4	RS	12	DB5
5	R/W	13	DB6
6	E	14	DB7
7	DB0	15	LED CATHODE
8	DB1	16	LED ANODE

NOTE: TOLERANCES OF ALL DIMENSIONS ARE ±0.3mm OTHERWISE NOTIFIED.



LED CIRCUIT

TOLERANCE			THIRD ANGLE PROJECTION	DATE SEP. 17 '87	OPTREX CORPORATION
MEASURE	A	B			
L≤16	±0.1	±0.3	±1	UNIT mm	TITLE DIMENSIONAL OUTLINE
16<L≤63	±0.2	±0.5	±1.5	SCALE 1:1	CODE DMC 40202 LED Series
63<L≤250	±0.3	±0.8	±2		
250<L≤500	±0.5	±1.2	±3	DRAWN M.Oka	DWC NO UE-31615
500<L	±0.8	±2	±4		
ANGLE	±1°	±5°	±10°		