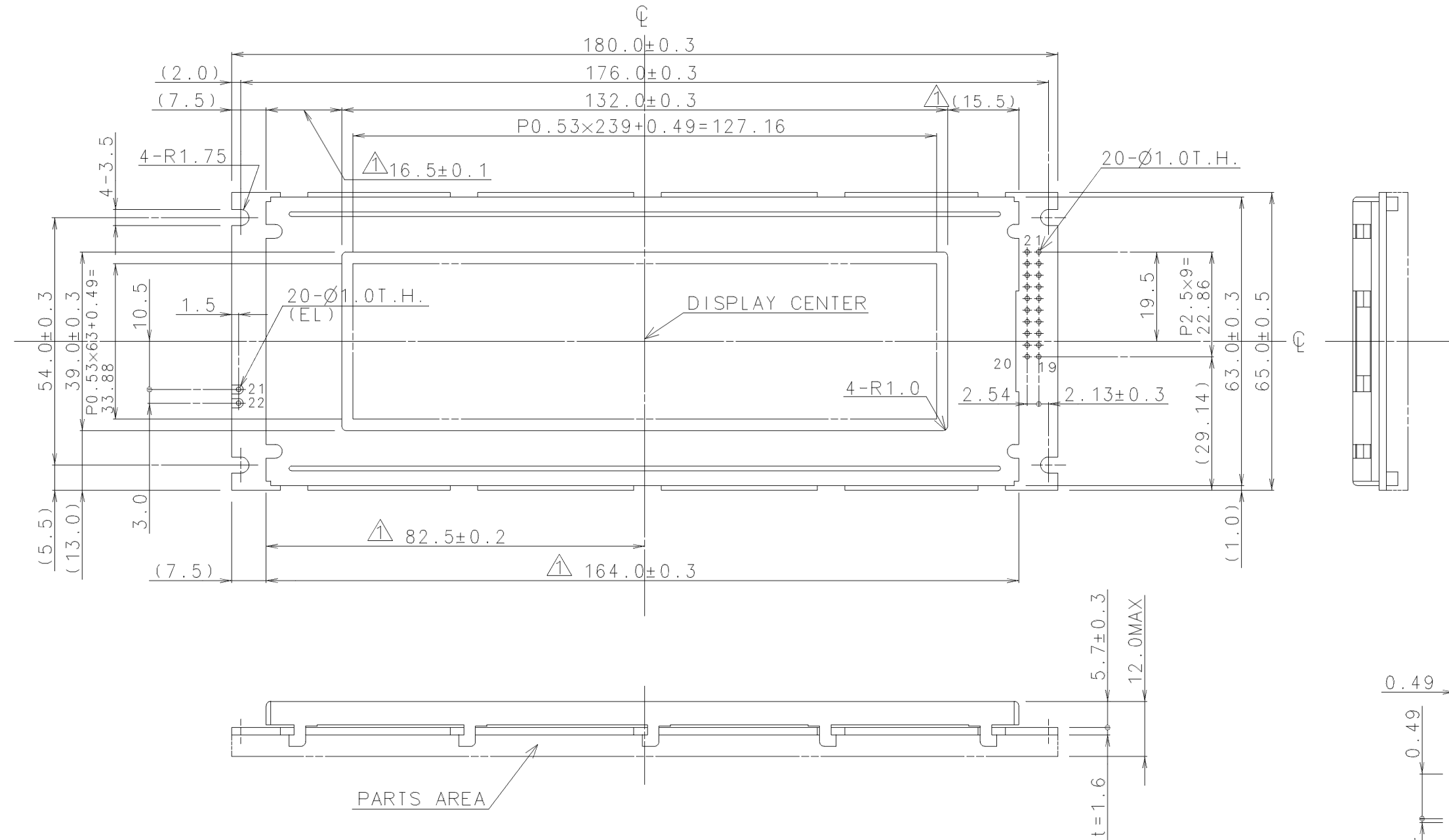




ISSUE	REVISIONS	DRAWN	APPROVED	DATE
1	ADDITION OF DIMENSION(X4)	S.Matsuoka	S.Kuwabara	APR, 15'88
2	CHANGE OF CODE NAME	Y.Yamaguchi	S.Kuwabara	JAN, 14'93

PIN ASSIGNMENT

PIN No.	SYMBOL
1	FG
2	V _{SS}
3	V _{CC}
4	V _{EE}
5	WR
6	RD
7	CE
8	C/D
9	NC
10	RESET
11	D0
12	D1
13	D2
14	D3
15	D4
16	D5
17	D6
18	D7
19	FS
20	NC
21	EL (1)
22	EL (1)



NOTE) 1.USE FOR EL TYPE ONLY.

TOLERANCE			THIRD ANGLE PROJECTION	DATE JAN. 14'93	OPTREX CORPORATION
MEASURE	A	B			
L≤16	±0.1	±0.3	±1	UNIT mm	APPROVED S.Kuwabara
16<L≤63	±0.2	±0.5	±1.5		
63<L≤250	±0.3	±0.8	±2	SCALE 1:1	CHECKED M.Kinoshita
250<L≤500	±0.5	±1.2	±3		
500<L	±0.8	±2	±4	DRAWN Y.Yamaguchi	DWC NO UE-31806B
ANGLE	±1°	±5°	±10°		

DOT DETAIL SCALE 20:1