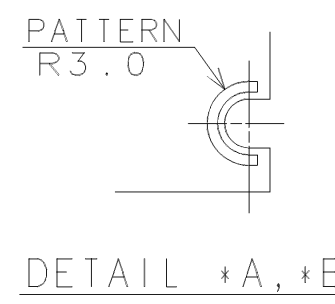
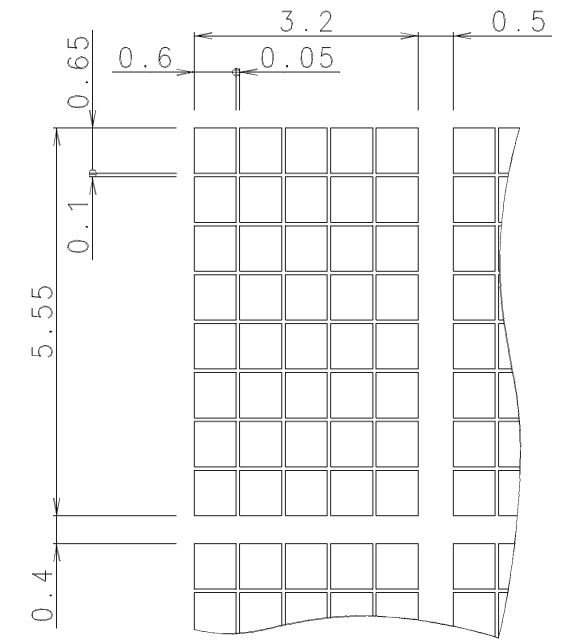
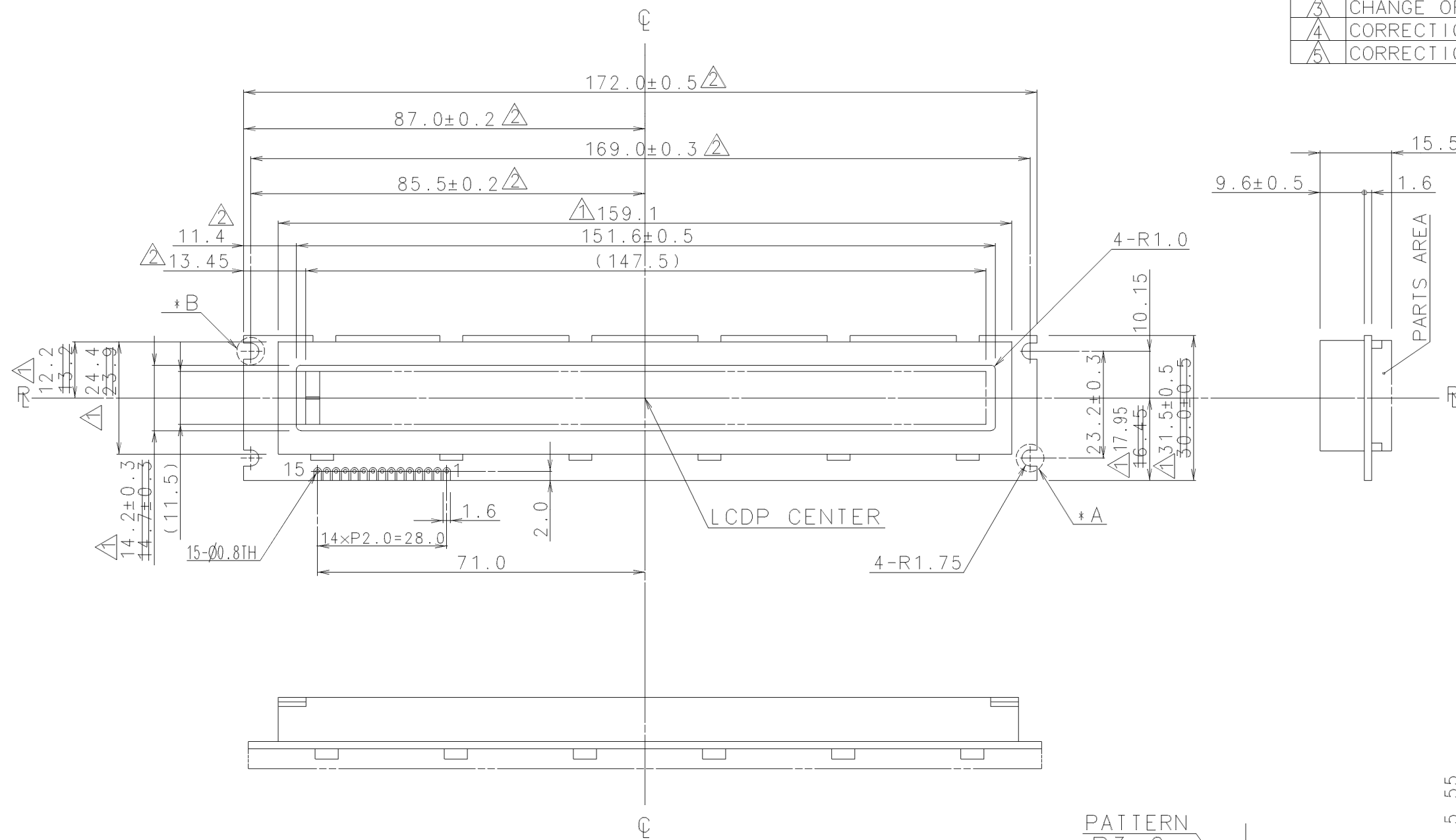




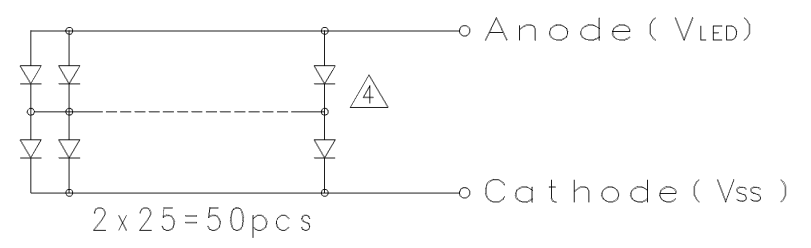
ISSUE	REVISIONS	DRAWN	APPROVED	DATE
1	SIZE OF CORRECTION	M.O	A.Kamon	JUN.13'88
2	SIZE OF CORRECTION	N.W	A.Kamon	OCT.28'89
3	CHANGE OF CODE NAME	S.F	A.Kamon	DES.01'92
4	CORRECTION	K.T	A.Kamon	MAY.31'93
5	CORRECTION	D.Natsume	A.Kamon	APR.26'94

PIN ASSIGNMENT

PIN No.	SYMBOL
1	V _{SS}
2	V_{DD} V _{CC}
3	V _{EE}
4	R/S
5	R/W
6	E
7	DB0
8	DB1
9	DB2
10	DB3
11	DB4
12	DB5
13	DB6
14	DB7
15	V _{LED}



NOTE: THE PATTERNS BOLT HOLE *A and *B are GND TERMINALS.



LED BACKLIGHT CIRCUIT

TOLERANCE			THIRD ANGLE PROJECTION	DATE SEP,06'89	OPTREX CORPORATION
MEASURE	A	B			
L≤16	±0.1	±0.3	±1	UNIT mm	APPROVED A.Kamon
16<L≤63	±0.2	±0.5	±1.5	SCALE 1:1	CHECKED S.Matsuoka
63<L≤250	±0.3	±0.8	±2		DRAWN K.Hayashi
250<L≤500	±0.5	±1.2	±3		
500<L	±0.8	±2	±4		
ANGLE	±1°	±5°	±10°		

TITLE	CODE	DWG NO
DIMENSIONAL OUTLINE	DMC40205 Series	UE-32100E