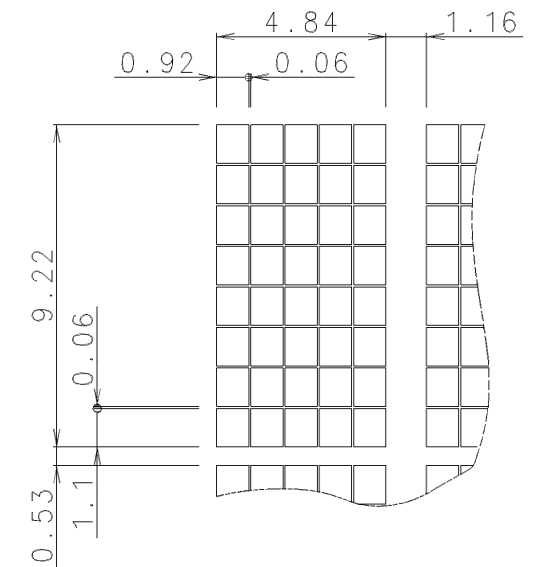
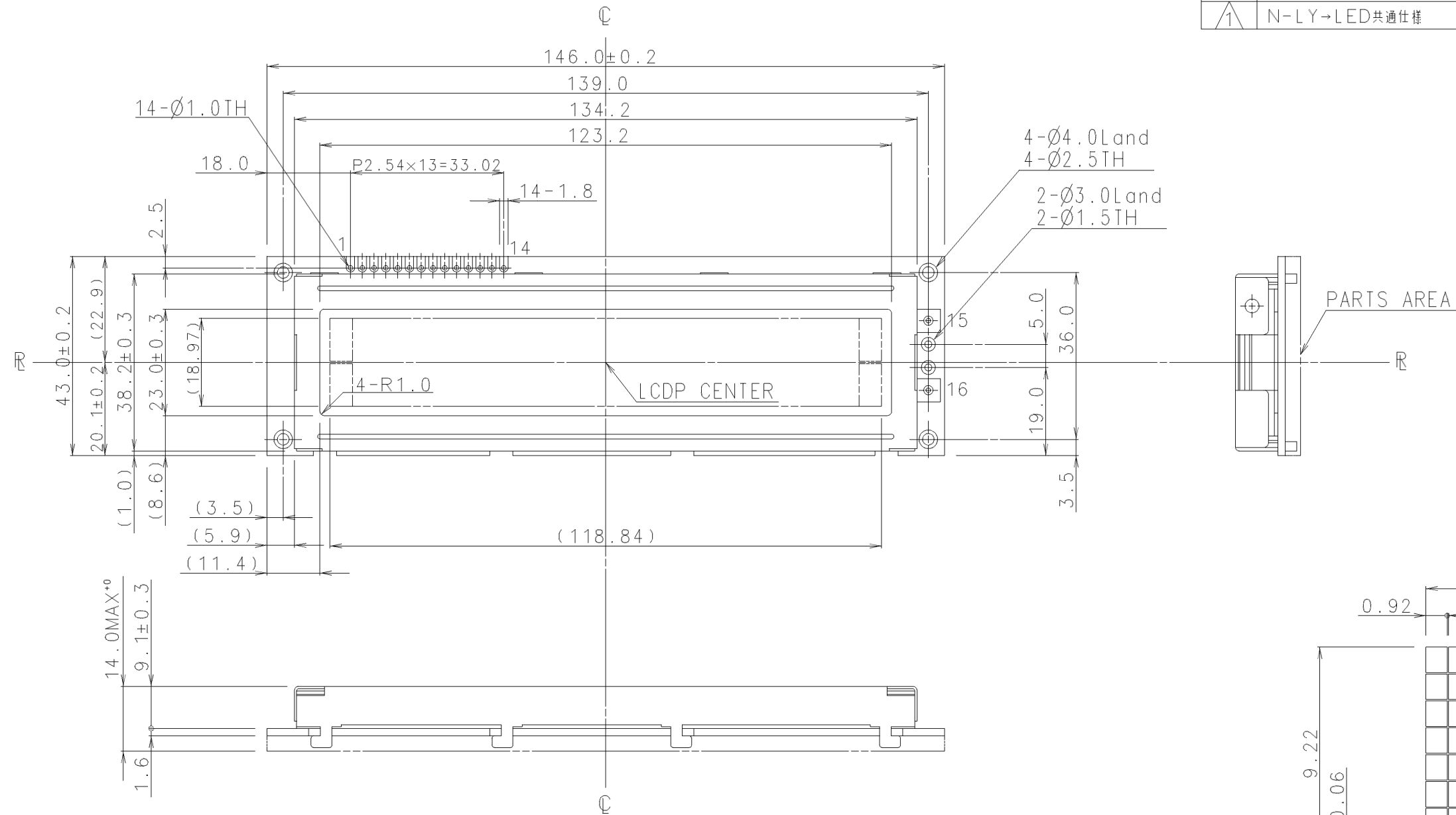


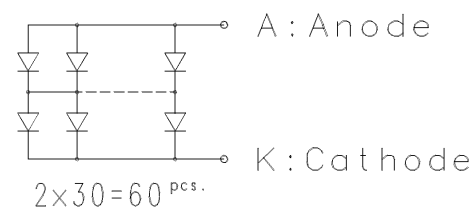


ISSUE	REVISIONS	DRAWN	APPROVED	DATE
1	N-LY→LED共通仕様	H.Miyonishi	H.Morosawa	SEP, 19'90



### PIN ASSIGNMENT

PIN No.	SYMBOL	PIN No.	SYMBOL
1	VSS	9	DB2
2	VCC	10	DB3
3	VEE	11	DB4
4	RS	12	DB5
5	R/W	13	DB6
6	E	14	DB7
7	DB0	15	LED, K
8	DB1	16	LED, A



### LED CIRCUIT

MEASURE	TOLERANCE			THIRD ANGLE PROJECTION	DATE SEP, 19'90	OPTREX CORPORATION
	A	B	C			
L≤16	±0.1	±0.3	±1	UNIT mm	APPROVED H.Morosawa	TITLE DIMENSIONAL OUTLINE
16<L≤63	±0.2	±0.5	±1.5			
63<L≤250	±0.3	±0.8	±2	SCALE 1:1	CHECKED T.Okamoto	CODE DMC20203 (LED BACK LIGHT)
250<L≤500	±0.5	±1.2	±3			
500<L	±0.8	±2	±4	DRAWN H.Itoh	DWC NO	UE-32969A
ANGLE	±1°	±5°	±10°			