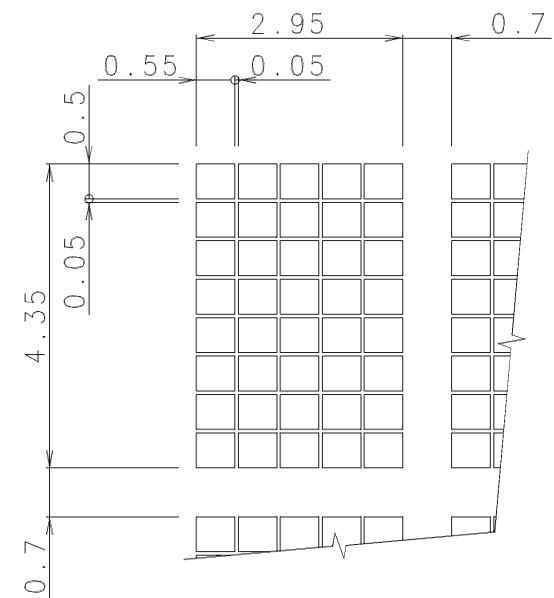
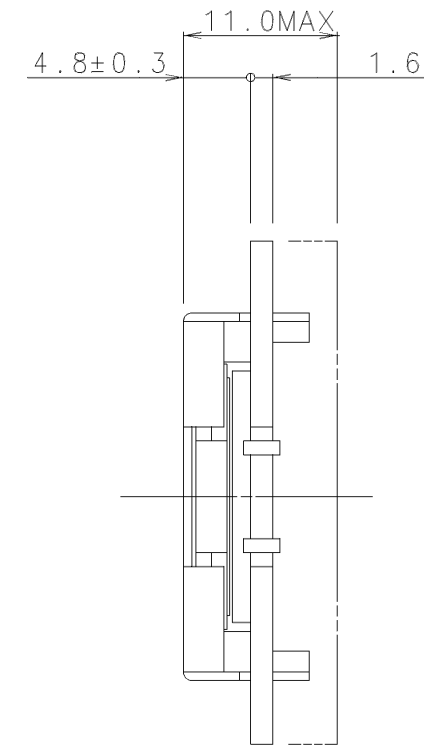
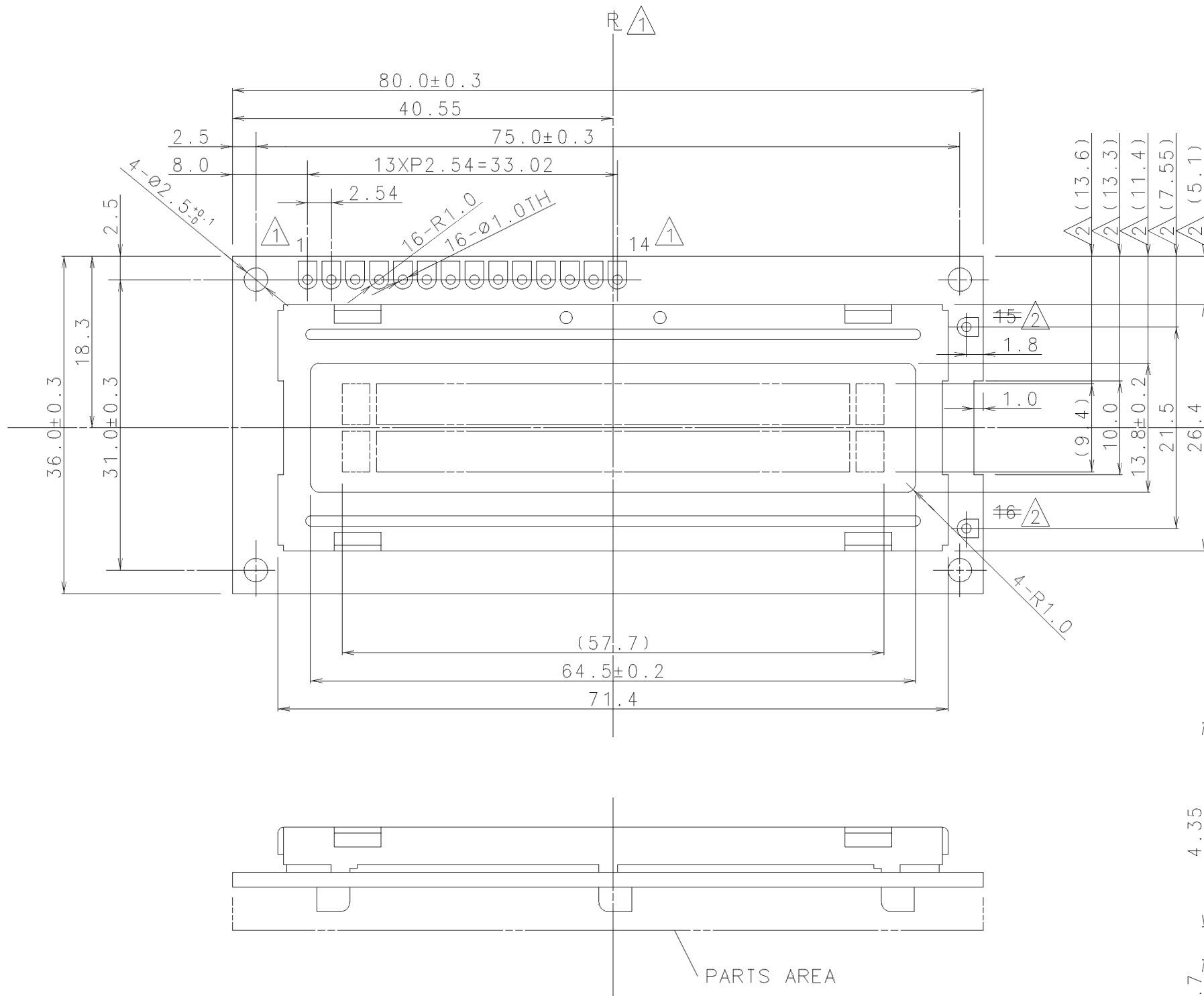




ISSUE	REVISIONS	DRAWN	APPROVED	DATE
1	CORRECTION AND ADDITION OF PIN No.	S.Mizobuchi	S.Kuwabara	SEP. 11'91
2	JAPANESE TO ENGLISH CORRECTION OF PIN No. ADDITION OF DIMENSION.	S.Mizobuchi	S.Kuwabara	SEP. 11'91



PIN ASSIGNMENT

No,	SYMBOL
1	VSS
2	VCC
3	VEE
4	RS
5	R/W
6	E
7	DB0
8	DB1
9	DB2
10	DB3
11	DB4
12	DB5
13	DB6
14	DB7
15	Et
16	Et

1 DOTS DETAIL (SCALE 10:1)

TOLERANCE			THIRD ANGLE PROJECTION	DATE AUG.04'93	OPTREX CORPORATION
MEASURE	A	B			
L≤16	±0.1	±0.3	±1	UNIT mm	APPROVED S.Kuwabara
16<L≤63	±0.2	±0.5	±1.5	SCALE 2:1	CHECKED Y.Takada
63<L≤250	±0.3	±0.8	±2		DRAWN S.Mizobuchi
250<L≤500	±0.5	±1.2	±3		
500<L	±0.8	±2	±4		
ANGLE	±1°	±5°	±10°		

DATE	TITLE
AUG.04'93	OPTREX CORPORATION
APPROVED S.Kuwabara	DIMENSIONL OUTLINE
CHECKED Y.Takada	CODE DMC16249 Series
DRAWN S.Mizobuchi	DWG NO UE-33528B