



PIN ASSIGNMENT
CN1

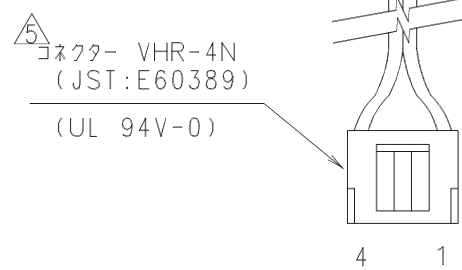
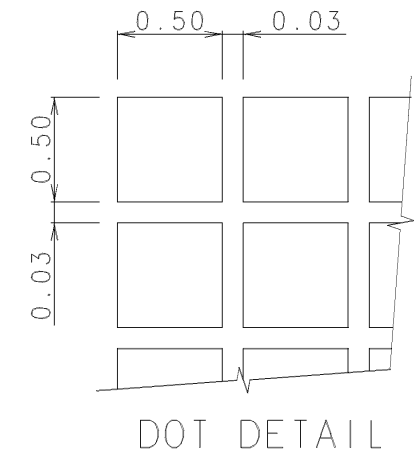
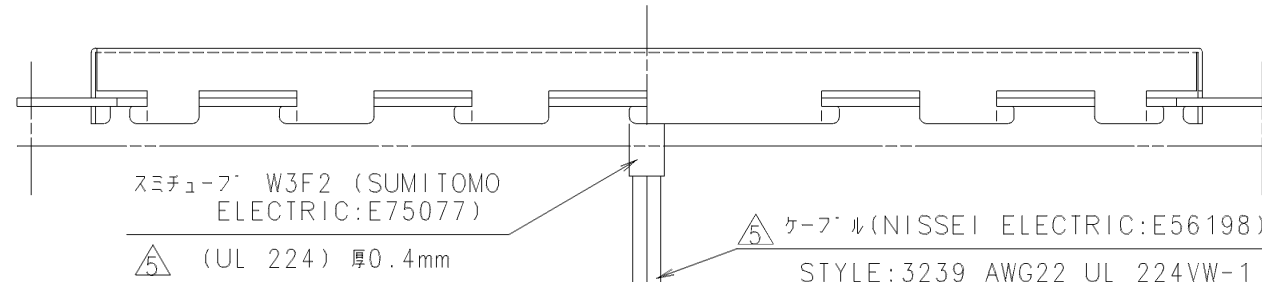
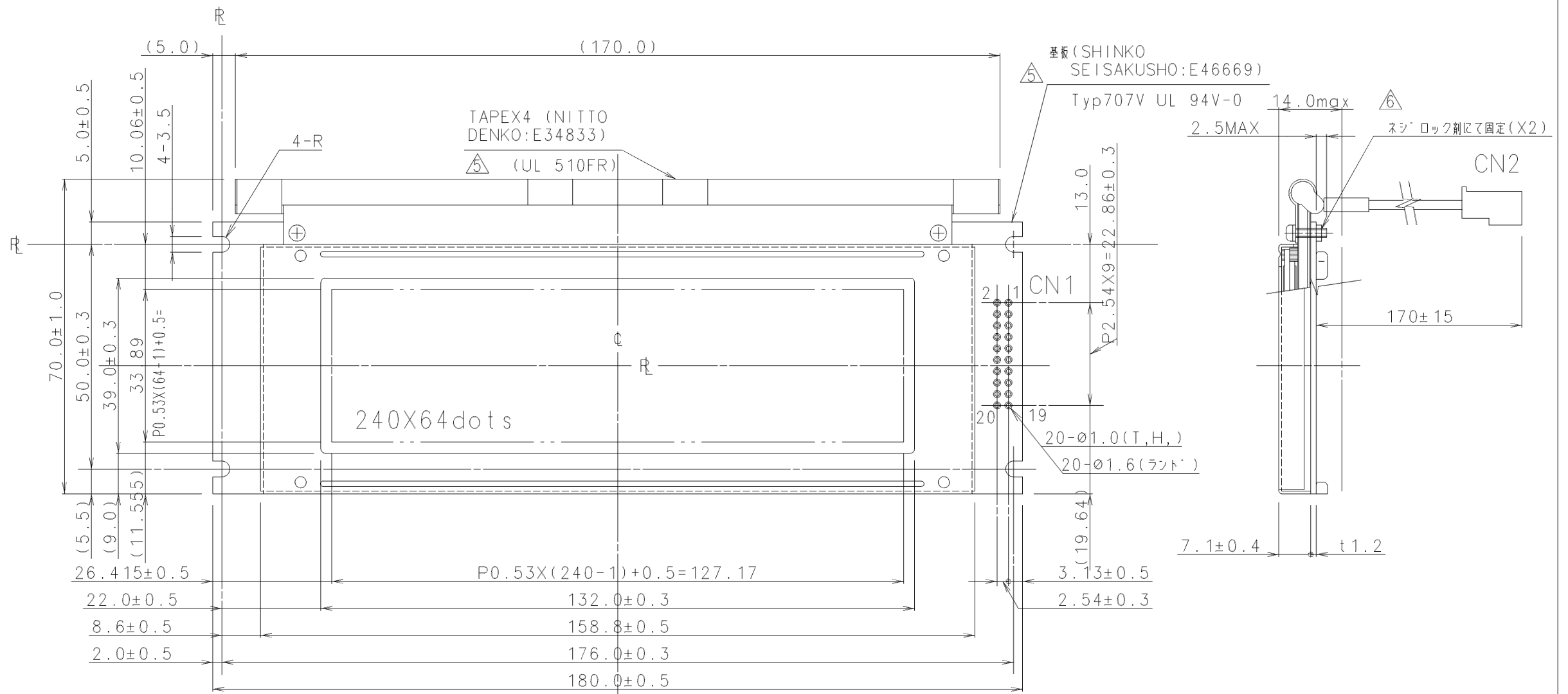
PIN No	SYMBOL
1	FG
2	Vss
3	Vcc
4	VEE
5	WR
6	RD
7	CE
8	C/D
9	NC
10	RESET
11	D0
12	D1
13	D2
14	D3
15	D4
16	D5
17	D6
18	D7
19	FS
20	INVERT

CN2

PIN No	SYMBOL
1	CFL
2	NC
3	NC
4	CFL(GND)

TOLERANCE			
MEASURE	A	Ⓟ	C
1 ≤ l ≤ 16	±0.1	±0.3	±1
16 < l ≤ 63	±0.2	±0.5	±1.5
63 < l ≤ 250	±0.3	±0.8	±2
250 < l ≤ 500	±0.5	±1.2	±3
500 < l ≤ 1000	±0.8	±2	±4

ANGLE		
ANGLE	ANGLE	ANGLE
±30'	±1°	±2°



ケーブル (NISSEI ELECTRIC: E56198)
STYLE: 3239 AWG22 UL 224VW-1

ISSUE	DATE	REVISIONS	NAME
7	Nov 9'94	ADDITION OF MODEL NAME	K.M
6	Jan 20'94	SYNTHETIC RESINS MATERIAL TO FIX SCREWS AND NUTS	Y.Y
5	Oct 4'93	ADDITION OF NOTE	Y.Y
4	Jul 23'93	MAKE AN OVERALL REVISION	Y.Y
3	May 10'93	CHANGE OF DIMENSION	Y.Y
2	Feb 23'93	CHANGE OF SYMBOL	Y.Y
1	Dec 10'92	CHANGE OF SYMBOL AND CABLE	Y.Y

OPTREX CORPORATION

MATERIAL	FINISH	Q'ty	NOTE
3rd ANGLE PROJECTION	TOLERANCE CLASS: B	SCALE: 1:1	
APPROVED -----	MODEL	DMF-50316NF-FW-1 DMF-50316NFU-FW-1	
CHECKED -----	TITLE	DIMENSIONAL OUTLINE	
DRAWN May, 10'93 Y, YAMAGUCHI	CODE		
DESIGNED Oct, 5'92 S, KUWABARA	DRAWING No.	UE-34603 G	