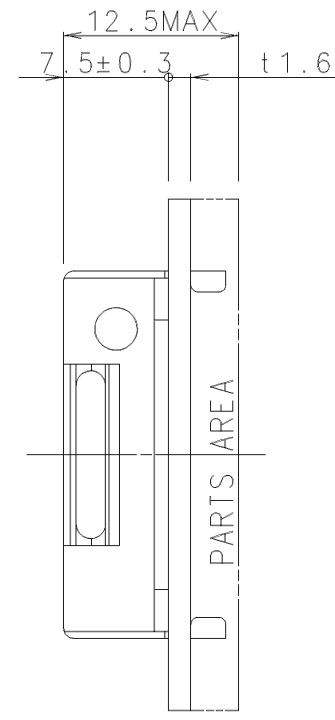
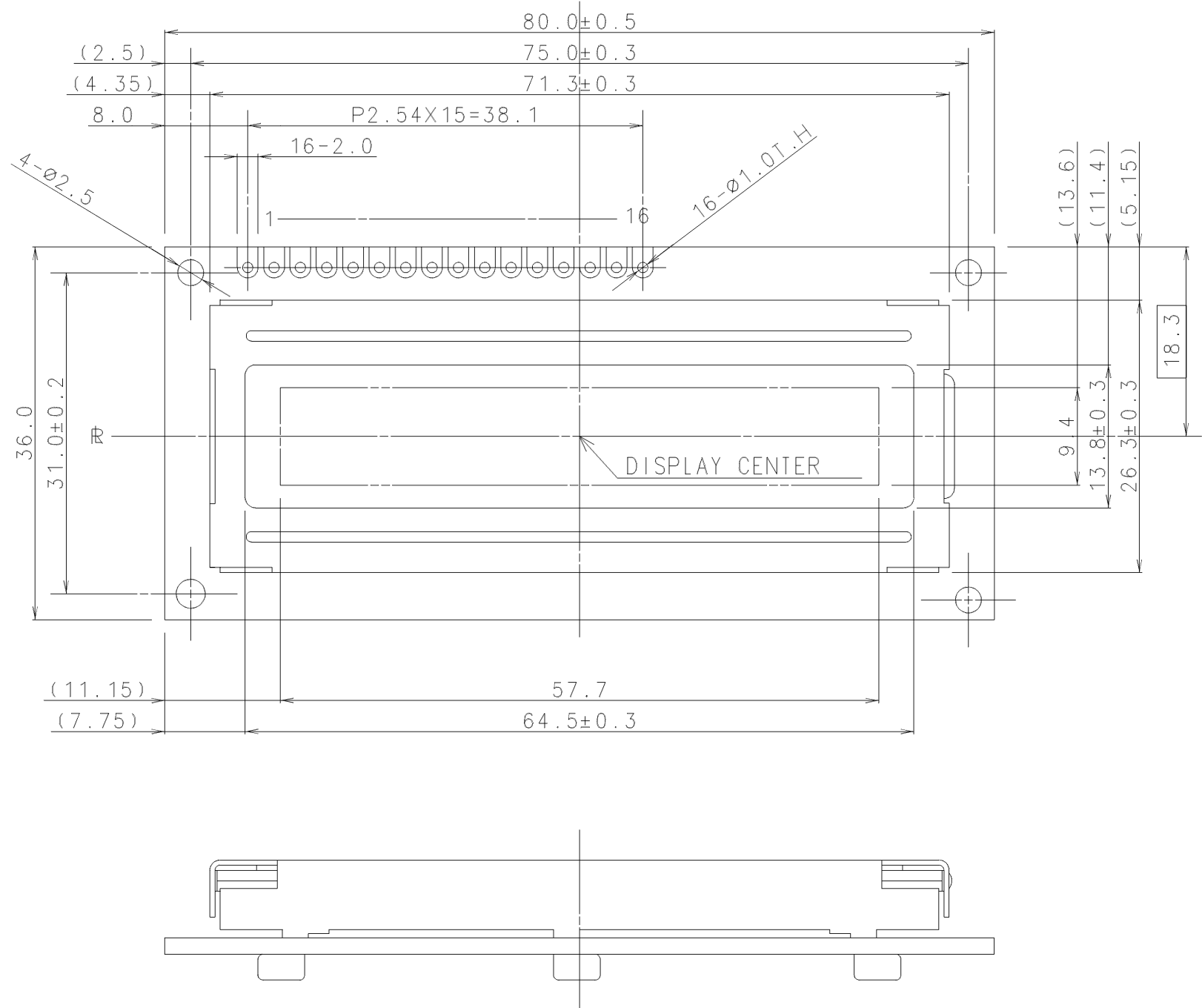
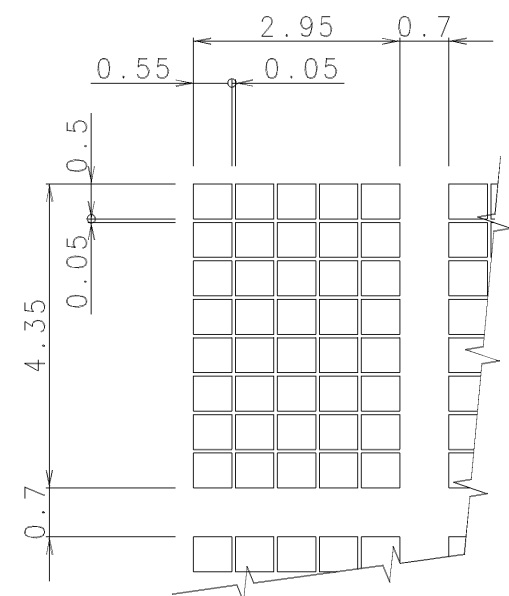




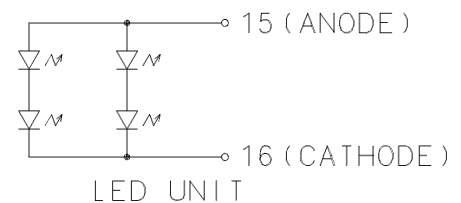
ISSUE	REVISIONS	DRAWN	APPROVED	DATE
△				



PIN ASSIGNMENT	
CN1	
No.	SYMBOL
1	VSS
2	VCC
3	VEE
4	RS
5	R/W
6	E
7	DB0
8	DB1
9	DB2
10	DB3
11	DB4
12	DB5
13	DB6
14	DB7
15	LED:ANODE
16	LED:CATHODE



DOT DETAIL



MEASURE	TOLERANCE			THIRD ANGLE PROJECTION	DATE	OPTREX CORPORATION
	A	B	C		DEC.04'92	
L≤16	±0.1	±0.3	±1	UNIT	APPROVED	TITLE
16<L≤63	±0.2	±0.5	±1.5		S.Kuwabara	DIMENSIONL OUTLINE
63<L≤250	±0.3	±0.8	±2	SCALE	CHECKED	CODE
250<L≤500	±0.5	±1.2	±3		S.Matsuoka	
500<L	±0.8	±2	±4	DRAWN	DWG NO	UE-34716
ANGLE	±1°	±5°	±10°		D.Natsume	