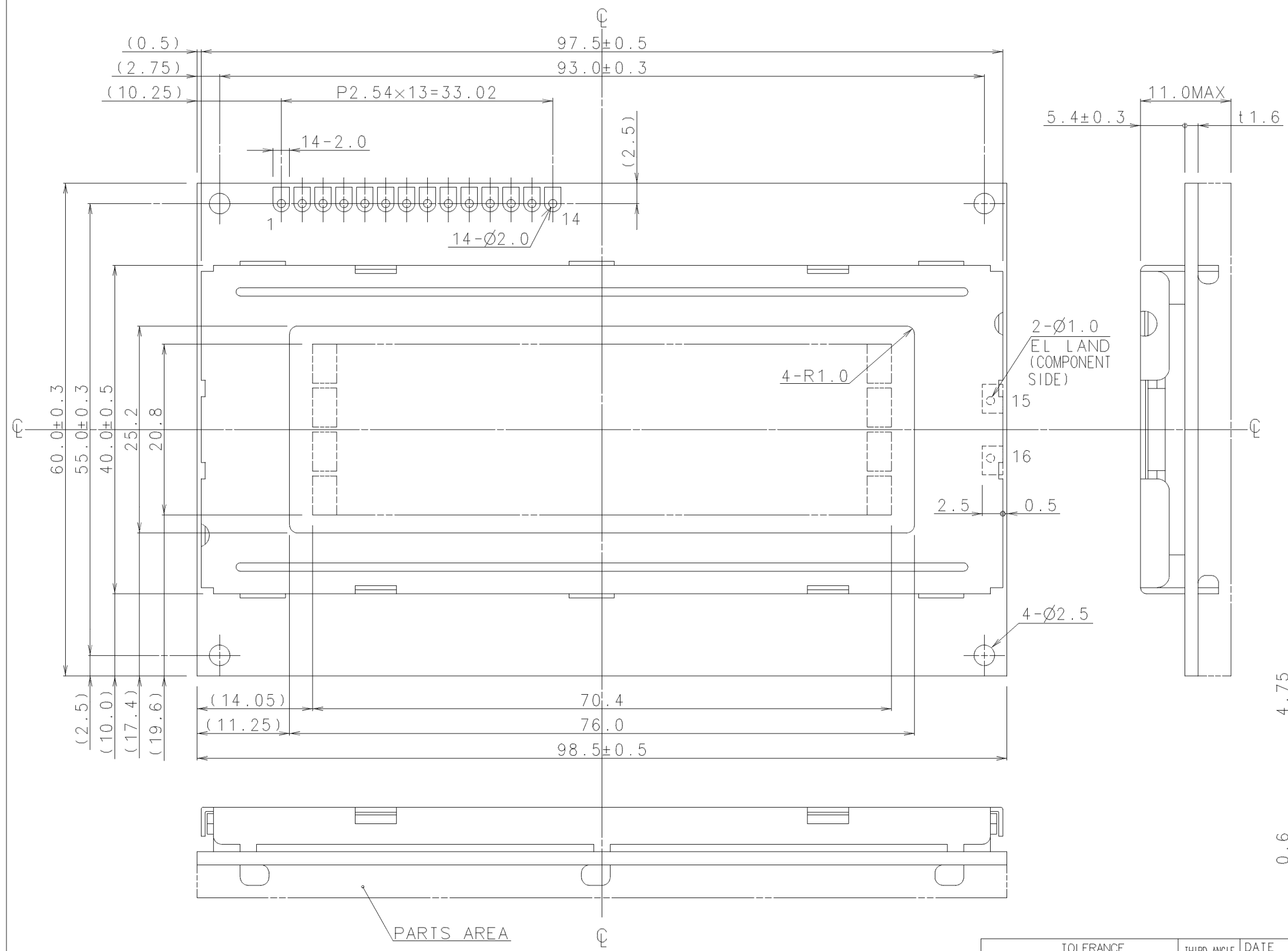
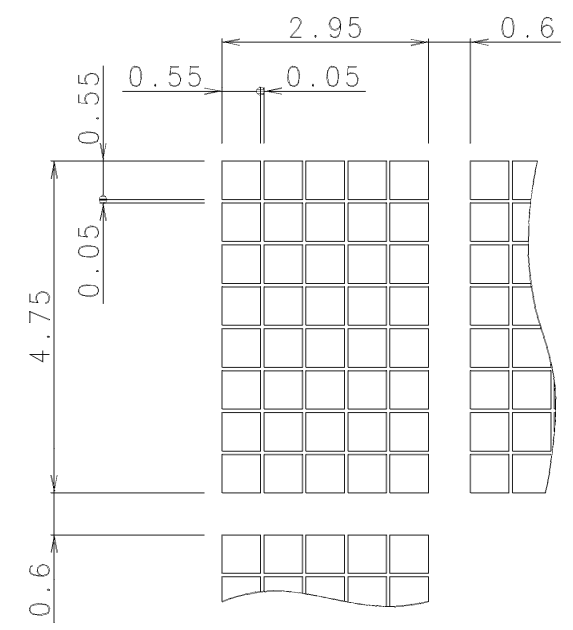




| | | | | |
|-------|-----------|-------|----------|------|
| ISSUE | REVISIONS | DRAWN | APPROVED | DATE |
| △ | | | | |

PIN ASSIGNMENT

| PIN No. | SYMBOL |
|---------|-----------------|
| 1 | V _{SS} |
| 2 | V _{CC} |
| 3 | V _{EE} |
| 4 | RS |
| 5 | R/W |
| 6 | E |
| 7 | DB0 |
| 8 | DB1 |
| 9 | DB2 |
| 10 | DB3 |
| 11 | DB4 |
| 12 | DB5 |
| 13 | DB6 |
| 14 | DB7 |
| 15 | EL |
| 16 | EL |



PARTS AREA

| | | | | | |
|-----------|------|------|------------------------|-------|--------------------|
| TOLERANCE | | | THIRD ANGLE PROJECTION | DATE | OPTREX CORPORATION |
| MEASURE | A | B | | C | |
| L≤16 | ±0.1 | ±0.3 | ±1 | UNIT | APPROVED |
| 16<L≤63 | ±0.2 | ±0.5 | ±1.5 | mm | S.Kuwabara |
| 63<L≤250 | ±0.3 | ±0.8 | ±2 | SCALE | CHECKED |
| 250<L≤500 | ±0.5 | ±1.2 | ±3 | 2:1 | S.Matsuoka |
| 500<L | ±0.8 | ±2 | ±4 | DRAWN | Y.Takada |
| ANGLE | ±1° | ±5° | ±10° | | DWG NO |
| | | | | | UE-34749 |