

PIN ASSIGNMENT
CN1

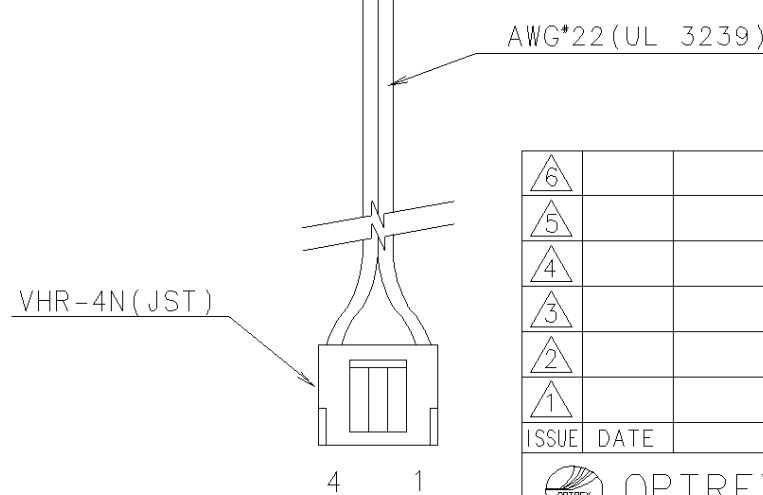
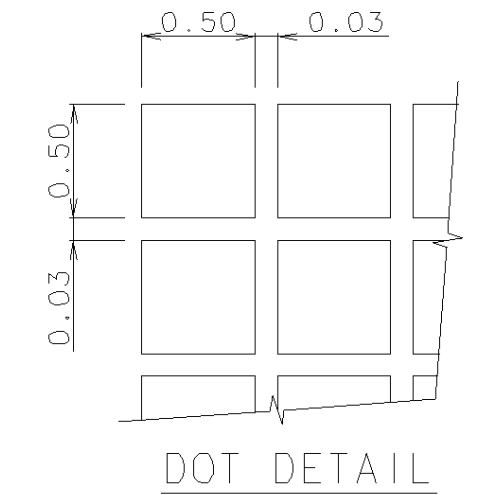
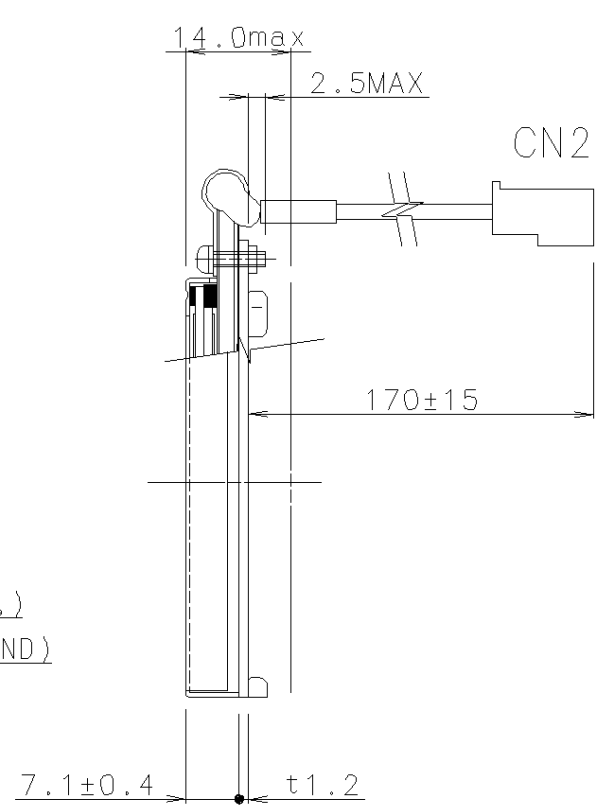
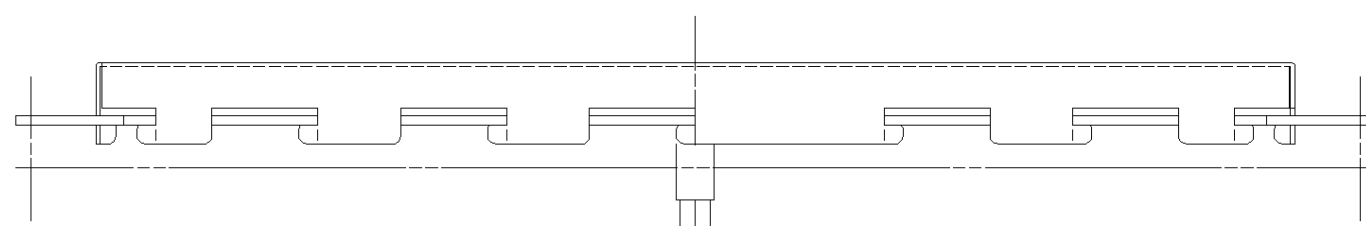
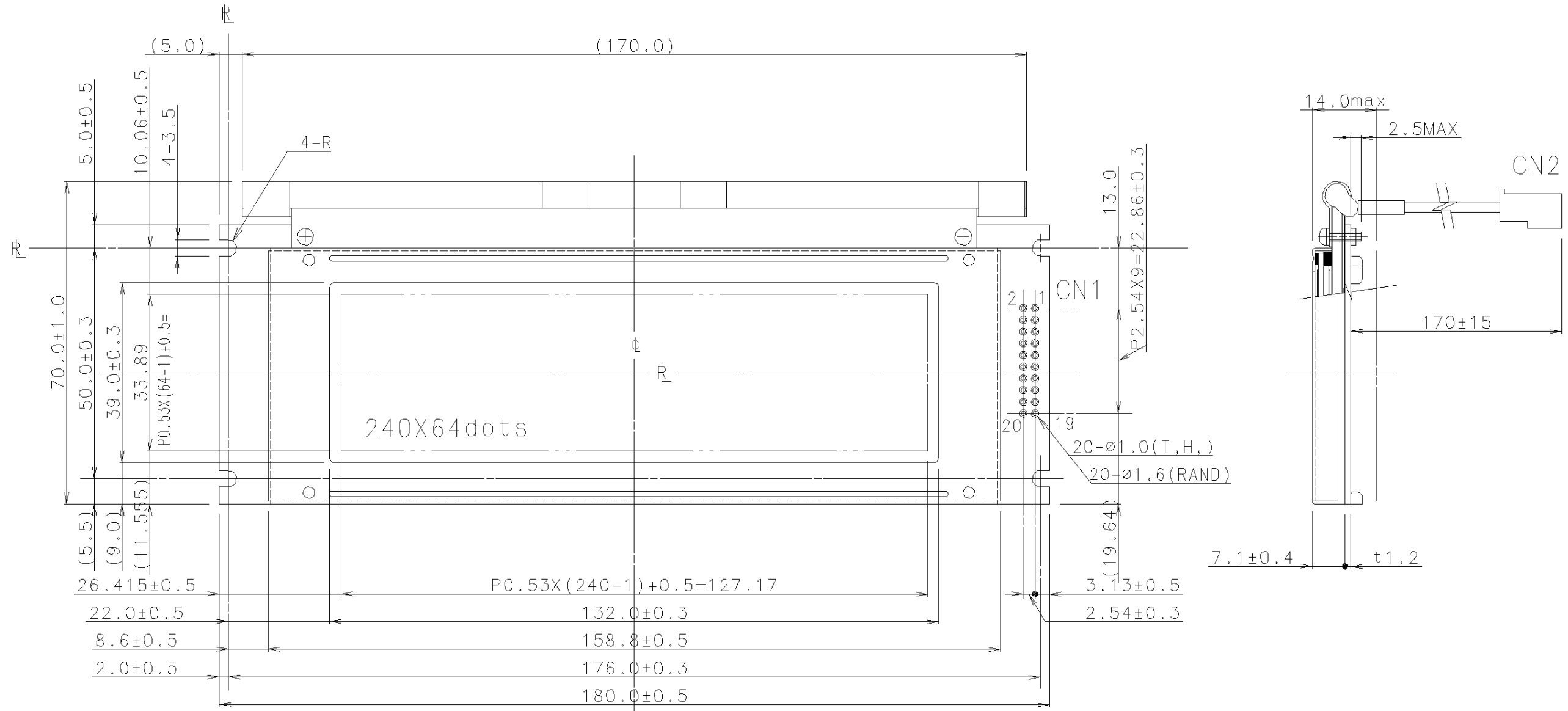
PIN No	SYMBOL
1	FG
2	VSS
3	VCC
4	VEE
5	WR
6	RD
7	CE
8	C/D
9	NC
10	RESET
11	D0
12	D1
13	D2
14	D3
15	D4
16	D5
17	D6
18	D7
19	FS
20	INVERT

CN2

PIN No	SYMBOL
1	CFL
2	NC
3	NC
4	CFL (GND)

TOLERANCE			
MEASURE	A	B	C
l ≤ 16	±0.1	±0.3	±1
16 < l ≤ 63	±0.2	±0.5	±1.5
63 < l ≤ 250	±0.3	±0.8	±2
250 < l ≤ 500	±0.5	±1.2	±3
500 < l ≤ 1000	±0.8	±2	±4

ANGLE		
ANGLE	TOLERANCE	ANGLE
±30'	±1°	±2°



6							
5					MATERIAL	FINISH	Q'ty
4					3rd ANGLE PROJECTION	TOLERANCE CLASS: B	SCALE: 1:1
3					APPROVED	MODEL	DMF-50316 Series
2					CHECKED	TITLE	DIMENSIONAL OUTLINE
1					DRAWN	CODE	
ISSUE DATE				REVISIONS		NAME	
OPTREX CORPORATION				DESIGNED		DRAWING No.	



OPTREX CORPORATION

DESIGNED
Y. YAMAGUCHI

DRAWING No. UE-35433