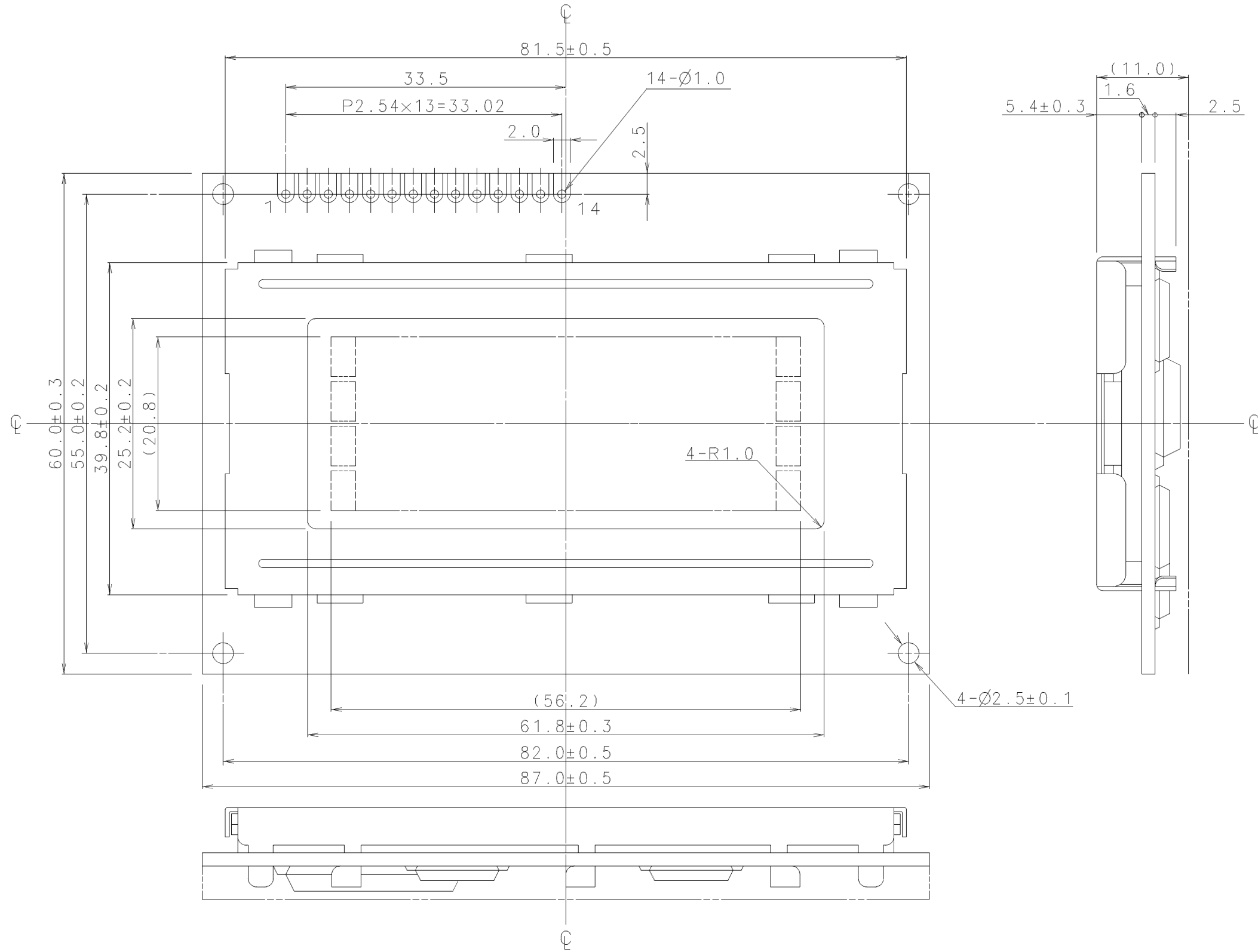


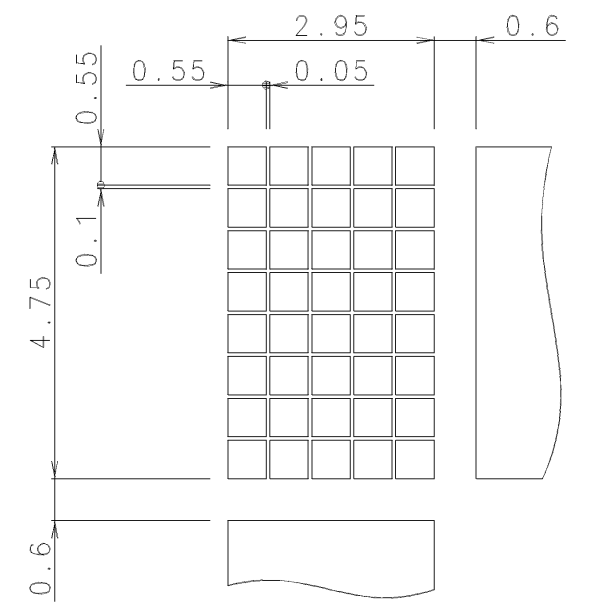


ISSUE	REVISIONS	DRAWN	APPROVED	DATE
△				



PIN ASSIGNMENT

PIN No.	SYMBOL
1	V _{SS}
2	V _{CC}
3	V _{EE}
4	RS
5	R/W
6	E
7	DB0
8	DB1
9	DB2
10	DB3
11	DB4
12	DB5
13	DB6
14	DB7



DOT DETAIL SCALE 10:1

MEASURE	TOLERANCE			THIRD ANGLE PROJECTION	DATE	OPTREX CORPORATION
	A	B	C		DEC. 12 '86	TITLE
L ≤ 16	±0.1	±0.3	±1	UNIT	APPROVED	DIMENSIONAL OUTLINE
16 < L ≤ 63	±0.2	±0.5	±1.5	mm	M. Iida	CODE
63 < L ≤ 250	±0.3	±0.8	±2	SCALE	CHECKED	DMC16433
250 < L ≤ 500	±0.5	±1.2	±3	2:1	T. Ohyama	DWG NO
500 < L	±0.8	±2	±4		DRAWN	UE-30370
ANGLE	±1°	±5°	±10°		T. Okamoto	