



ECC82/12AU7

ECC82 is A.F. Double Triode



Quick reference data

- Anode current $I_a=10,5\text{mA}$
- Transconductance $S=2,2\text{mA/V}$
- Amplification $\mu=17$

Heating

Heating is indirect by AC od DC, with serial or parallel supply.

Heater voltage	V_f	6,3	12,6	(V)
Heater current	I_f	300	150	(mA)
pins		9-(4+5)	4-5	

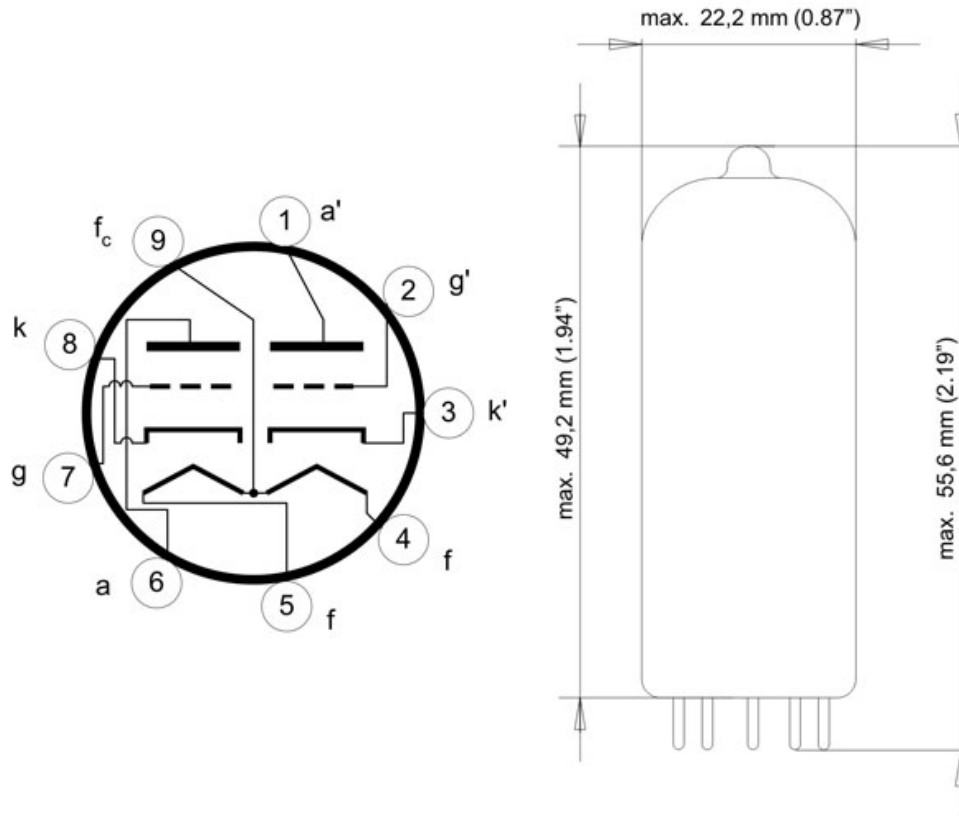
Telephone: +381 18 550 741
FAX: +381 18 550 806
Postal address: Bul. Sv. Cara Konstantina 80-86, 18000 Nis, Yugoslavia
Electronic mail: eirc@eierc.com
Web site: <http://www.eierc.com/rc/default.htm>



ECC82/12AU7

Dimensions and connections

Base: Noval



Typical characteristics and operating conditions

Anode voltage	V_a	100	250	(V)
Grid voltage	V_g	0	-8,5	(V)
Anode current	I_a	11,8	10,5	(mA)
Transconductance	S	3,1	2,2	(mA/V)
Amplification	μ	19,5	17	
Internal resistance	R_i	6,25	7,7	(k Ω)

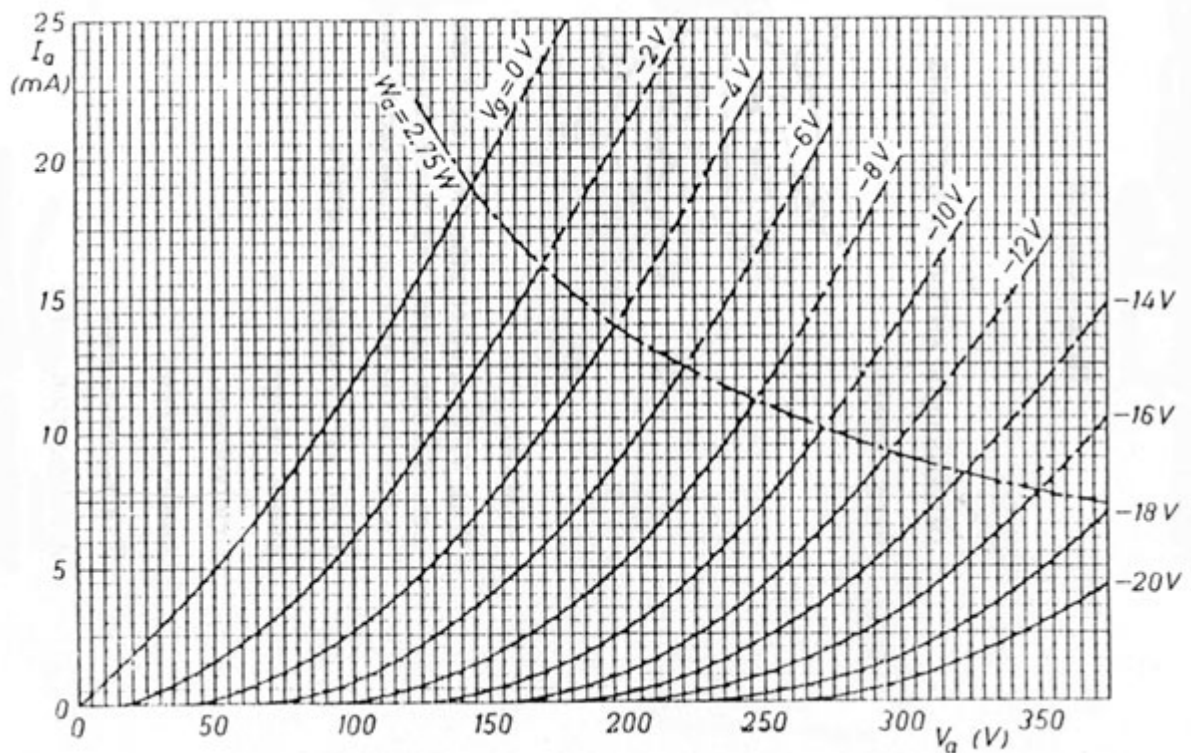
Telephone: +381 18 550 741
 FAX: +381 18 550 806
 Postal address: Bul. Sv. Cara Konstantina 80-86, 18000 Nis, Yugoslavia
 Electronic mail: eirc@eierc.com
 Web site: <http://www.eierc.com/rc/default.htm>



ECC82/12AU7

Limiting - maximal values (design center rating system)

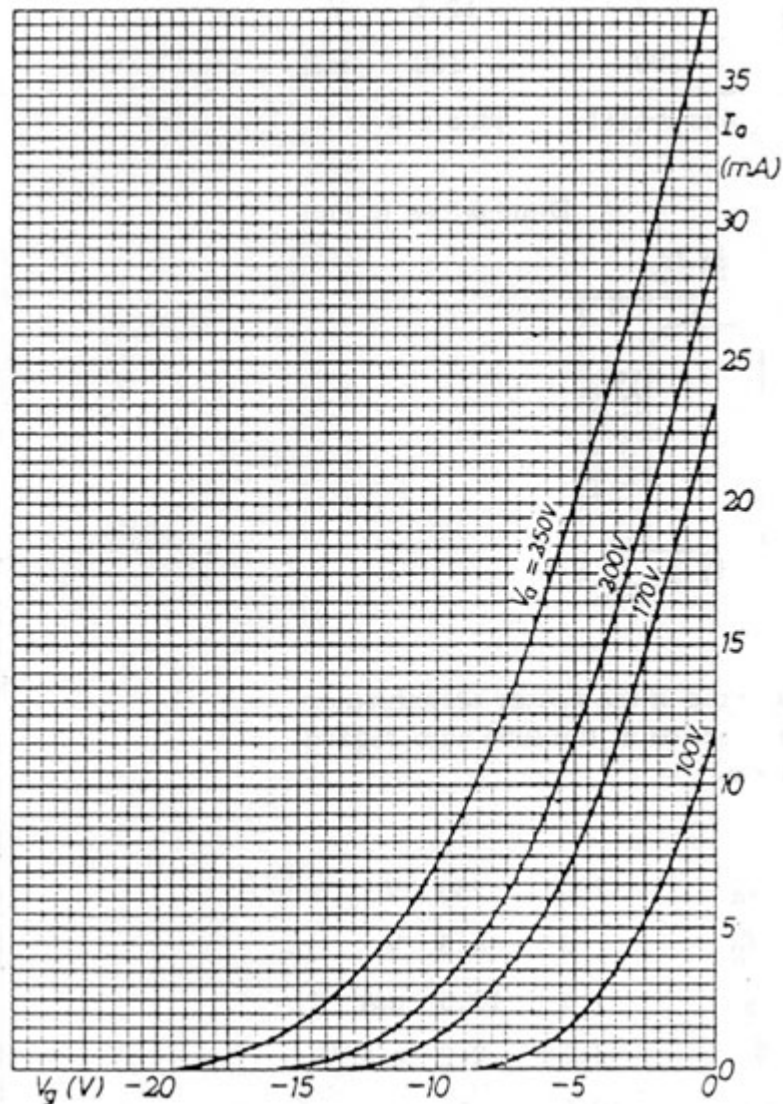
Anode voltage	V_{ao}	550	(V)
	V_a	300	
Anode dissipation	W_a	2,75	(W)
Cathode current	I_k	20	(mA)
Grid voltage	V_g	-100	(V)
Grid voltage, peak	V_{gp}	-250	(V)
Grid resistor (automatic bias)	R_g	1	(M Ω)
Cathode to heater voltage	V_{kf}	180	(V)
Cathode to heater circuit resistance in phase splitting circuits	R_{kf}	150	(k Ω)



Telephone: +381 18 550 741
 FAX: +381 18 550 806
 Postal address: Bul. Sv. Cara Konstantina 80-86, 18000 Nis, Yugoslavia
 Electronic mail: eirc@eierc.com
 Web site: <http://www.eierc.com/rc/default.htm>



ECC82/12AU7



Application note:

This tube can be used without precautions against microphony in equipment which is characterized by $V_i \geq 10\text{mV}$ for an output of 50mW of the output tube (or $V_i \geq 100\text{mV}$ for 5W output), provided that average acceleration of the tube is not greater than indicated in the Section "Microphonic effect" from the "Application directions". When the center tap of the heater transformer is grounded, $R_g \leq 0,3\text{M}\Omega$ and R_k is sufficiently decoupled, and the disturbance level from hum and noise will be better than 60dB below 100mV.

Telephone:	+381 18 550 741
FAX:	+381 18 550 806
Postal address:	Bul. Sv. Cara Konstantina 80-86, 18000 Nis, Yugoslavia
Electronic mail:	eirc@eierc.com
Web site:	http://www.eierc.com/rc/default.htm