

**Features**

- Open reflective architecture
- Low on-resistance of 1.6Ω
- Low insertion loss
  - 0.25 dB @ 900 MHz
  - 0.40 dB @ 2200 MHz
- High power handling
  - 35.1 dBm @ 900 MHz
  - 35.1 dBm @ 2200 MHz
- Wide power supply range (2.3V to 5.5V)
- High ESD tolerance of 2 kV HBM on all pins
- Applications include
  - Tunable antennas
  - Tunable matching networks
  - Bypassing applications
  - RFID readers

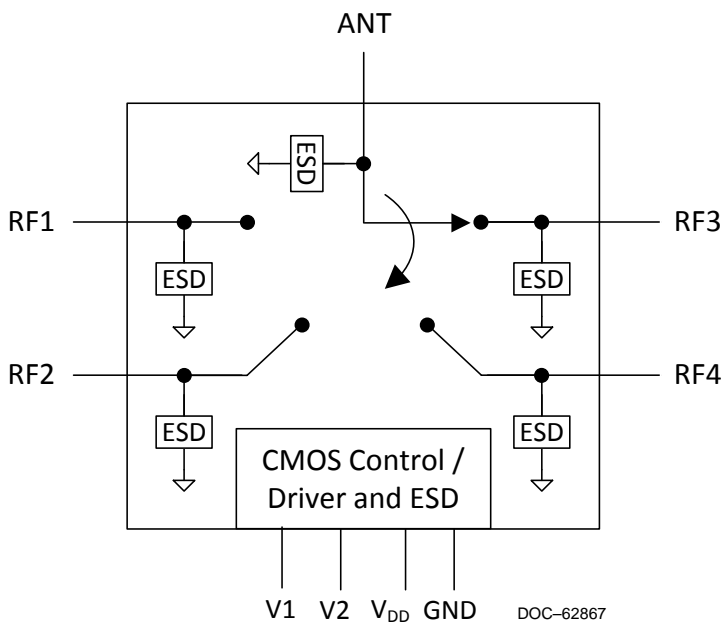
**Product Description**

The PE613050 is an SP4T tuning control switch based on Peregrine’s UltraCMOS® technology. This highly versatile switch supports a wide variety of tuning circuit topologies with emphasis on impedance matching and aperture tuning applications. PE613050 features low on-resistance and insertion loss across key cellular frequency bands from 5 to 3000 MHz.

PE613050 offers high RF power handling and ruggedness, while meeting challenging harmonic and linearity requirements enabled by Peregrine’s HaRP™ technology. With two-pin low voltage CMOS control, all decoding and biasing is integrated on-chip and no external bypassing or filtering components are required.

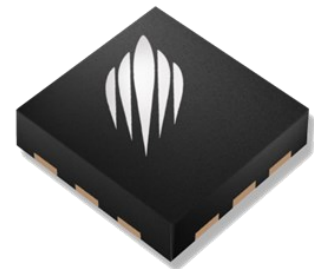
UltraCMOS tuning devices feature ease of use while delivering superior RF performance. With built-in bias voltage generation and ESD protection, tuning control switches provide a monolithically integrated tuning solution for demanding RF applications.

**Figure 1. Functional Diagram**



**Figure 2. Package Type**

12-lead 2 × 2 × 0.5 mm QFN



**Table 1. Electrical Specifications @ 25°C, V<sub>DD</sub> = 2.75V**

Parameter	Condition	Min	Typ	Max	Unit
Operating Frequency		5		3000	MHz
R <sub>ON</sub>	RF-ANT, ON state, DC measurement		1.6		Ω
C <sub>OFF</sub>	RF-ANT, any OFF state		0.14		pF
Insertion Loss <sup>1</sup>	RF-ANT 5–100 MHz		0.17		dB
	RF-ANT 100–698 MHz		0.20	0.30	dB
	RF-ANT 698–960 MHz		0.25	0.35	dB
	RF-ANT 960–1710 MHz		0.35	0.45	dB
	RF-ANT 1710–2170 MHz		0.40	0.50	dB
	RF-ANT 2170–2500 MHz		0.45	0.55	dB
	RF-ANT 2500–2690 MHz		0.50	0.60	dB
Isolation <sup>2</sup>	RF-ANT 5–100 MHz		46		dB
	RF-ANT 100–698 MHz	26	28		dB
	RF-ANT 698–960 MHz	25	27		dB
	RF-ANT 960–1710 MHz	21	23		dB
	RF-ANT 1710–2170 MHz	19	21		dB
	RF-ANT 2170–2500 MHz	18	20		dB
	RF-ANT 2500–2690 MHz	17	19		dB
	RF-ANT 2690–3000 MHz	15	17		dB
Harmonics <sup>3</sup>	RF-ANT (2fo: 5 to 100 MHz; +26 dBm @ TX)		-58		dBm
	RF-ANT (3fo: 5 to 100 MHz; +26 dBm @ TX)		-87		dBm
	RF-ANT (2fo: 698 to 915 MHz; +35 dBm @ TX)		-62	-36	dBm
	RF-ANT (3fo: 698 to 915 MHz; +35 dBm @ TX)		-55	-36	dBm
	RF-ANT (2fo: 1710 to 1910 MHz; +33 dBm @ TX)		-58	-36	dBm
	RF-ANT (3fo: 1710 to 1910 MHz; +33 dBm @ TX)		-55	-36	dBm
	RF-ANT (2fo: 698 to 798 MHz; +26 dBm @ TX)		-80	-36	dBm
	RF-ANT (3fo: 698 to 798 MHz; +26 dBm @ TX)		-82	-36	dBm
	RF-ANT (2fo: 2500 to 2570 MHz; +26 dBm @ TX)		-70	-36	dBm
	RF-ANT (3fo: 2500 to 2570 MHz; +26 dBm @ TX)		-70	-36	dBm
Input IP3	5–100 MHz		80		dBm
	100–3000 MHz		72		dBm
IMD3	Bands I,II,V,VIII, +20 dBm CW @ TX freq, -15 dBm CW @ 2TX-RX freq, 50Ω, SW <sub>ON</sub>		-120	-105	dBm
Switching Time	50% VCTRL to 90% RF ON or 10% RF OFF		2	5	μs
Start-up Time <sup>3</sup>	Time from V <sub>DD</sub> within specification to all performances within specification			70	μs

Notes: 1. Tapered transmission lines on evaluation board provide optimal matching; no additional components on evaluation board required to meet specified performance. See Figure 5 for evaluation board layout.  
 2. Open reflective architecture for flexible configuration of switch in tuning application.  
 3. Pulsed RF input with 4620 μs period, 50% duty cycle, measured per 3GPP TS 45.005.

Figure 3. Pin Configuration (Top View)

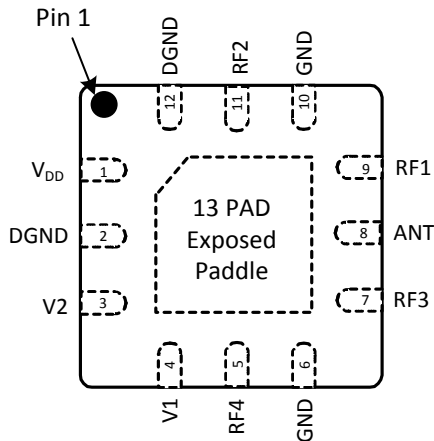


Table 2. Pin Descriptions

Pin No.	Pin Name	Description
1	V <sub>DD</sub>	Supply
2	DGND	Digital Ground
3	V2	Switch control input, CMOS logic level
4	V1	Switch control input, CMOS logic level
5	RF4	RF I/O
6	GND	Ground <sup>1</sup>
7	RF3	RF I/O
8	ANT	RF Common - Antenna
9	RF1	RF I/O
10	GND	Ground <sup>1</sup>
11	RF2	RF I/O
12	DGND	Digital Ground <sup>1</sup>
13	PAD	Exposed Paddle <sup>2</sup>

Notes: 1. All ground pins must be tied together (pins 6, 10, 12).  
2. Recommend grounding but can be left floating.

### Moisture Sensitivity Level

The Moisture Sensitivity Level rating for the PE613050 in the 12-lead 2 × 2 mm QFN package is MSL1.

Table 3. Truth Table

Path	V2	V1
RF1-ANT	0	0
RF2-ANT	1	0
RF3-ANT	0	1
RF4-ANT	1	1

Table 4. Operating Ranges

Parameter	Min	Typ	Max	Unit
V <sub>DD</sub> Supply Voltage	2.30	2.75	5.50	V
I <sub>DD</sub> Power Supply Current (V <sub>DD</sub> = 2.75V, +25 °C)		140	200	μA
V <sub>IH</sub> Control Voltage High	1.2	1.5	3.1	V
V <sub>IL</sub> Control Voltage Low	0	0	0.5	V
Control Input Current		1	10	μA
Peak Operating RF Voltage <sup>1,2</sup> 5–100 MHz 100 MHz–1 GHz 1 GHz–3 GHz			10 <sup>5</sup> 18 <sup>3</sup> 18 <sup>4</sup>	V <sub>PK</sub> V <sub>PK</sub> V <sub>PK</sub>
T <sub>OP</sub> Operating Temperature Range	–40	+25	+85	°C

Notes: 1. Between all RF ports, and from RF ports to GND.  
2. Pulsed RF input duty cycle of 50% and 4620 μs, measured per 3GPP TS 45.005.  
3. RF input power of 35.1 dBm, 50Ω.  
4. RF input power of 35.1 dBm, 50Ω.  
5. RF input power of 30.0 dBm, 50Ω.

Table 5. Absolute Maximum Ratings

Symbol	Parameter/Conditions	Min	Max	Unit
V <sub>DD</sub>	Supply Voltage	–0.3	5.5	V
V <sub>CTRL</sub>	Digital Input Voltage (V1, V2)	–0.3	3.6	V
T <sub>ST</sub>	Storage Temperature Range	–65	+150	°C
V <sub>ESD,HBM</sub>	HBM ESD Voltage, All Pins*		2000	V

Note: \* Human Body Model (MIL\_STD 883 Method 3015.7).

Exceeding absolute maximum ratings may cause permanent damage. Operating should be restricted to the limits in the Operating Ranges table. Operation between operating range maximum and absolute maximum for extended periods may reduce reliability.

### Electrostatic Discharge (ESD) Precautions

When handling this UltraCMOS device, observe the same precautions that you would use with other ESD-sensitive devices. Although this device contains circuitry to protect it from damage due to ESD, precautions should be taken to avoid exceeding the specified rating.

### Latch-Up Avoidance

Unlike conventional CMOS devices, UltraCMOS devices are immune to latch-up.

### Equivalent Circuit Model Description

The Equivalent Circuit Model shown in *Figure 4* can be used to accurately model the impedance, insertion loss, and isolation of the SP4T Tuning Switch. It provides a very close correlation to measured data and can easily be used in circuit simulation programs.

*Table 7* provides the mapping between the desired switch RF state (RF1 thru RF4) and the state variables (SW1 thru SW4).

The equivalent circuit model parameter values can be calculated using equations shown in *Table 6*.

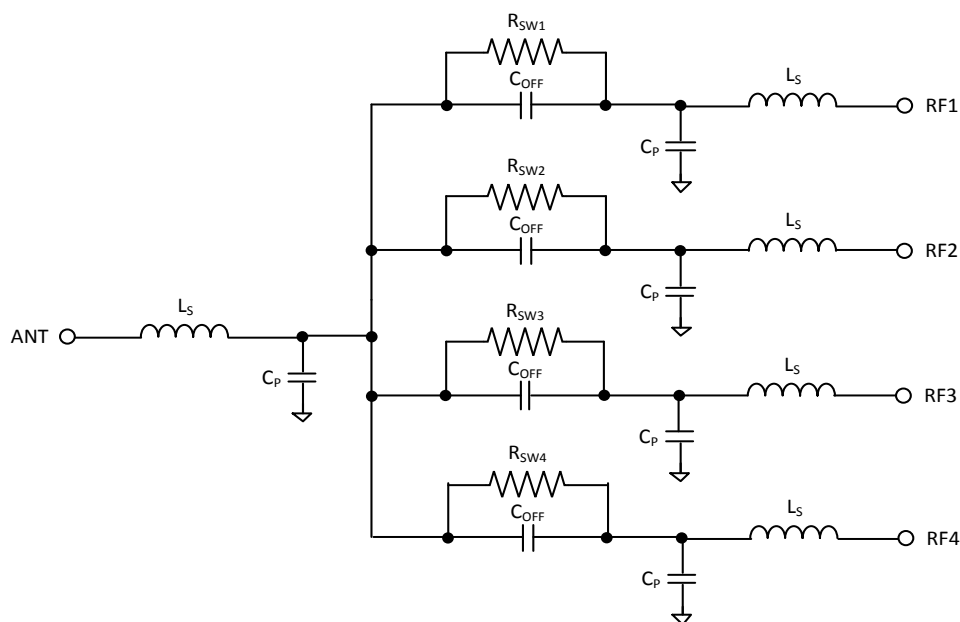
**Table 6. Equivalent Circuit Model Parameters**

Variable	Equation (SW=0 for OFF and SW=1 for ON)	Unit
$C_P$	0.25	pF
$C_{OFF}$	0.14	pF
$R_{SW1}$	If $SW_1 == 1$ then 1.6 else 400e3	$\Omega$
$R_{SW2}$	If $SW_2 == 1$ then 1.6 else 400e3	$\Omega$
$R_{SW3}$	If $SW_3 == 1$ then 1.6 else 400e3	$\Omega$
$R_{SW4}$	If $SW_4 == 1$ then 1.6 else 400e3	$\Omega$
$L_S$	0.4	nH

**Table 7. Equivalent Circuit Model Variables**

RF State	Variable					
	V2	V1	SW1	SW2	SW3	SW4
RF1-ANT	0	0	1	0	0	0
RF2-ANT	1	0	0	1	0	0
RF3-ANT	0	1	0	0	1	0
RF4-ANT	1	1	0	0	0	1

**Figure 4. Equivalent Circuit Model Schematic**

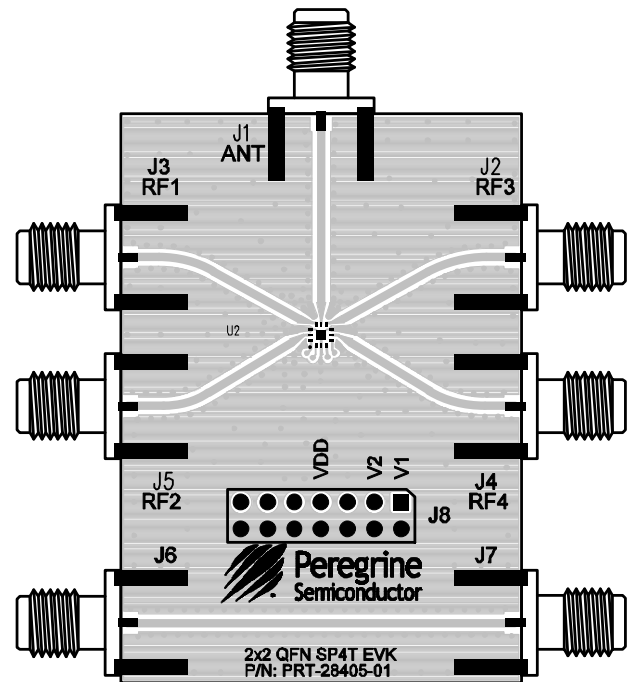


### Evaluation Board

The SP4T switch Evaluation Board was designed to ease customer evaluation of Peregrine's PE613050. The RF common port is connected through a 50 $\Omega$  transmission line via the top SMA connector, J1. RF1, RF2, RF3 and RF4 are connected through 50 $\Omega$  transmission lines via SMA connectors J3, J5, J2 and J4, respectively. A through 50 $\Omega$  transmission is available via SMA connectors J6 and J7. This transmission line can be used to estimate the loss of the PCB over the environmental conditions being evaluated.

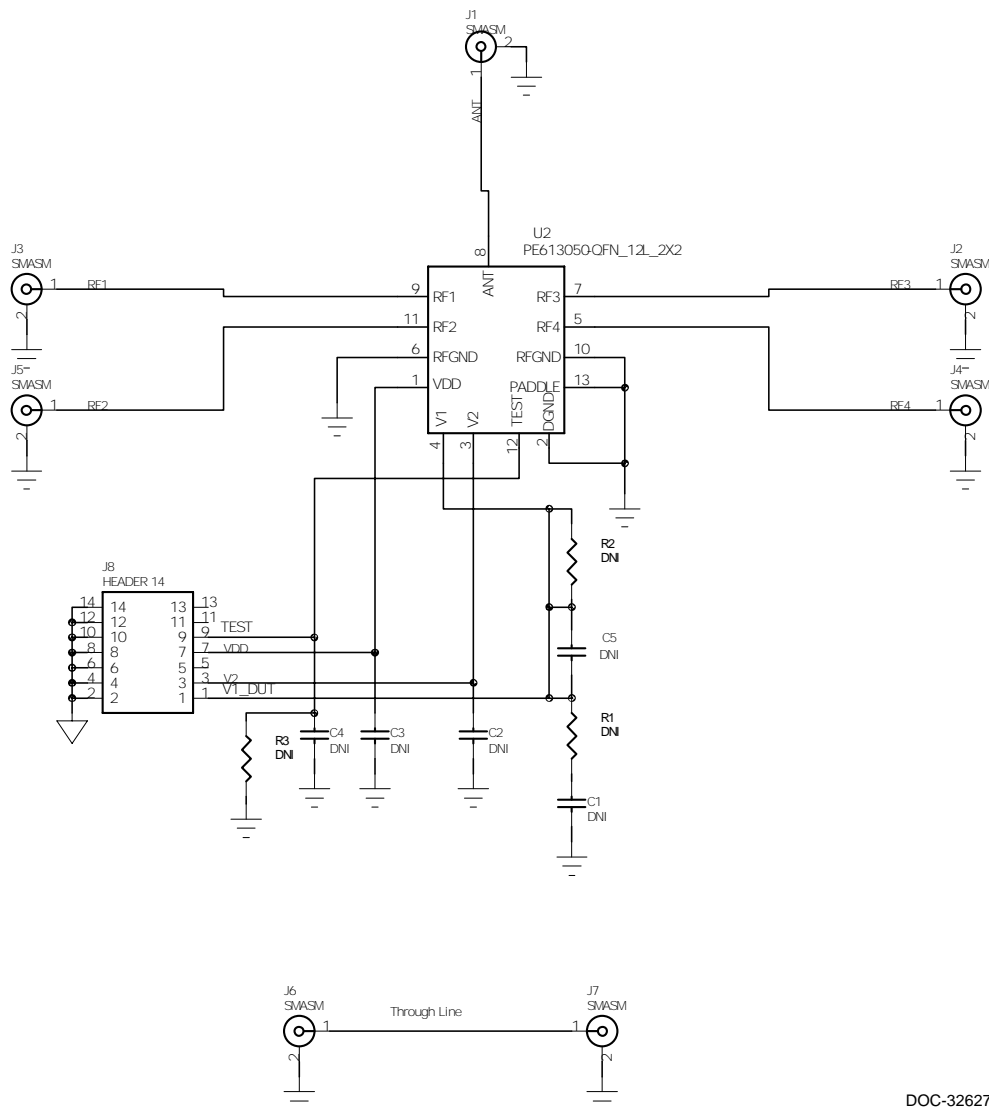
The board consists of a 4 layer stack with 2 outer layers made of Rogers 4350B ( $\epsilon_r = 3.48$ ) and 2 inner layers of FR4 ( $\epsilon_r = 4.80$ ). The total thickness of this board is 62 mils (1.57 mm). The inner layers provide a ground plane for the transmission lines. Each transmission line is designed using a coplanar waveguide with ground plane (CPWG) model using a trace width of 32 mils (0.813 mm), gap of 15 mils (0.381 mm), and a metal thickness of 1.4 mils (0.051 mm).

Figure 5. Evaluation Board Layout



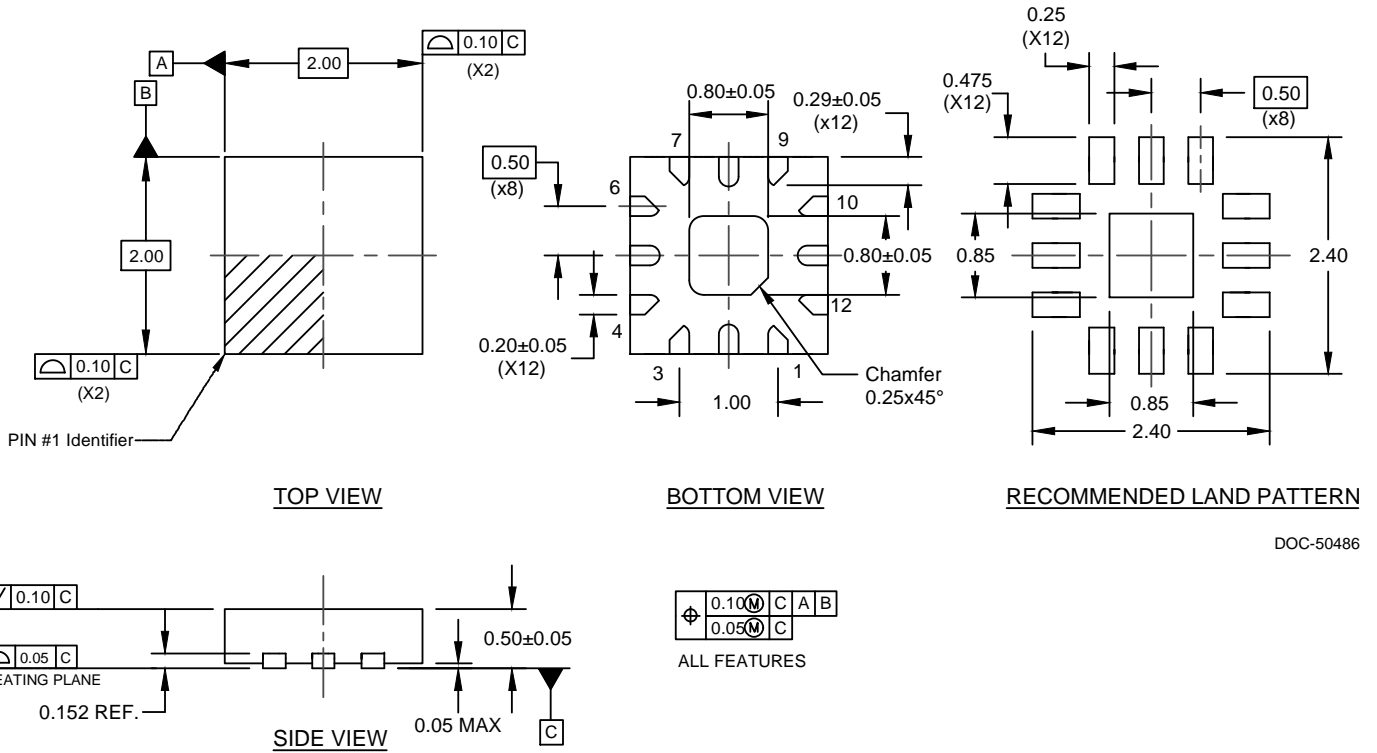
PRT-28405

Figure 6. Evaluation Board Schematic



DOC-32627

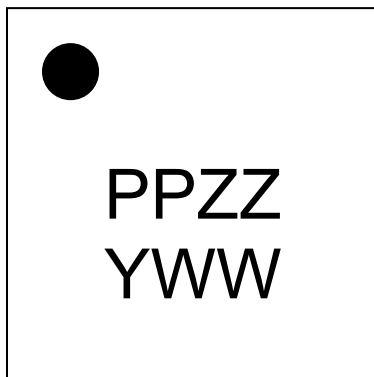
**Figure 7. Package Drawing**  
12-lead 2 × 2 × 0.50 mm



DOC-50486

- Notes: 1. Dimensions are in millimeters.  
2. Dimensions and tolerances per ASME Y14.5M, 1994.

**Figure 8. Top Marking Specifications**

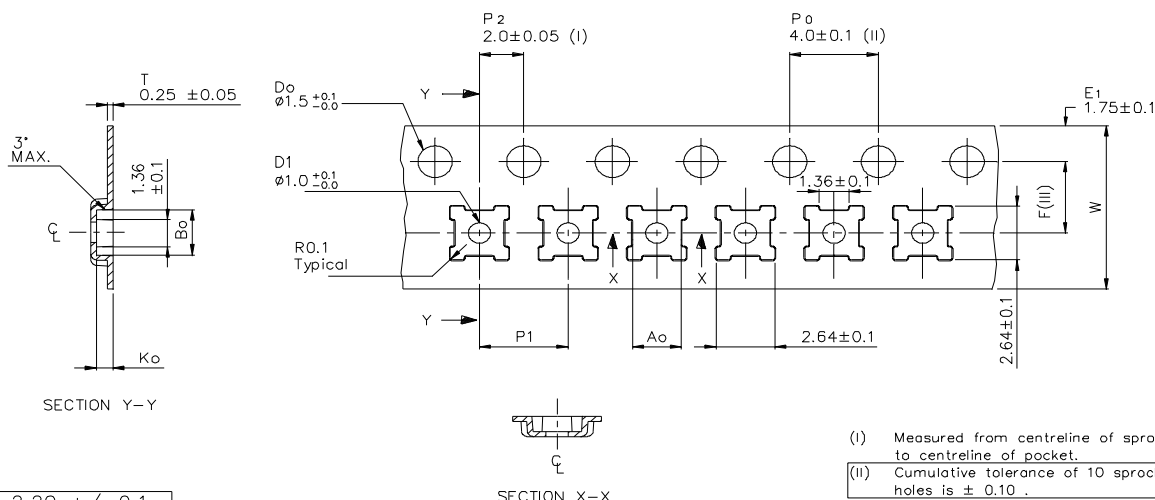


DOC-51207

Marking Spec Symbol	Package Marking	Definition
PP	DS	Part number code for PE613050
ZZ	00–ZZ	Last two characters of lot code
Y	0–9	Last digit of year, starting from 2009 (0 for 2010, 1 for 2011, etc.)
WW	01–53	Work week

Note: (PP), the package marking specific to the PE613050, is shown in the figure instead of the standard Peregrine package marking symbol (P).

Figure 9. Tape and Reel Specifications



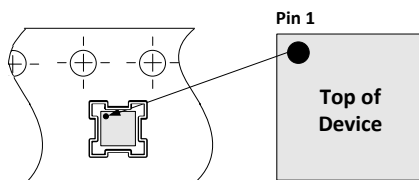
Ao	2.20 +/−0.1
Bo	2.20 +/−0.1
Ko	0.75 +/−0.1
F	3.50 +/−0.05
P1	4.00 +/−0.1
W	8.00 +/−0.3

- (I) Measured from centreline of sprocket hole to centreline of pocket.
- (II) Cumulative tolerance of 10 sprocket holes is ± 0.10.
- (III) Measured from centreline of sprocket hole to centreline of pocket.
- (IV) Other material available.

This part shall not contain any banned substance as Sony standard SS-00259

ALL DIMENSIONS IN MILLIMETRES UNLESS OTHERWISE STATED.

-----> Tape Feed Direction ----->



Device Orientation in Tape

Table 8. Ordering Information

Order Code	Package	Description	Shipping Method
PE613050A-Z	12-lead QFN 2 × 2 × 0.50 mm	Package Part in Tape and Reel	3,000 units / T&R
EK613050-01	Evaluation Kit	Evaluation Kit	1 set / box

Sales and Contact Information

For sales and contact information please visit [www.psemi.com](http://www.psemi.com).

**Advance Information:** The product is in a formative or design stage. The datasheet contains design target specifications for product development. Specifications and features may change in any manner without notice.  
**Preliminary Specification:** The datasheet contains preliminary data. Additional data may be added at a later date. Peregrine reserves the right to change specifications at any time without notice in order to supply the best possible product.  
**Product Specification:** The datasheet contains final data. In the event Peregrine decides to change the specifications, Peregrine will notify customers of the intended changes by issuing a CNF (Customer Notification Form).  
 The information in this datasheet is believed to be reliable. However, Peregrine assumes no liability for the use of this information. Use shall be entirely at the user's own risk.

No patent rights or licenses to any circuits described in this datasheet are implied or granted to any third party. Peregrine's products are not designed or intended for use in devices or systems intended for surgical implant, or in other applications intended to support or sustain life, or in any application in which the failure of the Peregrine product could create a situation in which personal injury or death might occur. Peregrine assumes no liability for damages, including consequential or incidental damages, arising out of the use of its products in such applications.  
 The Peregrine name, logo, UTSi and UltraCMOS are registered trademarks and HaRP, MultiSwitch and DuNE are trademarks of Peregrine Semiconductor Corp. Peregrine products are protected under one or more of the following U.S. Patents: <http://patents.psemi.com>.



**Document Categories****Advance Information**

The product is in a formative or design stage. The datasheet contains design target specifications for product development. Specifications and features may change in any manner without notice.

**Preliminary Specification**

The datasheet contains preliminary data. Additional data may be added at a later date. pSemi reserves the right to change specifications at any time without notice in order to supply the best possible product.

**Product Specification**

The datasheet contains final data. In the event pSemi decides to change the specifications, pSemi will notify customers of the intended changes by issuing a CNF (Customer Notification Form).

**Sales Contact**

For additional information, contact Sales at [sales@psemi.com](mailto:sales@psemi.com).

**Disclaimers**

The information in this document is believed to be reliable. However, pSemi assumes no liability for the use of this information. Use shall be entirely at the user's own risk. No patent rights or licenses to any circuits described in this document are implied or granted to any third party. pSemi's products are not designed or intended for use in devices or systems intended for surgical implant, or in other applications intended to support or sustain life, or in any application in which the failure of the pSemi product could create a situation in which personal injury or death might occur. pSemi assumes no liability for damages, including consequential or incidental damages, arising out of the use of its products in such applications.

**Patent Statement**

pSemi products are protected under one or more of the following U.S. patents: [patents.psemi.com](http://patents.psemi.com)

**Copyright and Trademark**

©2018, pSemi Corporation, a Murata company. All rights reserved. The Peregrine Semiconductor name, Peregrine Semiconductor logo and UltraCMOS are registered trademarks and the pSemi name, pSemi logo, HaRP and DuNE are trademarks of pSemi Corporation in the U.S. and other countries.