

## LC Filters for High Definition TV and VCR Equipment

◀ BACK

### 4FFQS



Location of terminals and numbering may differ depending on the part number.

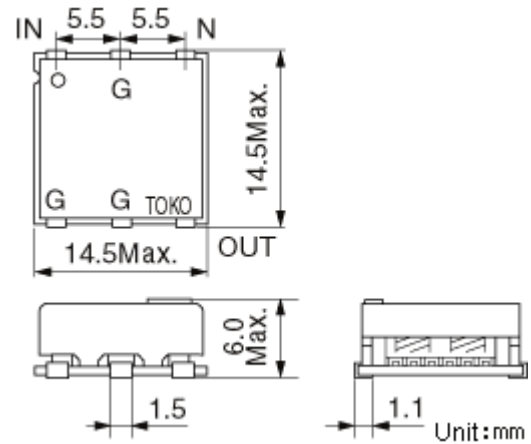
### Features

- Video L/C filters suitable for automatic surface mounting
- Low profile structure with case
- Can be supplied in trays or taped
- No adjustment required (tuned at time of shipment from factory)

### Applications

- VTR, Pro-use camera,

### Dimensions



### Specifications

TOKO Part No.	Characteristics	Impec
T690BD-0206	7MHz LPF	
690BD-0055	8.15MHz LPF	
T690BD-0205	15MHz LPF	
T690BD-0200	30MHz LPF	
T690BD-0127	18ns. DL	
T690BD-0169	20ns. DL	
T690BD-0128	21ns. DL	