

74LVC169

Presettable synchronous 4-bit up/down binary counter

Rev. 05 — 8 June 2009

Product data sheet

1. General description

The 74LVC169 is a synchronous presettable 4-bit binary counter which features an internal look-ahead carry circuitry for cascading in high-speed counting applications. Synchronous operation is provided by having all flip-flops clocked simultaneously so that the outputs (pins Q0 to Q3) change simultaneously with each other when so instructed by the count-enable (pins \overline{CEP} and \overline{CET}) inputs and internal gating. This mode of operation eliminates the output counting spikes that are normally associated with asynchronous (ripple clock) counters. A buffered clock (pin CP) input triggers the four flip-flops on the LOW-to-HIGH transition of the clock.

The counter is fully programmable; that is, the outputs may be preset to any number between 0 and its maximum count. Presetting is synchronous with the clock and takes place regardless of the levels of the count enable inputs. A LOW level on the parallel enable (pin \overline{PE}) input disables the counter and causes the data at the Dn input to be loaded into the counter on the next LOW-to-HIGH transition of the clock. The direction of the counting is controlled by the up/down (pin U/\overline{D}) input. When pin U/\overline{D} is HIGH, the counter counts up, when LOW, it counts down.

The look-ahead carry circuitry is provided for cascading counters for n-bit synchronous applications without additional gating. Instrumental in accomplishing this function are two count-enable (pins \overline{CEP} and \overline{CET}) inputs and a terminal count (pin \overline{TC}) output. Both count-enable (pins \overline{CEP} and \overline{CET}) inputs must be LOW to count. Input pin \overline{CET} is fed forward to enable the terminal count (pin \overline{TC}) output. Pin \overline{TC} thus enabled will produce a LOW-level output pulse with a duration approximately equal to a HIGH level portion of pin Q0 output. The LOW level pin \overline{TC} pulse is used to enable successive cascaded stages.

The 74LVC169 uses edge triggered J-K type flip-flops and has no constraints on changing the control of data input signals in either state of the clock. The only requirement is that the various inputs attain the desired state at least a set-up time before the next LOW-to-HIGH transition of the clock and remain valid for the recommended hold time thereafter.

The parallel load operation takes precedence over the other operations, as indicated in the mode select table. When pin \overline{PE} is LOW, the data on the input pins D0 to D3 enters the flip-flops on the next LOW-to-HIGH transition of the clock.

In order for counting to occur, both pins \overline{CEP} and \overline{CET} must be LOW and pin \overline{PE} must be HIGH. The pin U/\overline{D} input determines the direction of the counting. The terminal count output pin \overline{TC} output is normally HIGH and goes LOW, provided that pin \overline{CET} is LOW, when a counter reaches 15 in the count up mode. The pin \overline{TC} output state is not a function of the count-enable parallel (pin \overline{CEP}) input level. Since pin \overline{TC} signal is derived by decoding the flip-flop states, there exists the possibility of decoding spikes on pin \overline{TC} . For this reason the use of pin \overline{TC} as a clock signal is not recommended; see the following logic equations:

$$\text{count enable} = \overline{CEP} \cdot \overline{CET} \cdot \overline{PE}$$

$$\text{count up: TC} = Q3 \cdot Q2 \cdot Q1 \cdot Q0 \cdot CET \cdot U/\overline{D}$$

$$\text{count down: TC} = \overline{Q3} \cdot \overline{Q2} \cdot \overline{Q1} \cdot \overline{Q0} \cdot CET \cdot \overline{U}/D$$

2. Features

- 5 V tolerant inputs for interfacing with 5 V logic
- Wide supply voltage range from 1.2 V to 3.6 V
- CMOS low power consumption
- Direct interface with TTL levels
- Up/down counting
- Two count enable inputs for n-bit cascading
- Built-in look-ahead carry capability
- Presettable for programmable operation
- Complies with JEDEC standard JESD8-B / JESD36
- ESD protection:
 - ◆ HBM JESD22-A114D exceeds 2000 V
 - ◆ CDM JESD22-C101C exceeds 1000 V
- Multiple package options
- Specified from $-40\text{ }^{\circ}\text{C}$ to $+85\text{ }^{\circ}\text{C}$ and from $-40\text{ }^{\circ}\text{C}$ to $+125\text{ }^{\circ}\text{C}$.

3. Ordering information

Table 1. Ordering information

Type number	Temperature range	Package		
		Name	Description	Version
74LVC169D	$-40\text{ }^{\circ}\text{C}$ to $+125\text{ }^{\circ}\text{C}$	SO16	plastic small outline package; 16 leads; body width 3.9 mm	SOT109-1
74LVC169DB	$-40\text{ }^{\circ}\text{C}$ to $+125\text{ }^{\circ}\text{C}$	SSOP16	plastic shrink small outline package; 16 leads; body width 5.3 mm	SOT338-1
74LVC169PW	$-40\text{ }^{\circ}\text{C}$ to $+125\text{ }^{\circ}\text{C}$	TSSOP16	plastic thin shrink small outline package; 16 leads; body width 4.4 mm	SOT403-1
74LVC169BQ	$-40\text{ }^{\circ}\text{C}$ to $+125\text{ }^{\circ}\text{C}$	DHVQFN16	plastic dual in-line compatible thermal enhanced very thin quad flat package; no leads; 16 terminals; body $2.5 \times 3.5 \times 0.85\text{ mm}$	SOT763-1

4. Functional diagram

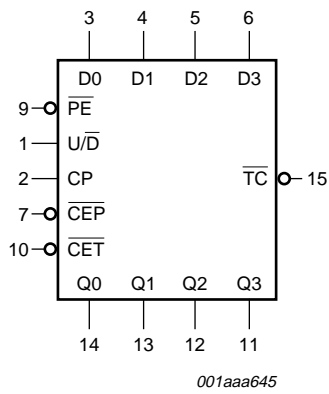


Fig 1. Logic symbol

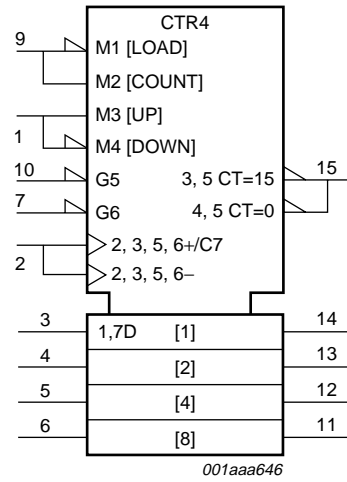
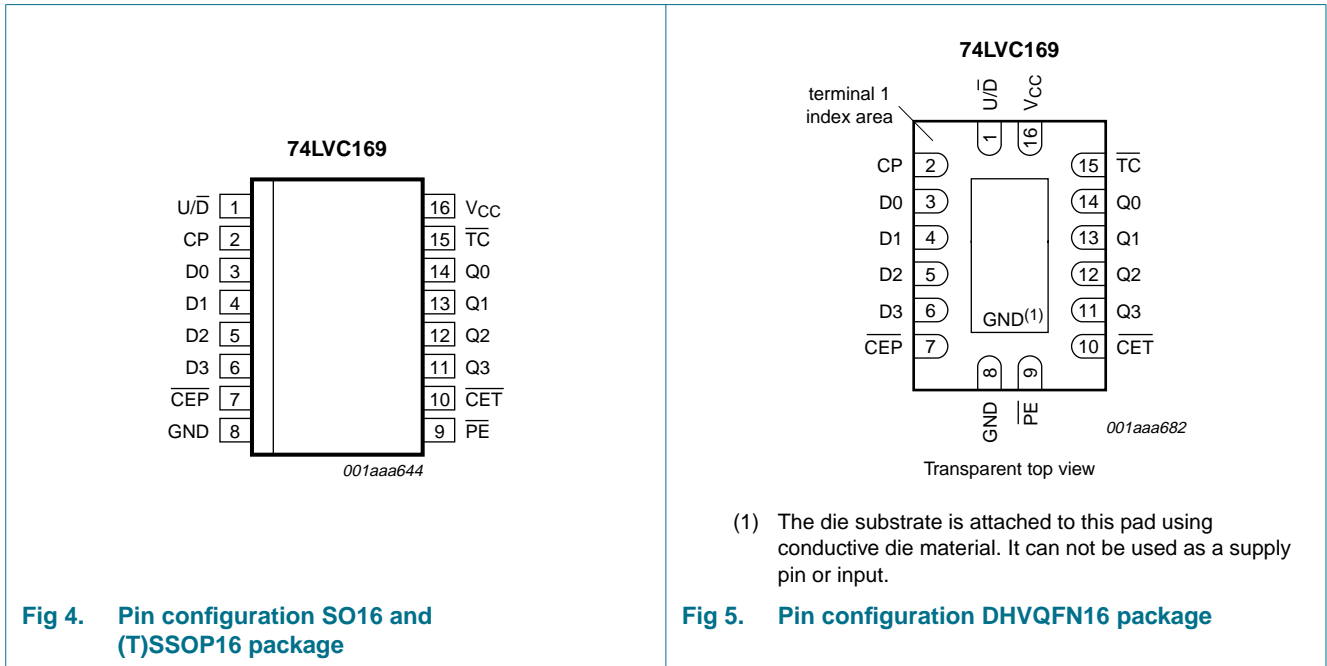


Fig 2. IEC logic symbol

5. Pinning information

5.1 Pinning



5.2 Pin description

Table 2. Pin description

Symbol	Pin	Description
U/D	1	up/down control input
CP	2	clock input (LOW-to-HIGH, edge-triggered)
D0 to D3	3, 4, 5, 6	data input
CEP	7	count enable input (active LOW)
GND	8	ground (0 V)
PE	9	parallel enable input (active LOW)
CET	10	count enable carry input (active LOW)
Q0 to Q3	14, 13, 12, 11	flip-flop output
TC	15	terminal count output (active LOW)
VCC	16	supply voltage

6. Functional description

Table 3. Function table^[1]

Operating modes	Input						Output	
	CP	U/D	CEP	CET	PE	Dn	Qn	TC
Parallel load (Dn to Qn)	↑	X	X	X	l	l	L	*
	↑	X	X	X	l	h	H	*
Count up (increment)	↑	h	l	l	h	X	count up	*
Count down (decrement)	↑	l	l	l	h	X	count down	*
Hold (do nothing)	↑	X	h	X	h	X	qn	*
	↑	X	X	X	h	X	qn	H

- [1] H = HIGH voltage level steady state
 h = HIGH voltage level one set-up time prior to the LOW-to-HIGH clock transition
 L = LOW voltage level steady state
 l = LOW voltage level one set-up time prior to the LOW-to-HIGH clock transition
 qn = Lower case letters indicate state of referenced output prior to the LOW-to-HIGH clock transition
 X = don't care
 ↑ = LOW-to-HIGH clock transition
 * = The TC is LOW when CET is LOW and the counter is at terminal count
 Terminal count up is (HHHH) and terminal count down is (LLLL)

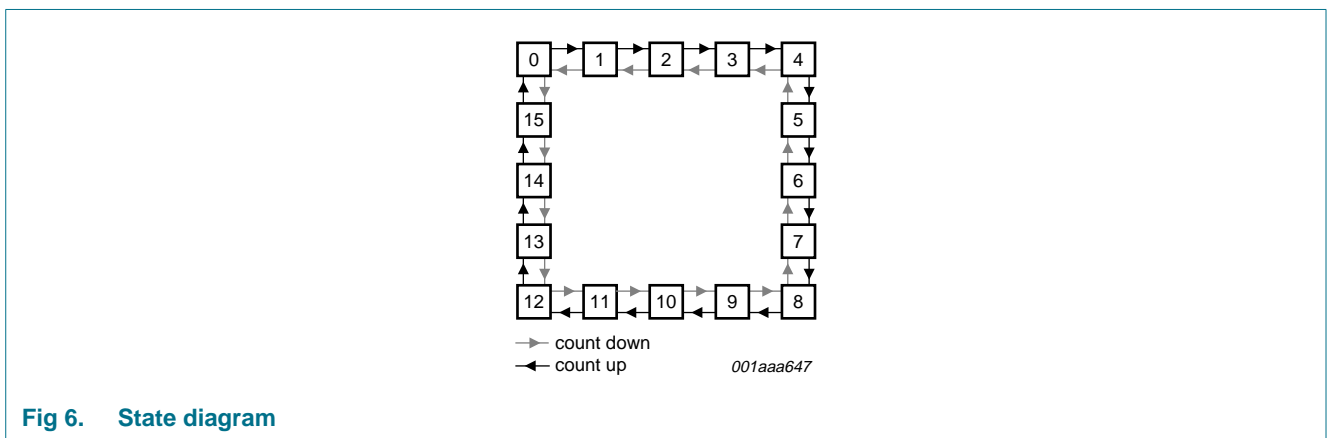
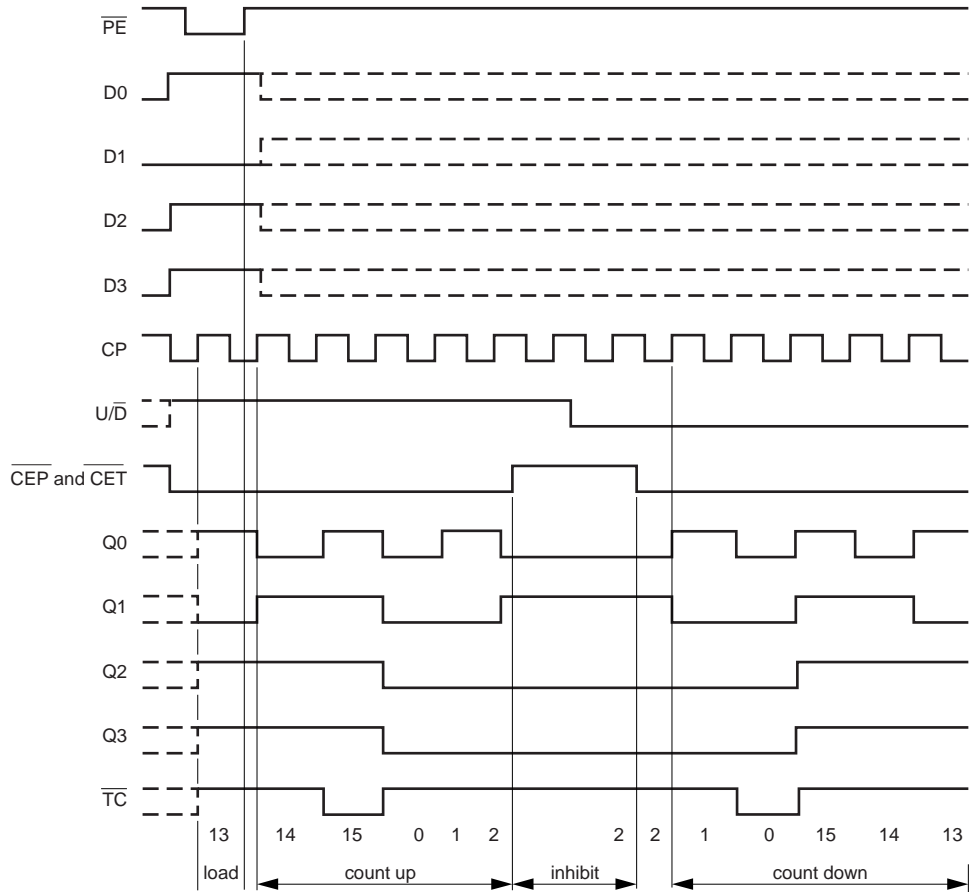


Fig 6. State diagram



001aaa648

The following sequence is illustrated:

- Load (preset) to thirteen.
- Count up to fourteen, fifteen (maximum), zero, one and two.
- Inhibit.
- Countdown to one, zero (minimum), fifteen, fourteen and thirteen.

Fig 7. Typical timing sequence

7. Limiting values

Table 4. Limiting values

In accordance with the Absolute Maximum Rating System (IEC 60134). Voltages are referenced to GND (ground = 0 V).

Symbol	Parameter	Conditions	Min	Max	Unit
V_{CC}	supply voltage		-0.5	+6.5	V
I_{IK}	input clamping current	$V_I < 0$ V	-50	-	mA
V_I	input voltage		[1] -0.5	+5.5	V
I_{OK}	output clamping current	$V_O > V_{CC}$ or $V_O < 0$ V	-	± 50	mA
V_O	output voltage		[1] -0.5	$V_{CC} + 0.5$	V
I_O	output current		-	± 50	mA
I_{CC}	supply current		-	100	mA
I_{GND}	ground current		-100	-	mA
T_{stg}	storage temperature		-65	+150	°C
P_{tot}	total power dissipation	$T_{amb} = -40$ °C to +125 °C	[2] -	500	mW

[1] The minimum input voltage ratings may be exceeded if the input current ratings are observed.

[2] The output voltage ratings may be exceeded if the output current ratings are observed.

[3] For SO16 packages: above 70 °C, P_{tot} derates linearly with 8 mW/K.

For (T)SSOP16 packages: above 60 °C, P_{tot} derates linearly with 5.5 mW/K.

For DHVQFN16 packages: above 60 °C, P_{tot} derates linearly with 4.5 mW/K.

8. Recommended operating conditions

Table 5. Recommended operating conditions

Symbol	Parameter	Conditions	Min	Typ	Max	Unit
V_{CC}	supply voltage	for maximum speed performance	2.7	-	3.6	V
		for low-voltage applications	1.2	-	3.6	V
V_I	input voltage		0	-	5.5	V
V_O	output voltage		0	-	V_{CC}	V
T_{amb}	ambient temperature	in free air	-40	-	+125	°C
$\Delta t/\Delta V$	input transition rise and fall rate	$V_{CC} = 1.2$ V to 2.7 V	0	-	20	ns/V
		$V_{CC} = 2.7$ V to 3.6 V	0	-	10	ns/V

9. Static characteristics

Table 6. Static characteristics

At recommended operating conditions. Voltages are referenced to GND (ground = 0 V).

Symbol	Parameter	Conditions	-40 °C to +85 °C			-40 °C to +125 °C		Unit
			Min	Typ ^[1]	Max	Min	Max	
V _{IH}	HIGH-level input voltage	V _{CC} = 1.2 V	V _{CC}	-	-	V _{CC}	-	V
		V _{CC} = 2.7 V to 3.6 V	2.0	-	-	2.0	-	V
V _{IL}	LOW-level input voltage	V _{CC} = 1.2 V	-	-	GND	-	GND	V
		V _{CC} = 2.7 V to 3.6 V	-	-	0.8	-	0.8	V
V _{OH}	HIGH-level output voltage	V _I = V _{IH} or V _{IL}						
		I _O = -100 μA; V _{CC} = 2.7 V to 3.6 V	V _{CC} - 0.2	V _{CC}	-	V _{CC} - 0.3	-	V
		I _O = -12 mA; V _{CC} = 2.7 V	2.2	-	-	2.05	-	V
		I _O = -18 mA; V _{CC} = 3.0 V	2.4	-	-	2.25	-	V
V _{OL}	LOW-level output voltage	V _I = V _{IH} or V _{IL}						
		I _O = 100 μA; V _{CC} = 2.7 V to 3.6 V	-	GND	0.2	-	0.3	V
		I _O = 12 mA; V _{CC} = 2.7 V	-	-	0.4	-	0.6	V
		I _O = 24 mA; V _{CC} = 3.0 V	-	-	0.55	-	0.8	V
I _I	input leakage current	V _{CC} = 3.6 V; V _I = 5.5 V or GND	-	±0.1	±5	-	±20	μA
I _{CC}	supply current	V _{CC} = 3.6 V; V _I = V _{CC} or GND; I _O = 0 A	-	0.1	10	-	40	μA
ΔI _{CC}	additional supply current	per input pin; V _{CC} = 1.65 V to 3.6 V; V _I = V _{CC} - 0.6 V; I _O = 0 A	-	5	500	-	5000	μA
C _I	input capacitance	V _{CC} = 0 V to 3.6 V; V _I = GND to V _{CC}	-	5.0	-	-	-	pF

[1] All typical values are measured at V_{CC} = 3.3 V (unless stated otherwise) and T_{amb} = 25 °C.

10. Dynamic characteristics

Table 7. Dynamic characteristics

Voltages are referenced to GND (ground = 0 V). For test circuit see [Figure 13](#).

Symbol	Parameter	Conditions	-40 °C to +85 °C			-40 °C to +125 °C		Unit
			Min	Typ ^[1]	Max	Min	Max	
t _{pd}	propagation delay	CP to Qn; see Figure 8 ^[2]						
		V _{CC} = 1.2 V	-	17	-	-	-	ns
		V _{CC} = 2.7 V	1.5	-	7.2	1.5	9.0	ns
		V _{CC} = 3.0 V to 3.6 V	1.5	4.0	6.6	1.5	8.5	ns
		CP to \overline{TC} ; see Figure 8 ^[2]						
		V _{CC} = 1.2 V	-	21	-	-	-	ns
		V _{CC} = 2.7 V	1.5	-	8.8	1.5	11.0	ns
		V _{CC} = 3.0 V to 3.6 V	1.5	4.8	7.5	1.5	9.5	ns
		CET to \overline{TC} ; see Figure 9 ^[2]						
		V _{CC} = 1.2 V	-	19	-	-	-	ns
		V _{CC} = 2.7 V	1.5	-	7.2	1.5	9.0	ns
		V _{CC} = 3.0 V to 3.6 V	1.5	4.1	6.2	1.5	8.0	ns
		U/ \overline{D} to \overline{TC} ; see Figure 10 ^[2]						
		V _{CC} = 1.2 V	-	21	-	-	-	ns
		V _{CC} = 2.7 V	1.5	-	8.2	1.5	10.5	ns
V _{CC} = 3.0 V to 3.6 V	1.5	3.7	6.9	1.5	9.0	ns		
t _w	pulse width	CP HIGH or LOW; see Figure 8						
		V _{CC} = 2.7 V	5.0	-	-	5.0	-	ns
		V _{CC} = 3.0 V to 3.6 V	4.0	1.2	-	4.0	-	ns
t _{su}	set-up time	Dn to CP; see Figure 11						
		V _{CC} = 2.7 V	3.0	-	-	3.0	-	ns
		V _{CC} = 3.0 V to 3.6 V	2.5	1.0	-	2.5	-	ns
		\overline{PE} to CP; see Figure 11						
		V _{CC} = 2.7 V	3.5	-	-	3.5	-	ns
		V _{CC} = 3.0 V to 3.6 V	3.0	1.2	-	3.0	-	ns
		U/ \overline{D} to CP; see Figure 12						
		V _{CC} = 2.7 V	6.5	-	-	6.5	-	ns
		V _{CC} = 3.0 V to 3.6 V	5.5	2.8	-	5.5	-	ns
		CET, \overline{CET} to CP; see Figure 12						
		V _{CC} = 2.7 V	5.5	-	-	5.5	-	ns
		V _{CC} = 3.0 V to 3.6 V	4.5	2.1	-	4.5	-	ns
t _h	hold time	Dn, \overline{PE} , \overline{CET} , U/ \overline{D} to CP; see Figure 11 and 12						
		V _{CC} = 2.7 V	0.0	-	-	0.0	-	ns
		V _{CC} = 3.0 V to 3.6 V	0.5	0.0	-	0.5	-	ns

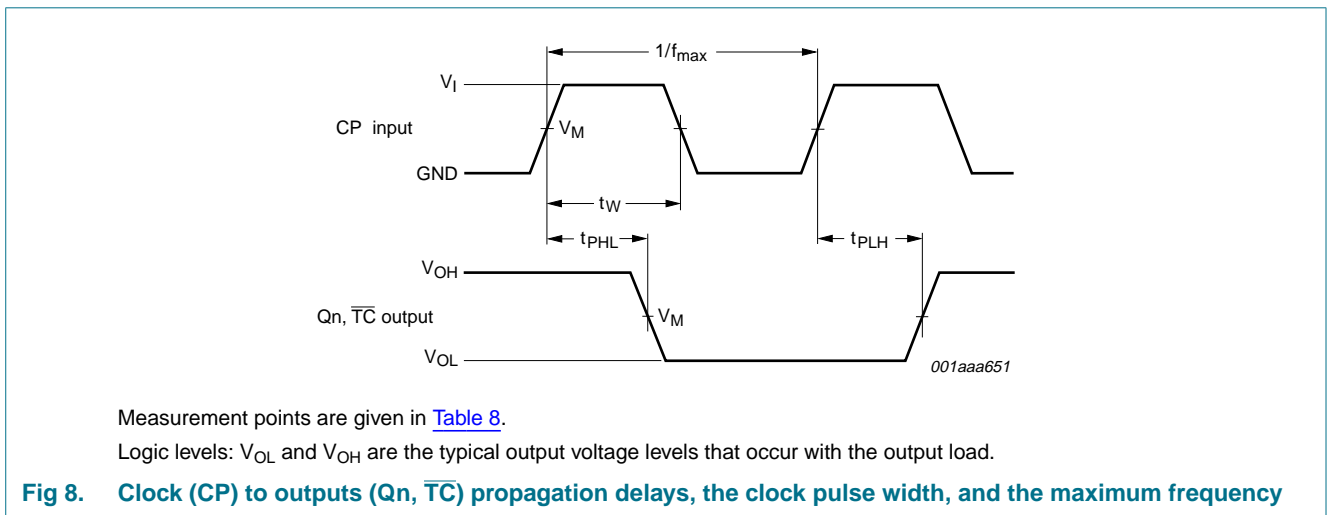
Table 7. Dynamic characteristics ...continued

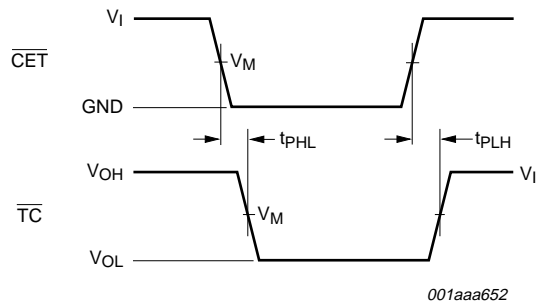
Voltages are referenced to GND (ground = 0 V). For test circuit see [Figure 13](#).

Symbol	Parameter	Conditions	-40 °C to +85 °C			-40 °C to +125 °C		Unit	
			Min	Typ ^[1]	Max	Min	Max		
f _{max}	maximum frequency	see Figure 8							
		V _{CC} = 2.7 V	150	-	-	150	-	MHz	
		V _{CC} = 3.0 V to 3.6 V	150	200	-	150	-	MHz	
t _{sk(0)}	output skew time	V _{CC} = 3.0 V to 3.6 V	[3]	-	-	1.0	-	1.5	ns
C _{PD}	power dissipation capacitance	per input pin; V _I = GND to V _{CC}	[4]						
		V _{CC} = 3.0 V to 3.6 V	-	20	-	-	-	-	pF

- [1] Typical values are measured at T_{amb} = 25 °C and V_{CC} = 1.2 V, 1.8 V, 2.5 V, 2.7 V, and 3.3 V respectively.
- [2] t_{pd} is the same as t_{PLH} and t_{PHL}.
- [3] Skew between any two outputs of the same package switching in the same direction. This parameter is guaranteed by design.
- [4] C_{PD} is used to determine the dynamic power dissipation (P_D in μW).
 $P_D = C_{PD} \times V_{CC}^2 \times f_i \times N + \sum(C_L \times V_{CC}^2 \times f_o)$ where:
 f_i = input frequency in MHz; f_o = output frequency in MHz
 C_L = output load capacitance in pF
 V_{CC} = supply voltage in V
 N = number of inputs switching
 $\sum(C_L \times V_{CC}^2 \times f_o)$ = sum of outputs

11. Waveforms

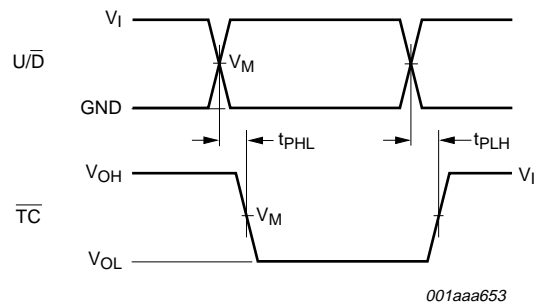




Measurement points are given in [Table 8](#).

Logic levels: V_{OL} and V_{OH} are the typical output voltage levels that occur with the output load.

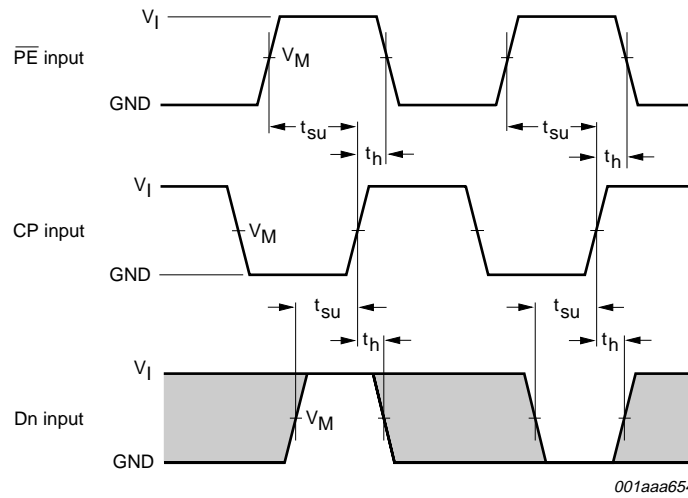
Fig 9. Input (\overline{CET}) to output (\overline{TC}) propagation delays



Measurement points are given in [Table 8](#).

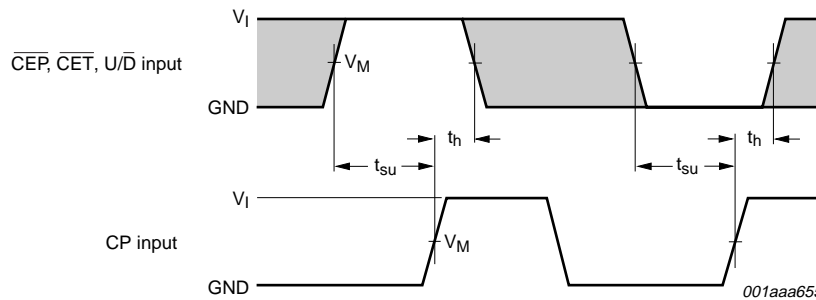
Logic levels: V_{OL} and V_{OH} are the typical output voltage levels that occur with the output load.

Fig 10. The up/down control input (U/\overline{D}) to output (\overline{TC}) propagation delays



The shaded areas indicate when the input is permitted to change for predictable output performance. Measurement points are given in [Table 8](#). Logic levels: V_{OL} and V_{OH} are the typical output voltage levels that occur with the output load.

Fig 11. Set-up and hold times for the input (Dn) and parallel enable input (PE)

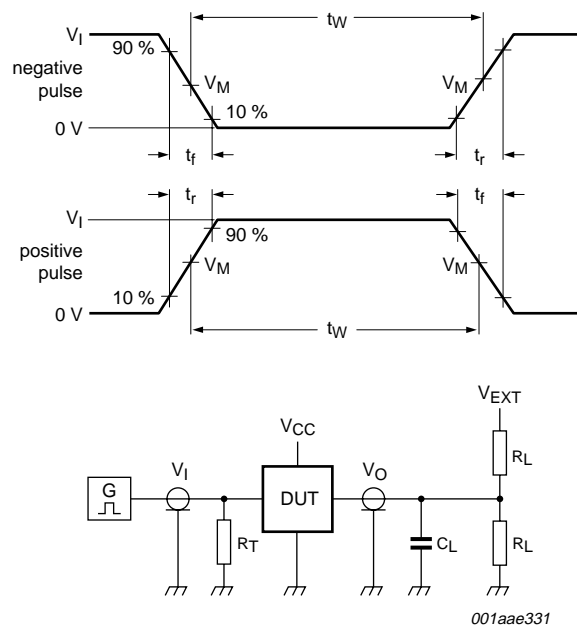


The shaded areas indicate when the input is permitted to change for predictable output performance. Measurement points are given in [Table 8](#). Logic levels: V_{OL} and V_{OH} are the typical output voltage levels that occur with the output load.

Fig 12. Set-up and hold times for count enable inputs (CEP and CET) and control input (U/D)

Table 8. Measurement points

Supply voltage	Input	Output
V _{CC}	V _M	V _M
1.2 V	0.5V _{CC}	0.5V _{CC}
2.7 V	1.5 V	1.5 V
3.0 V to 3.6 V	1.5 V	1.5 V



Test data is given in [Table 9](#).

Definitions for test circuit:

C_L = Load capacitance including jig and probe capacitance.

R_L = Load resistance

R_T = Termination resistance should be equal to output impedance Z_o of the pulse generator.

Fig 13. Test circuit for measuring switching times

Table 9. Test data

Supply voltage	Input		Load		S1 position
	V_I	t_r, t_f	C_L	R_L	$t_{PLH}: t_{PHL}$
1.2 V	V_{CC}	≤ 2.0 ns	30 pF	500 Ω ^[1]	open
2.7 V	2.7 V	≤ 2.5 ns	50 pF	500 Ω	open
3.0 V to 3.6 V	2.7 V	≤ 2.5 ns	50 pF	500 Ω	open

[1] The circuit preforms better when $R_L = 1000$ k Ω .

12. Application information

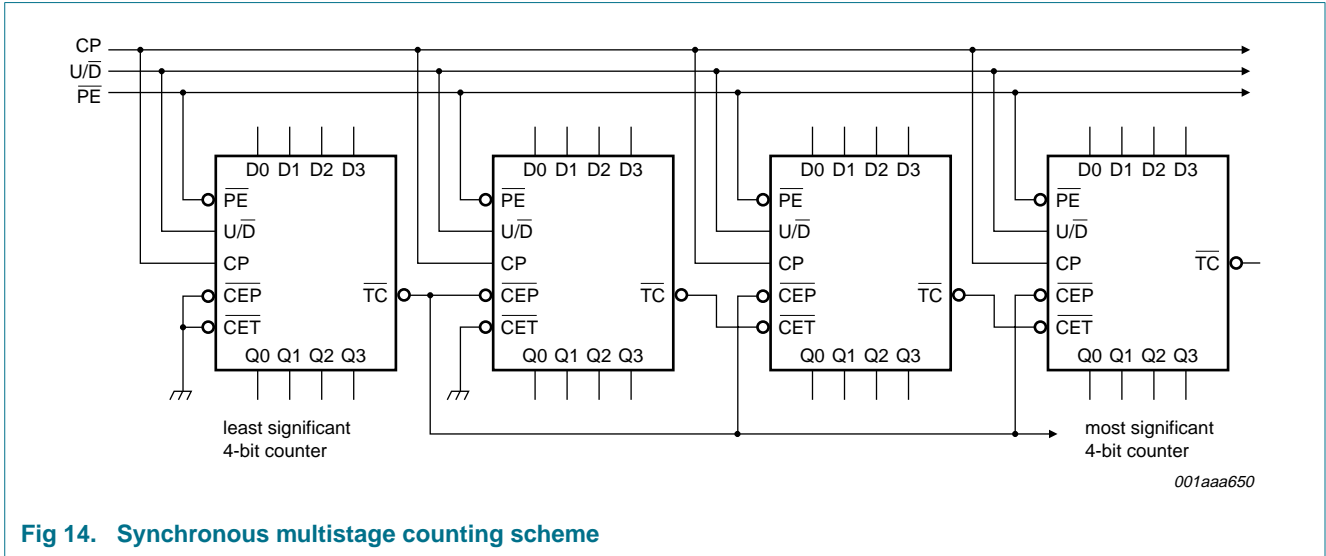


Fig 14. Synchronous multistage counting scheme

13. Package outline

SO16: plastic small outline package; 16 leads; body width 3.9 mm

SOT109-1

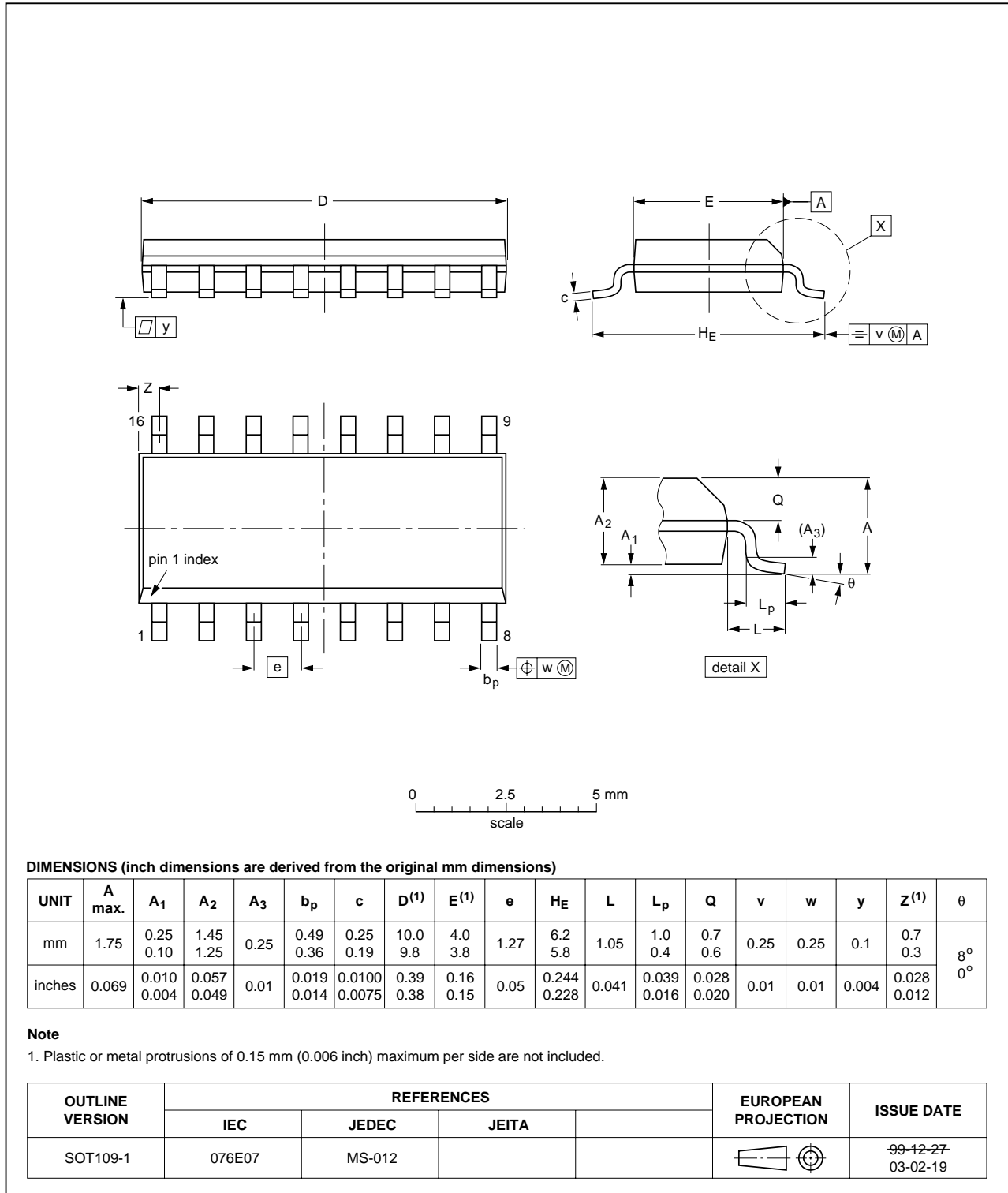


Fig 15. Package outline SOT109-1 (SO16)

SSOP16: plastic shrink small outline package; 16 leads; body width 5.3 mm

SOT338-1

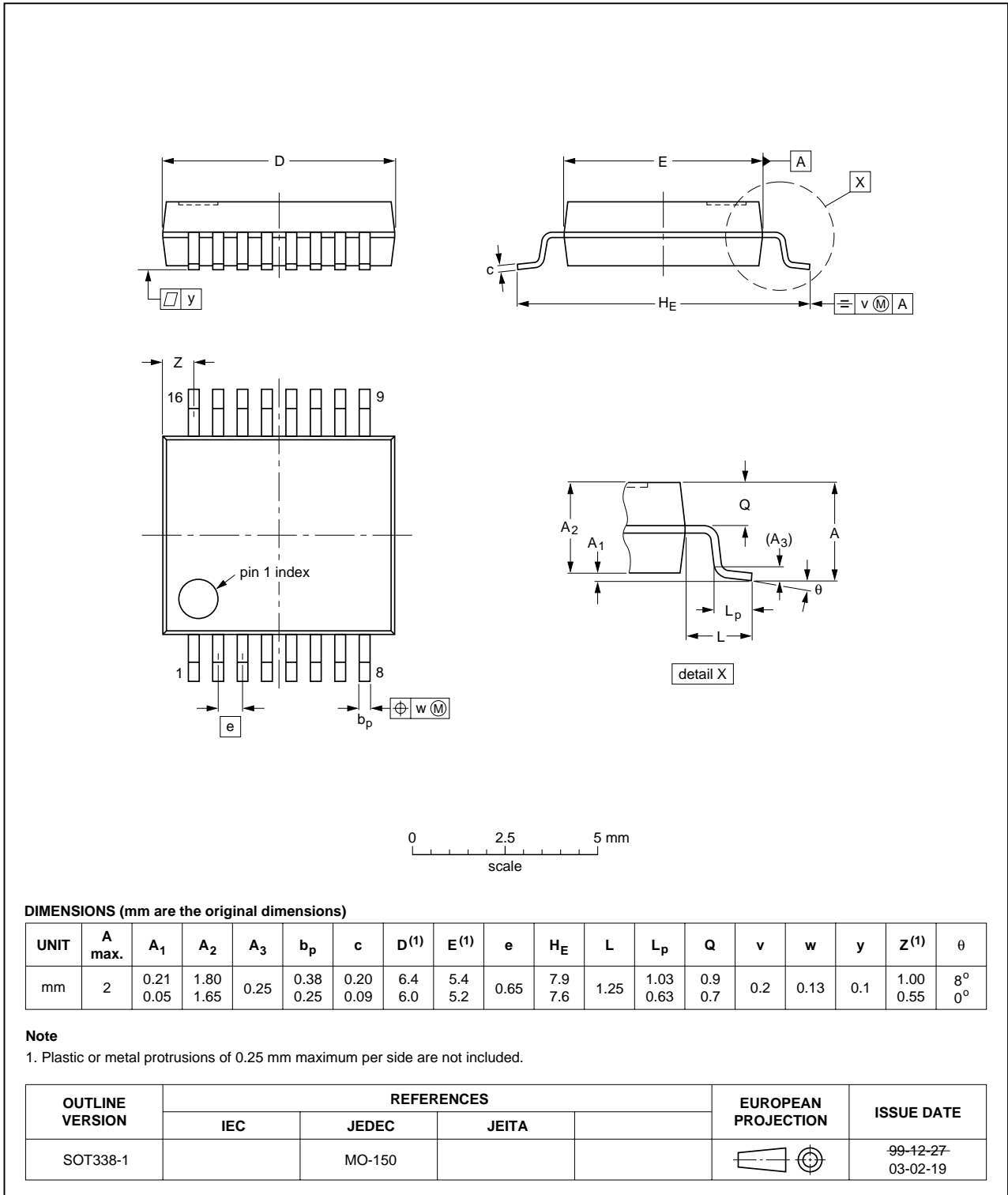


Fig 16. Package outline SOT338-1 (SSOP16)

TSSOP16: plastic thin shrink small outline package; 16 leads; body width 4.4 mm

SOT403-1

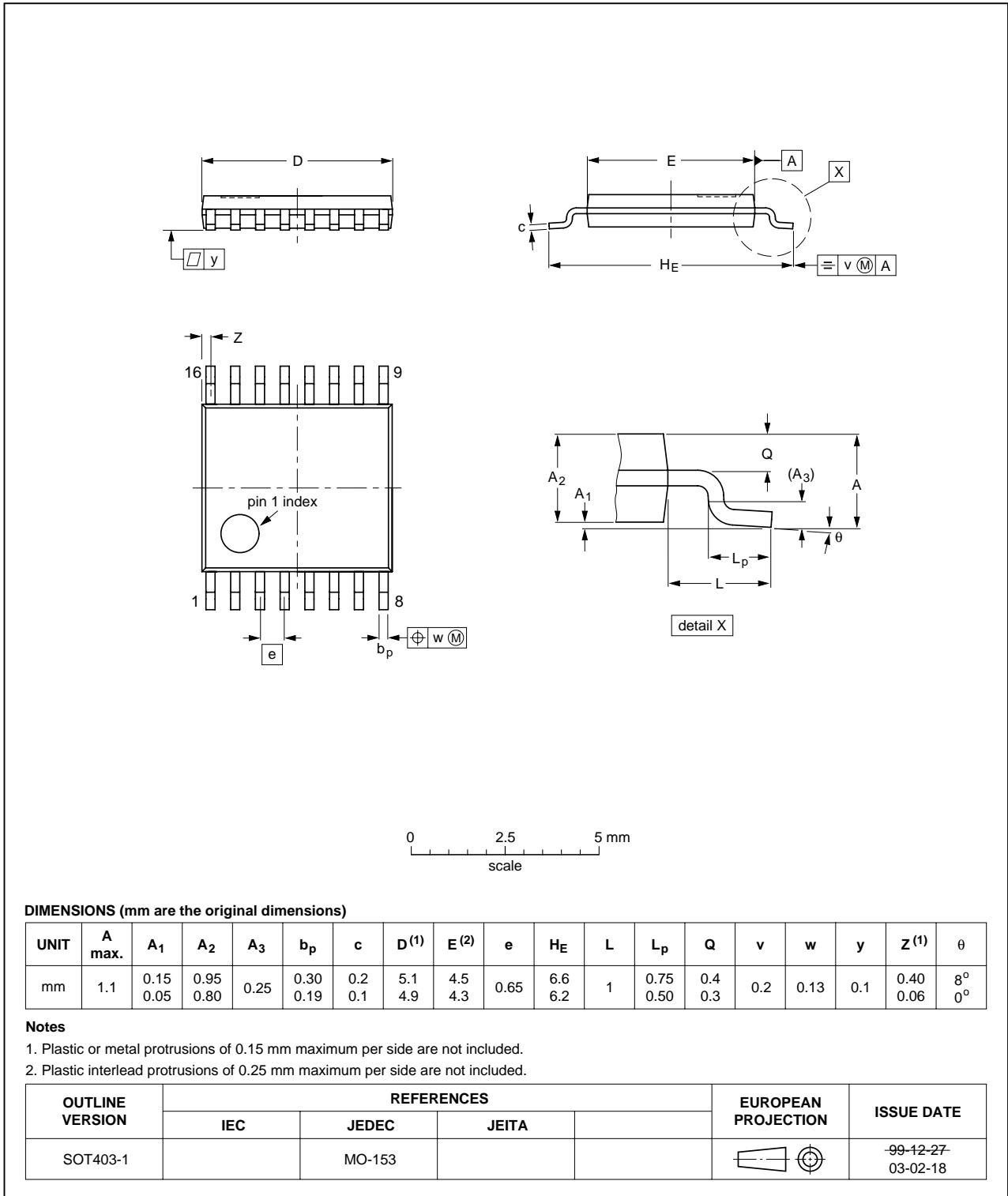


Fig 17. Package outline SOT403-1 (TSSOP16)

DHVQFN16: plastic dual in-line compatible thermal enhanced very thin quad flat package; no leads; 16 terminals; body 2.5 x 3.5 x 0.85 mm

SOT763-1

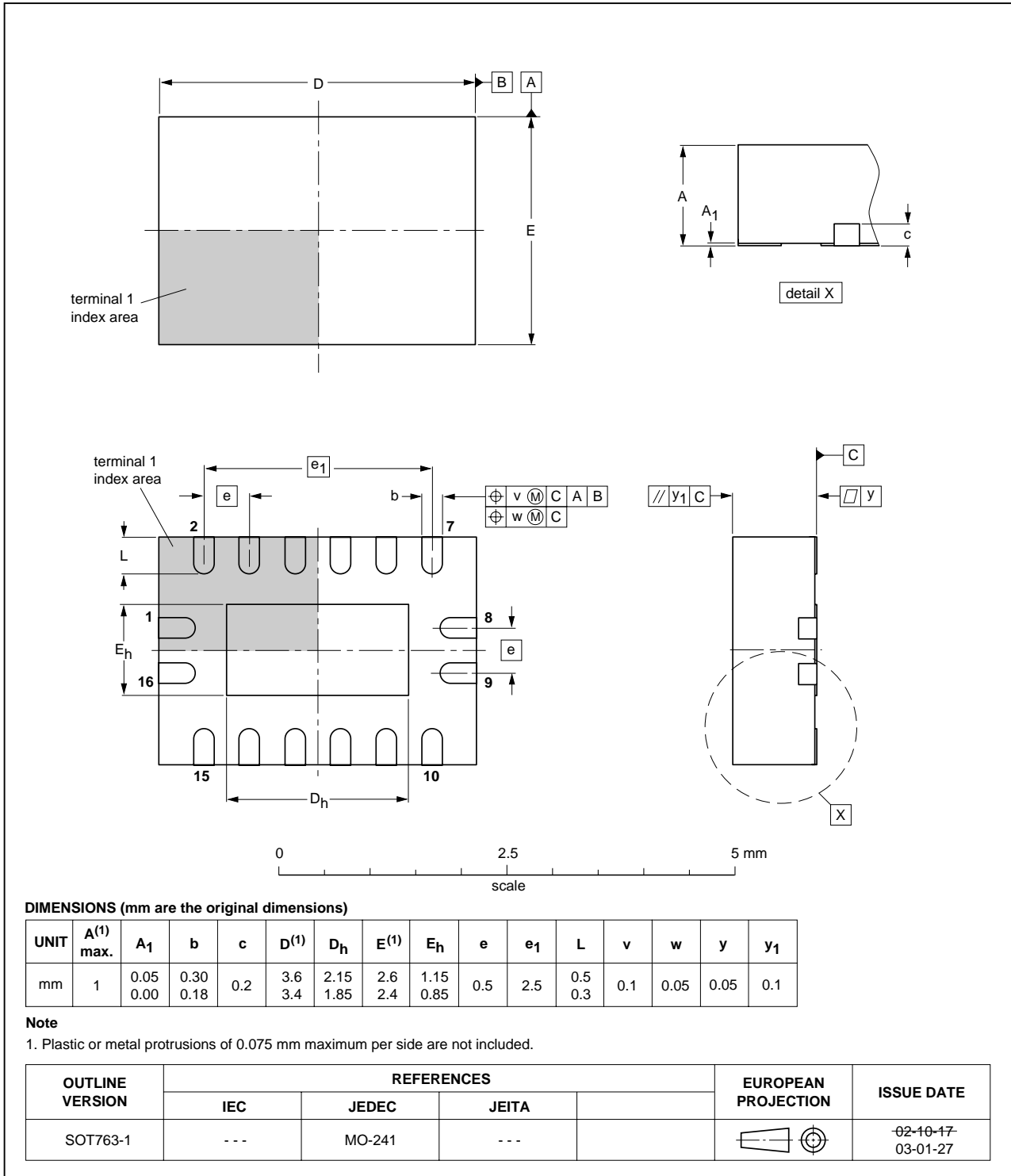


Fig 18. Package outline SOT763-1 (DHVQFN16)

14. Abbreviations

Table 10. Abbreviations

Acronym	Description
CDM	Charged Device Model
DUT	Device Under Test
ESD	ElectroStatic Discharge
HBM	Human Body Model
TTL	Transistor-Transistor Logic

15. Revision history

Table 11. Revision history

Document ID	Release date	Data sheet status	Change notice	Supersedes
74LVC169_5	20090608	Product data sheet	-	74LVC169_4
Modifications:	<ul style="list-style-type: none"> The format of this data sheet has been redesigned to comply with the new identity guidelines of NXP Semiconductors. Legal texts have been updated and adapted to the new company name where appropriate. Table 7 “Dynamic characteristics” 3.0 V to 3.6 V max t_{PLH} and t_{PHL} values changed due to ECN06_058. 			
74LVC169_4	20041014	Product specification	-	74LVC169_3
74LVC169_3	20040512	Product specification	-	74LVC169_2
74LVC169_2	19980520	Product specification	-	74LVC169_1
74LVC169_1	19960823	Product specification	-	-

16. Legal information

16.1 Data sheet status

Document status ^{[1][2]}	Product status ^[3]	Definition
Objective [short] data sheet	Development	This document contains data from the objective specification for product development.
Preliminary [short] data sheet	Qualification	This document contains data from the preliminary specification.
Product [short] data sheet	Production	This document contains the product specification.

[1] Please consult the most recently issued document before initiating or completing a design.

[2] The term 'short data sheet' is explained in section "Definitions".

[3] The product status of device(s) described in this document may have changed since this document was published and may differ in case of multiple devices. The latest product status information is available on the Internet at URL <http://www.nxp.com>.

16.2 Definitions

Draft — The document is a draft version only. The content is still under internal review and subject to formal approval, which may result in modifications or additions. NXP Semiconductors does not give any representations or warranties as to the accuracy or completeness of information included herein and shall have no liability for the consequences of use of such information.

Short data sheet — A short data sheet is an extract from a full data sheet with the same product type number(s) and title. A short data sheet is intended for quick reference only and should not be relied upon to contain detailed and full information. For detailed and full information see the relevant full data sheet, which is available on request via the local NXP Semiconductors sales office. In case of any inconsistency or conflict with the short data sheet, the full data sheet shall prevail.

16.3 Disclaimers

General — Information in this document is believed to be accurate and reliable. However, NXP Semiconductors does not give any representations or warranties, expressed or implied, as to the accuracy or completeness of such information and shall have no liability for the consequences of use of such information.

Right to make changes — NXP Semiconductors reserves the right to make changes to information published in this document, including without limitation specifications and product descriptions, at any time and without notice. This document supersedes and replaces all information supplied prior to the publication hereof.

Suitability for use — NXP Semiconductors products are not designed, authorized or warranted to be suitable for use in medical, military, aircraft, space or life support equipment, nor in applications where failure or malfunction of an NXP Semiconductors product can reasonably be expected to result in personal injury, death or severe property or environmental

damage. NXP Semiconductors accepts no liability for inclusion and/or use of NXP Semiconductors products in such equipment or applications and therefore such inclusion and/or use is at the customer's own risk.

Applications — Applications that are described herein for any of these products are for illustrative purposes only. NXP Semiconductors makes no representation or warranty that such applications will be suitable for the specified use without further testing or modification.

Limiting values — Stress above one or more limiting values (as defined in the Absolute Maximum Ratings System of IEC 60134) may cause permanent damage to the device. Limiting values are stress ratings only and operation of the device at these or any other conditions above those given in the Characteristics sections of this document is not implied. Exposure to limiting values for extended periods may affect device reliability.

Terms and conditions of sale — NXP Semiconductors products are sold subject to the general terms and conditions of commercial sale, as published at <http://www.nxp.com/profile/terms>, including those pertaining to warranty, intellectual property rights infringement and limitation of liability, unless explicitly otherwise agreed to in writing by NXP Semiconductors. In case of any inconsistency or conflict between information in this document and such terms and conditions, the latter will prevail.

No offer to sell or license — Nothing in this document may be interpreted or construed as an offer to sell products that is open for acceptance or the grant, conveyance or implication of any license under any copyrights, patents or other industrial or intellectual property rights.

Export control — This document as well as the item(s) described herein may be subject to export control regulations. Export might require a prior authorization from national authorities.

16.4 Trademarks

Notice: All referenced brands, product names, service names and trademarks are the property of their respective owners.

17. Contact information

For more information, please visit: <http://www.nxp.com>

For sales office addresses, please send an email to: salesaddresses@nxp.com

18. Contents

1 General description 1

2 Features 2

3 Ordering information 2

4 Functional diagram 3

5 Pinning information 5

5.1 Pinning 5

5.2 Pin description 5

6 Functional description 6

7 Limiting values 8

8 Recommended operating conditions 8

9 Static characteristics 9

10 Dynamic characteristics 10

11 Waveforms 11

12 Application information 15

13 Package outline 16

14 Abbreviations 20

15 Revision history 20

16 Legal information 21

16.1 Data sheet status 21

16.2 Definitions 21

16.3 Disclaimers 21

16.4 Trademarks 21

17 Contact information 21

18 Contents 22

Please be aware that important notices concerning this document and the product(s) described herein, have been included in section 'Legal information'.



© NXP B.V. 2009.

All rights reserved.

For more information, please visit: <http://www.nxp.com>

For sales office addresses, please send an email to: salesaddresses@nxp.com

Date of release: 8 June 2009

Document identifier: 74LVC169_5