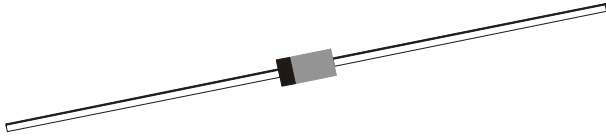


SILICON ZENER DIODES

**1N746 to 1N759
DO-35 400mW**



Hermetically Sealed Glass Package Zener Diodes

ABSOLUTE MAXIMUM RATINGS

DESCRIPTION	SYMBOL	VALUE	UNIT
Zener Voltage	ZV	3.3 to 12	V
D C Power Dissipation	PD	400	mW
Derating Above 50 deg C		3.2	mW/deg C
Operating & Storage Junction Temperature Range	Tj,Tstg	-65 to +175	deg C

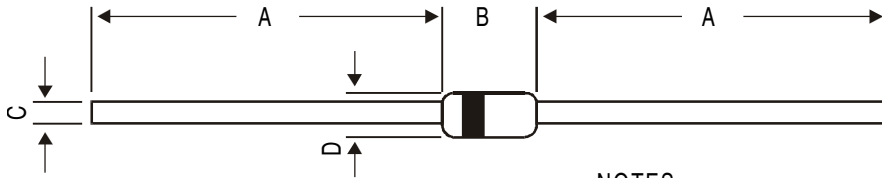
ELECTRICAL CHARACTERISTICS (Ta=25 deg C Unless otherwise Specified , VF <1.5V @ 200mA)

Device Type# (1)	Nominal* Zener Voltage VZ @ IZT (V)	Zener Test Current IZT (mA)	Maximum Zener Impedance Zzt @ IZT (Ohms)	Maximum Reverse Current @ 25 deg C max (uA)	Maximum Reverse Current @ +150 deg C max (uA)	VR (V)	Maximum Zener Current IZM (mA)	Typ Temp Coeff of Zener Voltage *vz (% deg C)
1N746	3.3	20	28	10	30	1.0	110	-0.066
1N747	3.6	20	24	10	30	1.0	100	-0.058
1N748	3.9	20	23	10	30	1.0	95	-0.046
1N749	4.3	20	22	2.0	30	1.0	85	-0.033
1N750	4.7	20	19	2.0	30	1.0	75	-0.015
1N751	5.1	20	17	1.0	20	1.0	70	+0.010
1N752	5.6	20	11	1.0	20	1.0	65	+0.030
1N753	6.2	20	7	0.1	20	1.0	60	+0.049
1N754	6.8	20	5	0.1	20	1.0	55	+0.053
1N755	7.5	20	6	0.1	20	1.0	50	+0.057
1N756	8.2	20	8	0.1	20	1.0	45	+0.060
1N757	9.1	20	10	0.1	20	1.0	40	+0.061
1N758	10	20	17	0.1	20	1.0	35	+0.062
1N759	12	20	30	0.1	20	1.0	30	+0.062

Note(1) :- No Suffix +-10%
Suffix A +- 5%

* Pulse Condition : 20ms <tp 50ms, Duty Cycle<2%

DO-35 Glass Axial Package

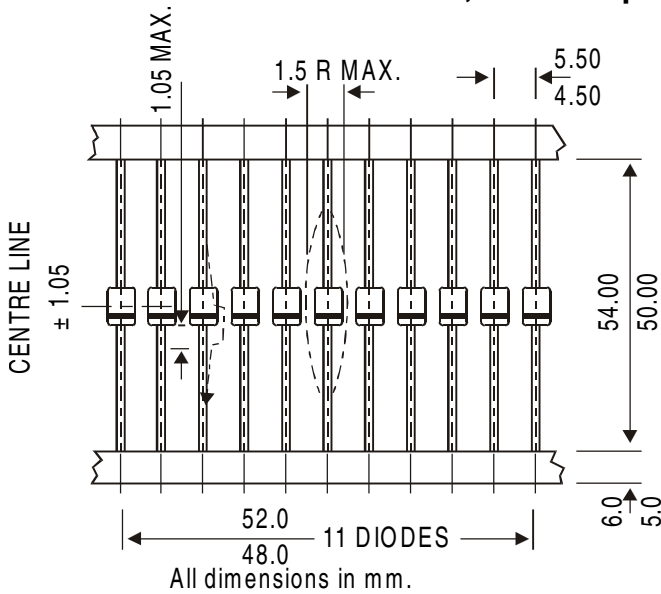


DIM	MIN	MAX
A	25.40	—
B	3.03	4.44
C	0.46	0.56
D	1.52	2.29

NOTES

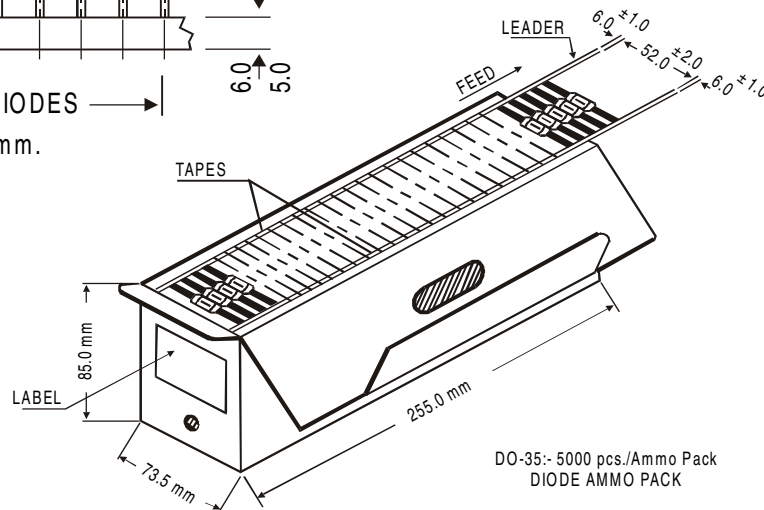
1. Cathode is marked by Band.
2. All dimensions are in mm.

DO-35, 52mm Taping Specification



52 mm Taping Specification

1. T & A indicates Axial Tape & Ammo packing (52 mm Tape Spacing).
2. 300 mm (min) leader tape on every spool.
3. No. of empty places allowed 0.25% without consecutive empty places.
4. Ends of leads shall preferably not protrude beyond the tapes.
5. Components shall be held sufficiently in the tape or tapes so that they can not come free in normal handling.



DO-35:- 5000 pcs./Ammo Pack
DIOLE AMMO PACK

On request also available in 26 mm Tape and Ammo Pack

Packing Detail

PACKAGE	STANDARD PACK		INNER CARTON BOX		OUTER CARTON BOX		
	Details	Net Weight/Qty	Size	Qty	Size	Qty	Gr Wt
DO-35 T&A	5K/ammo box	0.88 kg/5K pcs	10" x 3.5" x 3.5"	5.0K	12.7" x 12.7" x 20"	125.0K	25 kgs

Notes

Disclaimer

The product information and the selection guides facilitate selection of the CDIL's Discrete Semiconductor Device(s) best suited for application in your product(s) as per your requirement. It is recommended that you completely review our Data Sheet(s) so as to confirm that the Device(s) meet functionality parameters for your application. The information furnished on the CDIL Web Site/CD is believed to be accurate and reliable. CDIL however, does not assume responsibility for inaccuracies or incomplete information. Furthermore, CDIL does not assume liability whatsoever, arising out of the application or use of any CDIL product; neither does it convey any license under its patent rights nor rights of others. These products are not designed for use in life saving/support appliances or systems. CDIL customers selling these products (either as individual Discrete Semiconductor Devices or incorporated in their end products), in any life saving/support appliances or systems or applications do so at their own risk and CDIL will not be responsible for any damages resulting from such sale(s).

CDIL strives for continuous improvement and reserves the right to change the specifications of its products without prior notice.



CDIL is a registered Trademark of

Continental Device India Limited

C-120 Naraina Industrial Area, New Delhi 110 028, India.

Telephone + 91-11-2579 6150, 5141 1112 Fax + 91-11-2579 5290, 5141 1119

email@cdil.com www.cdilsemi.com