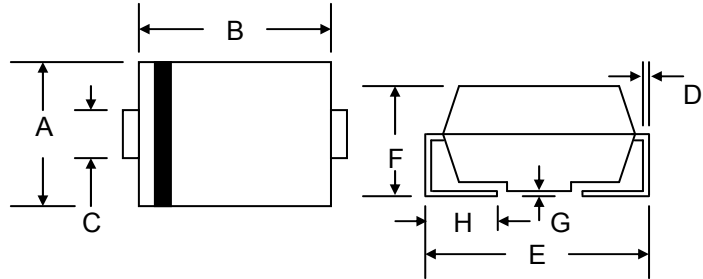


Features

- Glass Passivated Die Construction
- 600W Peak Pulse Power Dissipation
- 5.0V – 440V Standoff Voltage
- Uni- and Bi-Directional Versions Available
- Excellent Clamping Voltage
- Typical Response Time < 1nS
- Plastic Case Material has UL Flammability Classification Rating 94V-0



Mechanical Data

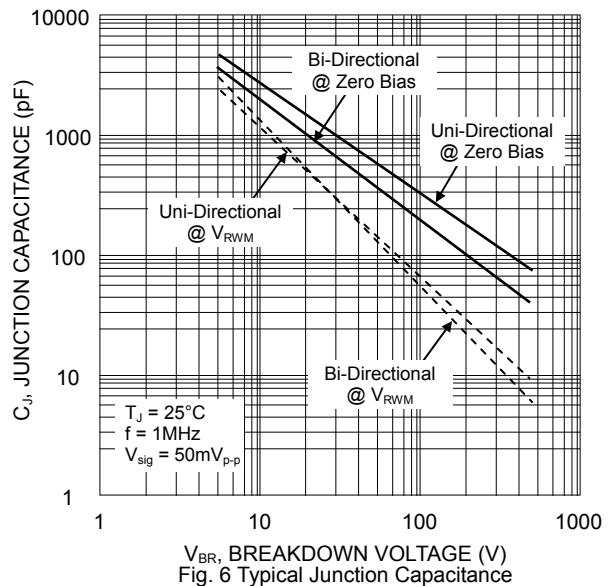
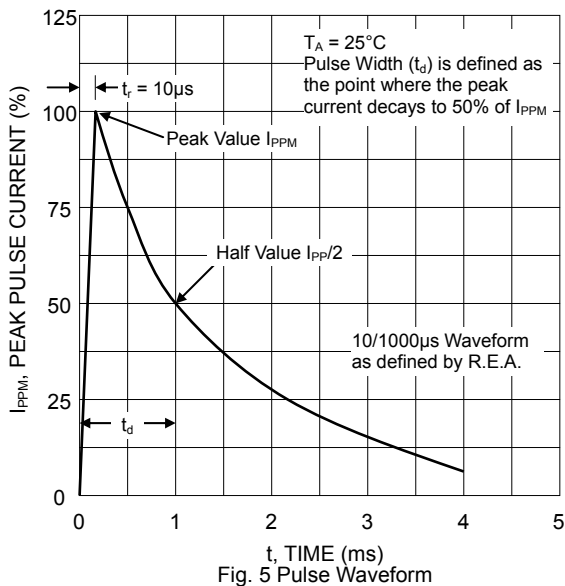
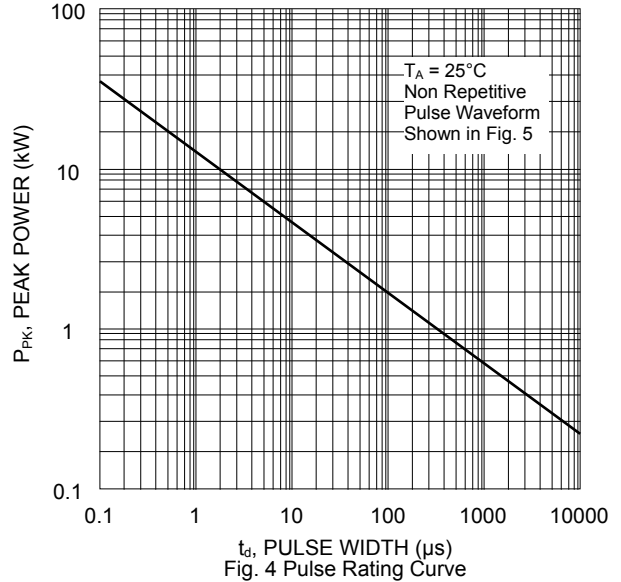
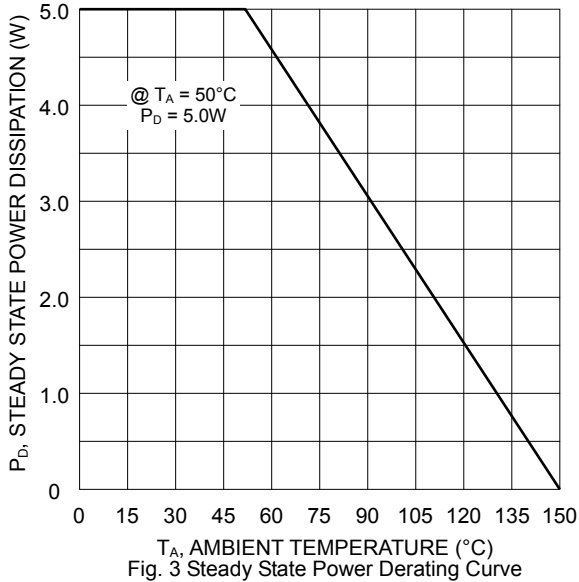
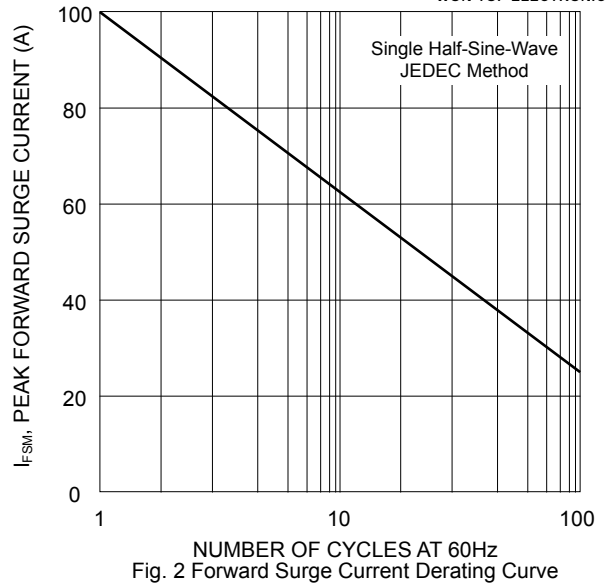
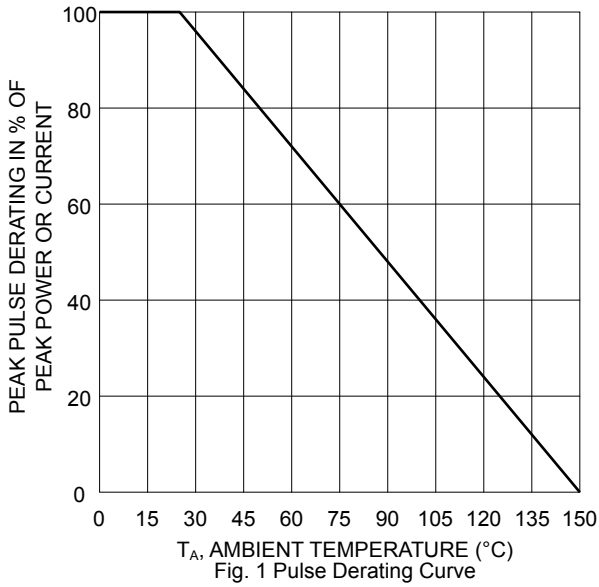
- Case: SMB/DO-214AA, Molded Plastic
- Terminals: Solder Plated, Solderable per MIL-STD-750, Method 2026
- Polarity: Cathode Band Except Bi-Directional
- Marking: Device Code
- Weight: 0.093 grams (approx.)
- **Lead Free: For RoHS / Lead Free Version, Add "-LF" Suffix to Part Number, See Page 6**

SMB/DO-214AA		
Dim	Min	Max
A	3.30	3.94
B	4.06	4.70
C	1.91	2.11
D	0.152	0.305
E	5.08	5.59
F	2.13	2.44
G	0.051	0.203
H	0.76	1.27
All Dimensions in mm		

Maximum Ratings and Electrical Characteristics @ $T_A=25^\circ\text{C}$ unless otherwise specified

Characteristic	Symbol	Value	Unit
Peak Pulse Power Dissipation on 10/1000 μS Waveform (Note 1, 2, 5)	PPPM	600	W
Peak Pulse Current on 10/1000 μS Waveform (Note 1)	IPPM	See Table 1	A
Peak Forward Surge Current (Note 2, 3)	IFSM	100	A
Maximum Instantaneous Forward Voltage at 50A (Note 3, 4)	V _F	3.5 / 5.0	V
Power Dissipation on Infinite Heatsink at $T_A = 50^\circ\text{C}$	P _D	5.0	W
Typical Thermal Resistance, Junction to Ambient (Note 2)	R _{JA}	100	$^\circ\text{C/W}$
Typical Thermal Resistance, Junction to Lead (Note 2)	R _{JL}	20	$^\circ\text{C/W}$
Operating and Storage Temperature Range	T _J , T _{STG}	-55 to +150	$^\circ\text{C}$

- Note:
1. Non-repetitive current pulse per Figure 5 and derated above $T_A = 25^\circ\text{C}$ per Figure 1.
 2. Mounted on 5.0 x 5.0mm copper pads to each terminal.
 3. Measured on 8.3ms single half sine-wave, duty cycle = 4 pulses per minute maximum. For uni-directional devices only.
 4. $V_F < 3.5\text{V}$ for $V_{BR} \leq 200\text{V}$ and $V_F < 5.0\text{V}$ for $V_{BR} \geq 201\text{V}$.
 5. Peak pulse power waveform is 10/1000 μS .



Electrical Characteristics (@T_A=25°C unless otherwise specified) Table 1

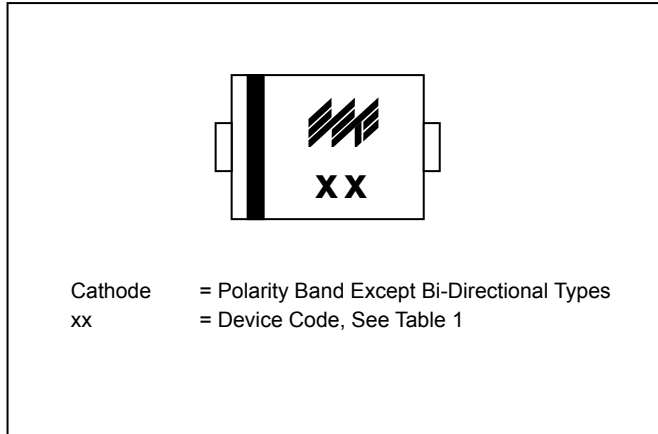
Uni-Directional Part No.	Bi-Directional Part No.	Device Marking Code		Reverse Stand-Off Voltage V _{RWM} (V)	Breakdown Voltage V _{BR} (V) @I _T		Test Current I _T (mA)	Maximum Clamping Voltage @I _{PP} V _C (V)	Peak Pulse Current I _{PP} (A)	Reverse Leakage* @V _{RWM} I _R (µA)
		UNI	BI		Min.	Max.				
P6SMBJ5.0	P6SMBJ5.0C	KD	AD	5.0	6.40	7.30	10	9.6	62.50	800
P6SMBJ5.0A	P6SMBJ5.0CA	KE	AE	5.0	6.40	7.00	10	9.2	65.22	800
P6SMBJ6.0	P6SMBJ6.0C	KF	AF	6.0	6.67	8.15	10	11.4	52.63	800
P6SMBJ6.0A	P6SMBJ6.0CA	KG	AG	6.0	6.67	7.37	10	10.3	58.25	800
P6SMBJ6.5	P6SMBJ6.5C	KH	AH	6.5	7.22	8.82	10	12.3	48.78	500
P6SMBJ6.5A	P6SMBJ6.5CA	KK	AK	6.5	7.22	7.98	10	11.2	53.57	500
P6SMBJ7.0	P6SMBJ7.0C	KL	AL	7.0	7.78	9.51	10	13.3	45.11	200
P6SMBJ7.0A	P6SMBJ7.0CA	KM	AM	7.0	7.78	8.60	10	12.0	50.00	200
P6SMBJ7.5	P6SMBJ7.5C	KN	AN	7.5	8.33	10.20	1	14.3	41.96	100
P6SMBJ7.5A	P6SMBJ7.5CA	KP	AP	7.5	8.33	9.21	1	12.9	46.51	100
P6SMBJ8.0	P6SMBJ8.0C	KQ	AQ	8.0	8.89	10.90	1	15.0	40.00	50
P6SMBJ8.0A	P6SMBJ8.0CA	KR	AR	8.0	8.89	9.83	1	13.6	44.12	50
P6SMBJ8.5	P6SMBJ8.5C	KS	AS	8.5	9.44	11.50	1	15.9	37.74	10
P6SMBJ8.5A	P6SMBJ8.5CA	KT	AT	8.5	9.44	10.40	1	14.4	41.67	10
P6SMBJ9.0	P6SMBJ9.0C	KU	AU	9.0	10.00	12.20	1	16.9	35.50	5
P6SMBJ9.0A	P6SMBJ9.0CA	KV	AV	9.0	10.00	11.10	1	15.4	38.96	5
P6SMBJ10	P6SMBJ10C	KW	AW	10.0	11.10	13.60	1	18.8	31.91	1
P6SMBJ10A	P6SMBJ10CA	KX	AX	10.0	11.10	12.30	1	17.0	35.29	1
P6SMBJ11	P6SMBJ11C	KY	AY	11.0	12.20	14.90	1	20.1	29.85	1
P6SMBJ11A	P6SMBJ11CA	KZ	AZ	11.0	12.20	13.50	1	18.2	32.97	1
P6SMBJ12	P6SMBJ12C	LD	BD	12.0	13.30	16.30	1	22.0	27.27	1
P6SMBJ12A	P6SMBJ12CA	LE	BE	12.0	13.30	14.70	1	19.9	30.15	1
P6SMBJ13	P6SMBJ13C	LF	BF	13.0	14.40	17.60	1	23.8	25.21	1
P6SMBJ13A	P6SMBJ13CA	LG	BG	13.0	14.40	15.90	1	21.5	27.91	1
P6SMBJ14	P6SMBJ14C	LH	BH	14.0	15.60	19.10	1	25.8	23.26	1
P6SMBJ14A	P6SMBJ14CA	LK	BK	14.0	15.60	17.20	1	23.2	25.86	1
P6SMBJ15	P6SMBJ15C	LL	BL	15.0	16.70	20.40	1	26.9	22.30	1
P6SMBJ15A	P6SMBJ15CA	LM	BM	15.0	16.70	18.50	1	24.4	24.59	1
P6SMBJ16	P6SMBJ16C	LN	BN	16.0	17.80	21.80	1	28.8	20.83	1
P6SMBJ16A	P6SMBJ16CA	LP	BP	16.0	17.80	19.70	1	26.0	23.08	1
P6SMBJ17	P6SMBJ17C	LQ	BQ	17.0	18.90	23.10	1	30.5	19.67	1
P6SMBJ17A	P6SMBJ17CA	LR	BR	17.0	18.90	20.90	1	27.6	21.74	1
P6SMBJ18	P6SMBJ18C	LS	BS	18.0	20.00	24.40	1	32.2	18.63	1
P6SMBJ18A	P6SMBJ18CA	LT	BT	18.0	20.00	22.10	1	29.2	20.55	1
P6SMBJ20	P6SMBJ20C	LU	BU	20.0	22.20	27.10	1	35.8	16.76	1
P6SMBJ20A	P6SMBJ20CA	LV	BV	20.0	22.20	24.50	1	32.4	18.52	1
P6SMBJ22	P6SMBJ22C	LW	BW	22.0	24.40	29.80	1	39.4	15.23	1
P6SMBJ22A	P6SMBJ22CA	LX	BX	22.0	24.40	26.90	1	35.5	16.90	1
P6SMBJ24	P6SMBJ24C	LY	BY	24.0	26.70	32.60	1	43.0	13.95	1
P6SMBJ24A	P6SMBJ24CA	LZ	BZ	24.0	26.70	29.50	1	38.9	15.42	1
P6SMBJ26	P6SMBJ26C	MD	CD	26.0	28.90	35.30	1	46.6	12.88	1
P6SMBJ26A	P6SMBJ26CA	ME	CE	26.0	28.90	31.90	1	42.1	14.25	1
P6SMBJ28	P6SMBJ28C	MF	CF	28.0	31.10	38.00	1	50.0	12.00	1
P6SMBJ28A	P6SMBJ28CA	MG	CG	28.0	31.10	34.40	1	45.4	13.22	1
P6SMBJ30	P6SMBJ30C	MH	CH	30.0	33.30	40.70	1	53.5	11.21	1
P6SMBJ30A	P6SMBJ30CA	MK	CK	30.0	33.30	36.80	1	48.4	12.40	1
P6SMBJ33	P6SMBJ33C	ML	CL	33.0	36.70	44.90	1	59.0	10.17	1
P6SMBJ33A	P6SMBJ33CA	MM	CM	33.0	36.70	40.60	1	53.3	11.26	1
P6SMBJ36	P6SMBJ36C	MN	CN	36.0	40.00	48.90	1	64.3	9.33	1
P6SMBJ36A	P6SMBJ36CA	MP	CP	36.0	40.00	44.20	1	58.1	10.33	1
P6SMBJ40	P6SMBJ40C	MQ	CQ	40.0	44.40	54.30	1	71.4	8.40	1
P6SMBJ40A	P6SMBJ40CA	MR	CR	40.0	44.40	49.10	1	64.5	9.30	1
P6SMBJ43	P6SMBJ43C	MS	CS	43.0	47.80	58.40	1	76.7	7.82	1
P6SMBJ43A	P6SMBJ43CA	MT	CT	43.0	47.80	52.80	1	69.4	8.65	1
P6SMBJ45	P6SMBJ45C	MU	CU	45.0	50.00	61.10	1	80.3	7.47	1
P6SMBJ45A	P6SMBJ45CA	MV	CV	45.0	50.00	55.30	1	72.7	8.25	1
P6SMBJ48	P6SMBJ48C	MW	CW	48.0	53.30	65.10	1	85.5	7.02	1
P6SMBJ48A	P6SMBJ48CA	MX	CX	48.0	53.30	58.90	1	77.4	7.75	1
P6SMBJ51	P6SMBJ51C	MY	CY	51.0	56.70	69.30	1	91.1	6.59	1
P6SMBJ51A	P6SMBJ51CA	MZ	CZ	51.0	56.70	62.70	1	82.4	7.28	1
P6SMBJ54	P6SMBJ54C	ND	DD	54.0	60.00	73.30	1	96.3	6.23	1
P6SMBJ54A	P6SMBJ54CA	NE	DE	54.0	60.00	66.30	1	87.1	6.89	1
P6SMBJ58	P6SMBJ58C	NF	DF	58.0	64.40	78.70	1	103.0	5.83	1
P6SMBJ58A	P6SMBJ58CA	NG	DG	58.0	64.40	71.20	1	93.6	6.41	1

*For bi-directional devices V_{RWM} ≤ 10V, the I_R limit is double.

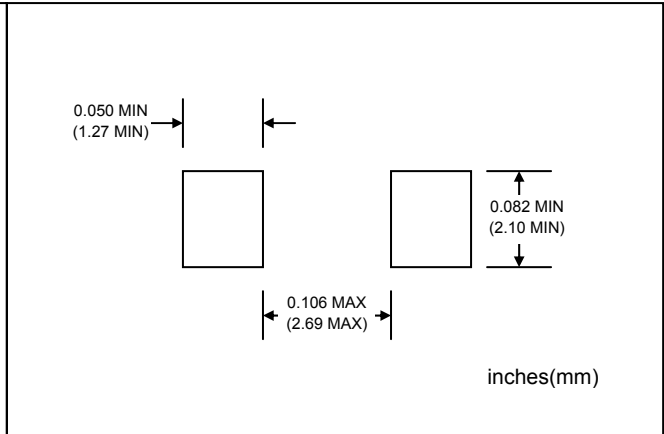
Electrical Characteristics (@T_A=25°C unless otherwise specified) Table 1 (Cont'd)

Uni-Directional Part No.	Bi-Directional Part No.	Device Marking Code		Reverse Stand-Off Voltage V _{RWM} (V)	Breakdown Voltage V _{BR} (V) @I _T		Test Current I _T (mA)	Maximum Clamping Voltage @I _{FP} V _C (V)	Peak Pulse Current I _{PP} (A)	Reverse Leakage @V _{RWM} I _R (μA)
		UNI	BI		Min.	Max.				
P6SMBJ60	P6SMBJ60C	NH	DH	60.0	66.70	81.50	1	107.0	5.61	1
P6SMBJ60A	P6SMBJ60CA	NK	DK	60.0	66.70	73.70	1	96.8	6.20	1
P6SMBJ64	P6SMBJ64C	NL	DL	64.0	71.10	86.90	1	114.0	5.26	1
P6SMBJ64A	P6SMBJ64CA	NM	DM	64.0	71.10	78.60	1	103.0	5.83	1
P6SMBJ70	P6SMBJ70C	NN	DN	70.0	77.80	95.10	1	125.0	4.80	1
P6SMBJ70A	P6SMBJ70CA	NP	DP	70.0	77.80	86.00	1	113.0	5.31	1
P6SMBJ75	P6SMBJ75C	NQ	DQ	75.0	83.30	102.00	1	134.0	4.48	1
P6SMBJ75A	P6SMBJ75CA	NR	DR	75.0	83.30	92.10	1	121.0	4.96	1
P6SMBJ78	P6SMBJ78C	NS	DS	78.0	86.70	106.00	1	139.0	4.32	1
P6SMBJ78A	P6SMBJ78CA	NT	DT	78.0	86.70	95.80	1	126.0	4.76	1
P6SMBJ85	P6SMBJ85C	NU	DU	85.0	94.40	115.00	1	151.0	3.97	1
P6SMBJ85A	P6SMBJ85CA	NV	DV	85.0	94.40	104.00	1	137.0	4.38	1
P6SMBJ90	P6SMBJ90C	NW	DW	90.0	100.00	122.00	1	160.0	3.75	1
P6SMBJ90A	P6SMBJ90CA	NX	DX	90.0	100.00	111.00	1	146.0	4.11	1
P6SMBJ100	P6SMBJ100C	NY	DY	100.0	111.00	136.00	1	179.0	3.35	1
P6SMBJ100A	P6SMBJ100CA	NZ	DZ	100.0	111.00	123.00	1	162.0	3.70	1
P6SMBJ110	P6SMBJ110C	PD	ED	110.0	122.00	149.00	1	196.0	3.06	1
P6SMBJ110A	P6SMBJ110CA	PE	EE	110.0	122.00	135.00	1	177.0	3.39	1
P6SMBJ120	P6SMBJ120C	PF	EF	120.0	133.00	163.00	1	214.0	2.80	1
P6SMBJ120A	P6SMBJ120CA	PG	EG	120.0	133.00	147.00	1	193.0	3.11	1
P6SMBJ130	P6SMBJ130C	PH	EH	130.0	144.00	176.00	1	231.0	2.60	1
P6SMBJ130A	P6SMBJ130CA	PK	EK	130.0	144.00	159.00	1	209.0	2.87	1
P6SMBJ150	P6SMBJ150C	PL	EL	150.0	167.00	204.00	1	268.0	2.24	1
P6SMBJ150A	P6SMBJ150CA	PM	EM	150.0	167.00	185.00	1	243.0	2.47	1
P6SMBJ160	P6SMBJ160C	PN	EN	160.0	178.00	218.00	1	287.0	2.09	1
P6SMBJ160A	P6SMBJ160CA	PP	EP	160.0	178.00	197.00	1	259.0	2.32	1
P6SMBJ170	P6SMBJ170C	PQ	EQ	170.0	189.00	231.00	1	304.0	1.97	1
P6SMBJ170A	P6SMBJ170CA	PR	ER	170.0	189.00	209.00	1	275.0	2.18	1
P6SMBJ180	P6SMBJ180C	PS	ES	180.0	200.00	244.80	1	322.2	1.86	1
P6SMBJ180A	P6SMBJ180CA	PT	ET	180.0	200.00	220.00	1	291.6	2.06	1
P6SMBJ190	P6SMBJ190C	PU	EU	190.0	211.00	258.40	1	340.1	1.76	1
P6SMBJ190A	P6SMBJ190CA	PV	EV	190.0	211.00	232.00	1	307.8	1.95	1
P6SMBJ200A	P6SMBJ200CA	PX	EX	200.0	224.00	247.00	1	324.0	1.85	1
P6SMBJ220A	P6SMBJ220CA	QE	FE	220.0	246.00	272.00	1	356.0	1.69	1
P6SMBJ250A	P6SMBJ250CA	QF	FF	250.0	279.00	309.00	1	405.0	1.48	1
P6SMBJ300A	P6SMBJ300CA	QG	FG	300.0	335.00	371.00	1	486.0	1.23	1
P6SMBJ350A	P6SMBJ350CA	QH	FH	350.0	391.00	432.00	1	567.0	1.06	1
P6SMBJ400A	P6SMBJ400CA	QK	FK	400.0	447.00	494.00	1	648.0	0.93	1
P6SMBJ440A	P6SMBJ440CA	QL	FL	440.0	492.00	543.00	1	713.0	0.84	1

MARKING INFORMATION

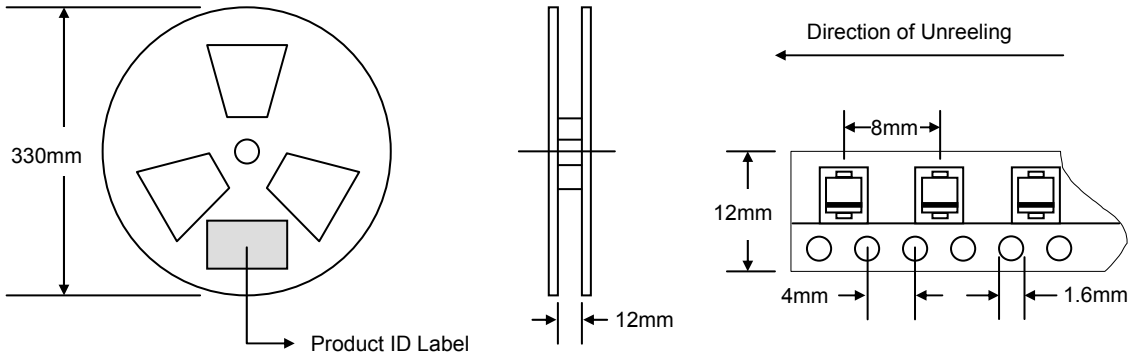


RECOMMENDED FOOTPRINT



PACKAGING INFORMATION

TAPE & REEL




Reel Diameter (mm)	Quantity (PCS)	Inner Box Size L x W x H (mm)	Quantity (PCS)	Carton Size L x W x H (mm)	Quantity (PCS)	Approx. Gross Weight (KG)
330	3,000	340 x 337 x 45	6,000	370 x 370 x 420	48,000	14.0

Note: 1. Paper reel, white or gray color.
2. Components are packed in accordance with EIA standard 481-1 and 481-2.

ORDERING INFORMATION

Product No.	Package Type	Shipping Quantity
P6SMBJxx-T3	SMB	3000/Tape & Reel

1. Shipping quantity given is for minimum packing quantity only. For minimum order quantity, please consult the Sales Department.
2. **To order RoHS / Lead Free version (with Lead Free finish), add "-LF" suffix to part number above. For example, P6SMBJ5.0-T3-LF.**

WON-TOP ELECTRONICS and  are registered trademarks of Won-Top Electronics Co., Ltd (WTE). WTE has checked all information carefully and believes it to be correct and accurate. However, WTE cannot assume any responsibility for inaccuracies. Furthermore, this information does not give the purchaser of semiconductor devices any license under patent rights to manufacturer. WTE reserves the right to change any or all information herein without further notice.

WARNING: DO NOT USE IN LIFE SUPPORT EQUIPMENT. WTE power semiconductor products are not authorized for use as critical components in life support devices or systems without the express written approval.

Won-Top Electronics Co., Ltd.
No. 44 Yu Kang North 3rd Road,
Chine Chen Dist., Kaohsiung 806, Taiwan
Phone: 886-7-822-5408 or 886-7-822-5410
Fax: 886-7-822-5417
Email: sales@wontop.com
Internet: <http://www.wontop.com>

We power your everyday.