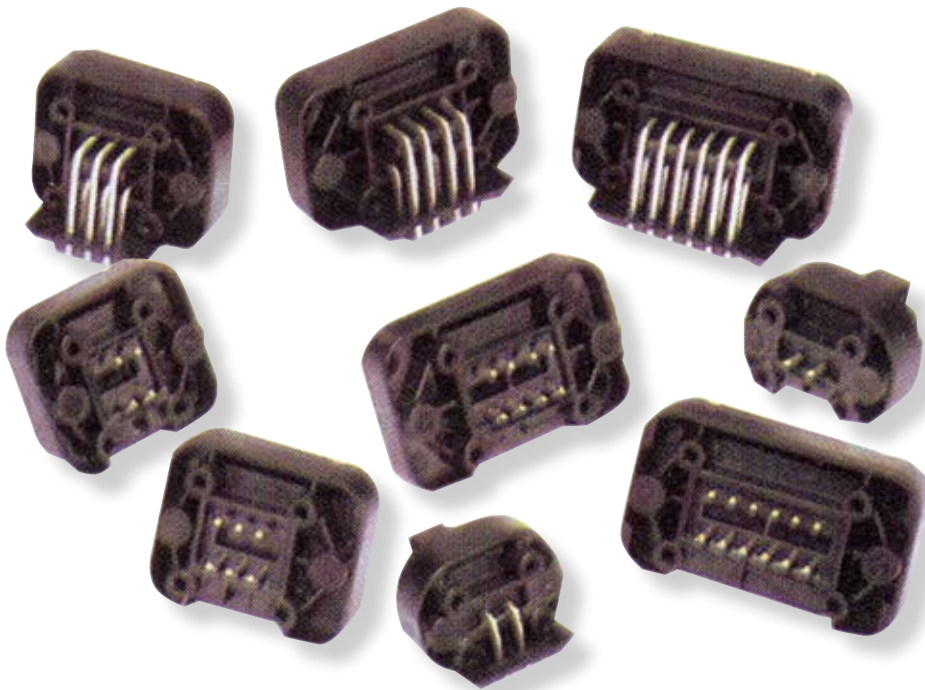


# DT13/15 Series Right Angle



Deutsch I.P.D. engineers have developed the DT13/15 Series of P.C.B. headers for those applications requiring a budget-minded - low pin count connector. Designed in 2, 4, 6, 8 and 12 pin arrangements and utilizing the size 16 contact, the DT13/15 Series fills the need for many heavy-duty rated electronic sensor and small module applications.

Designed for application flexibility, the DT13 Series is supplied with (90°) right angle terminations. As the DT15 Series denotes straight pins, the solid copper alloy pins are molded-in providing excellent vibration/shock reliability that is required in the truck, bus and off-highway industry.

The DT13/15 headers mate with the Deutsch DT06 Series plugs, which may be specified with precision formed contacts for a low total cost installation.

## Materials

Housing: Thermoplastic  
 Contacts: Molded-In Copper Alloy Tin Plated  
 (Gold Optional - Consult Factory)  
 Mtg. Seal: Silicone

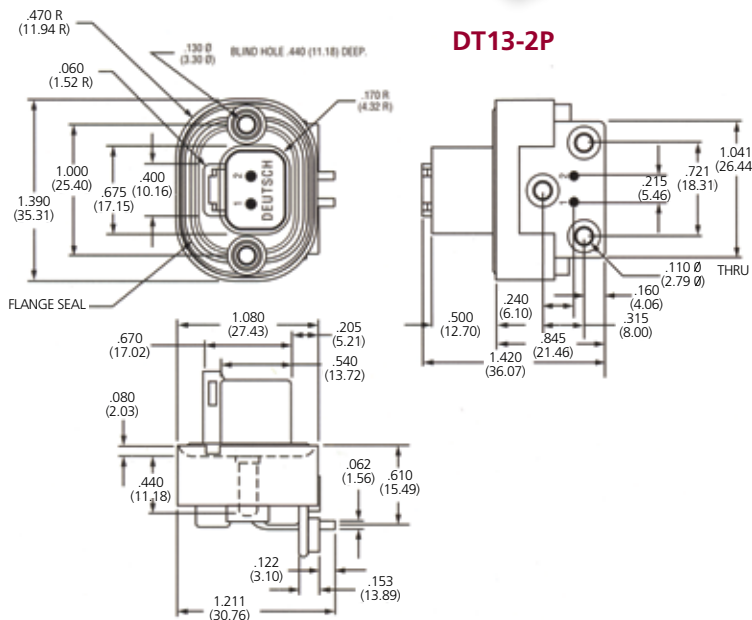
## P.C.B. Mounting

Consult factory for P.C.B. mounting details and pin positions.

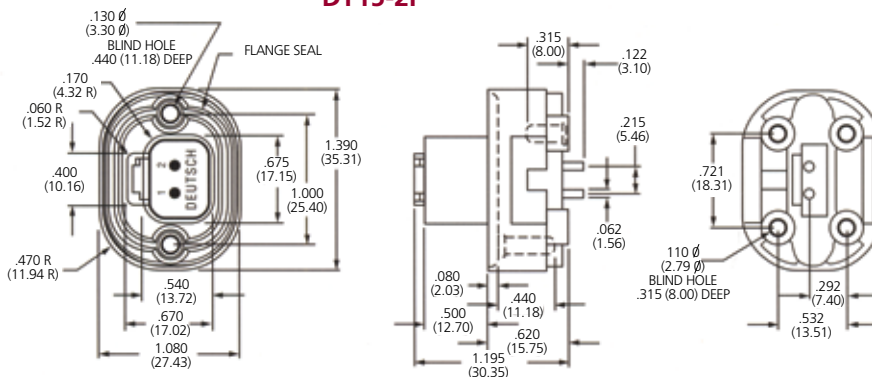
## Mating Plugs

- 2 Pin: DT06 - 2S
- 4 Pin: DT06 - 4S
- 6 Pin: DT06 - 6S
- 8 Pin: DT06 - 08S\*
- 12 Pin: DT06 - 12S\*

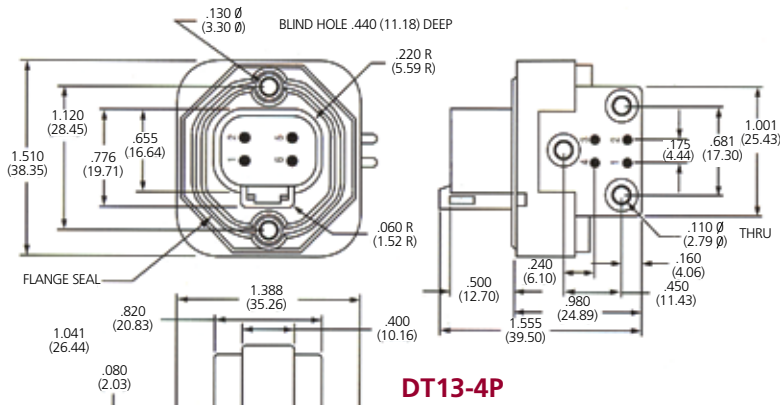
**\*Keying Positions:** Position "A" supplied as standard. Alternate positions B, C, & D are available.



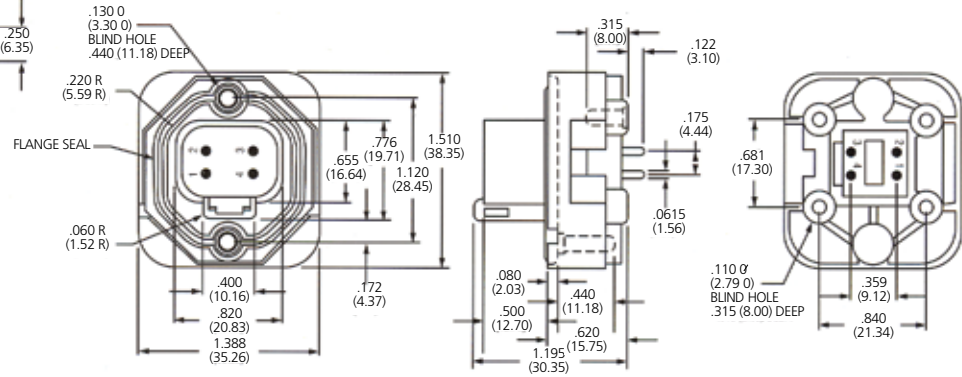
**DT15-2P**



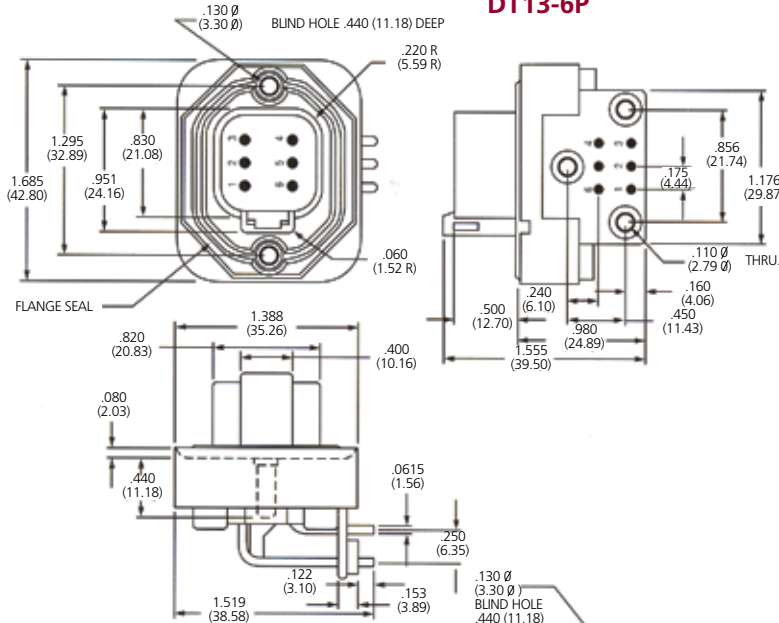
# DT13/15 Series Right Angle



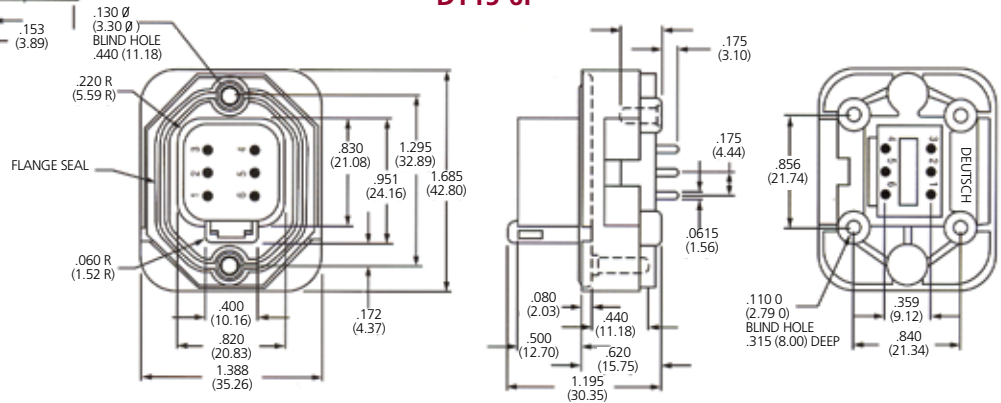
**DT15-4P**



**DT13-6P**



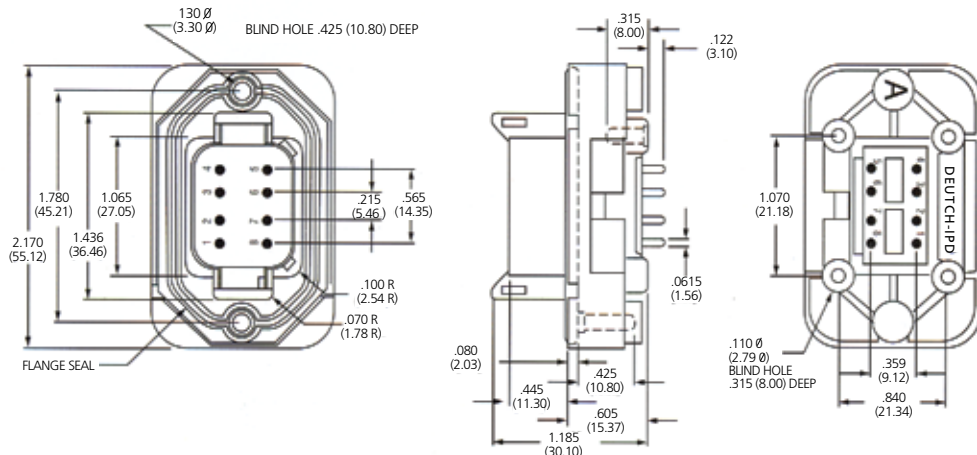
**DT15-6P**



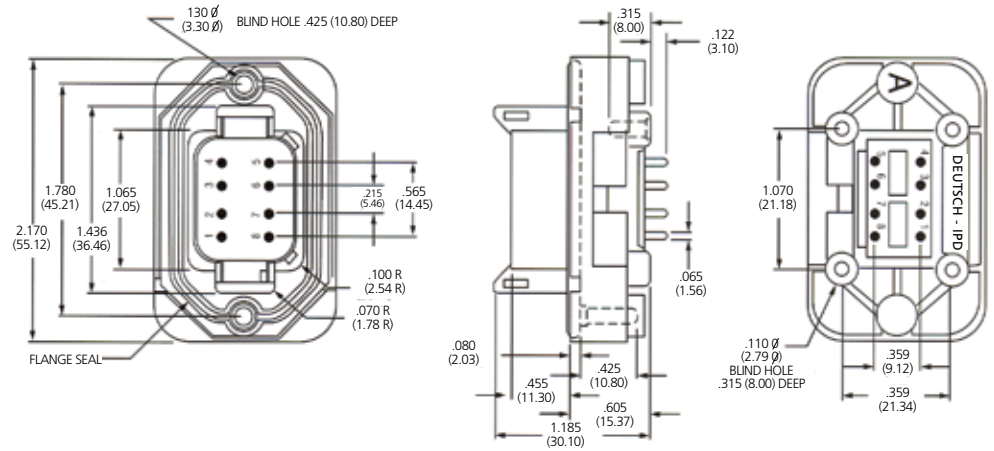
# DT13/15 Series Right Angle



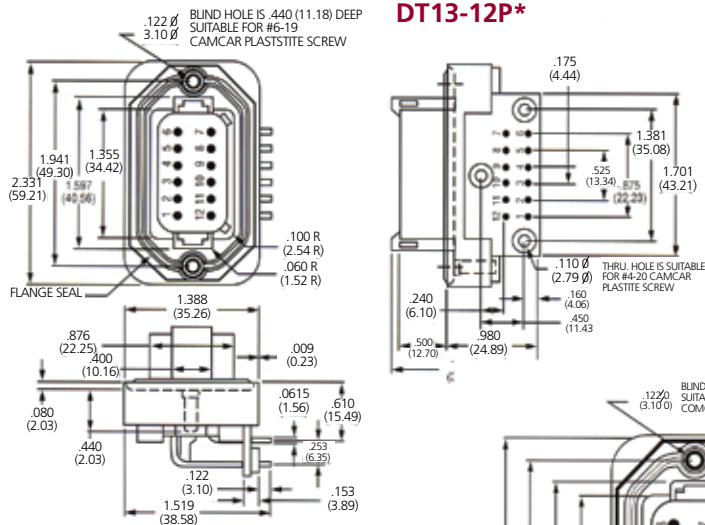
## DT13-08P\*



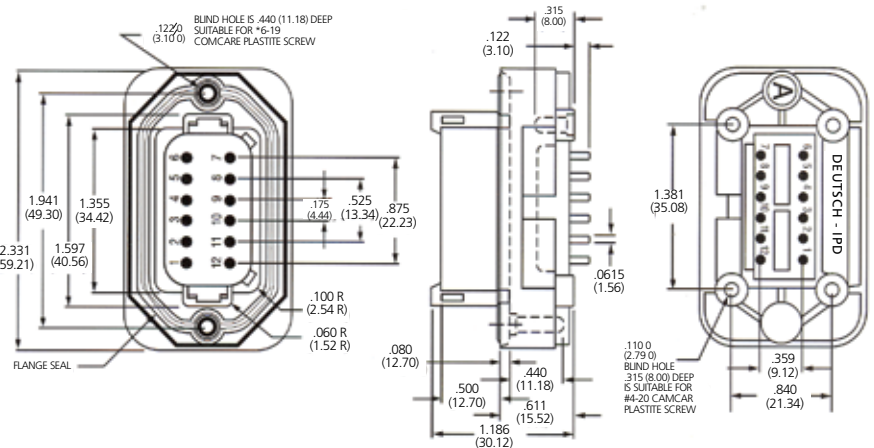
## DT15-08P\*



## DT13-12P\*



## DT15-12P\*



### \*Keying Positions

Position "A" supplied as standard.  
Alternate positions B, C & D are available.

