

STK403-240A STK403-250A



Triple power audio amplifier with stand-by

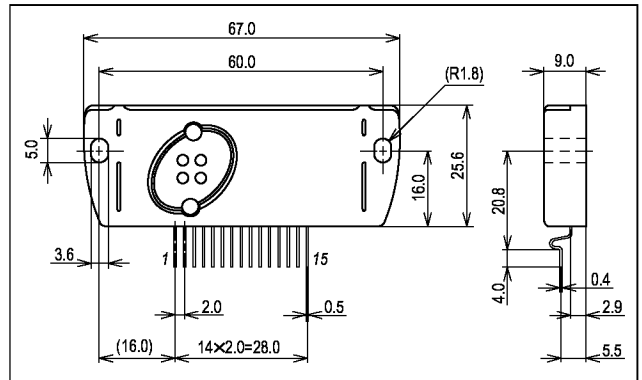
- AF output power STK403-240A: 3x40W
STK403-250A: 3x50W

MAXIMUM RATINGS / Ta=25°C

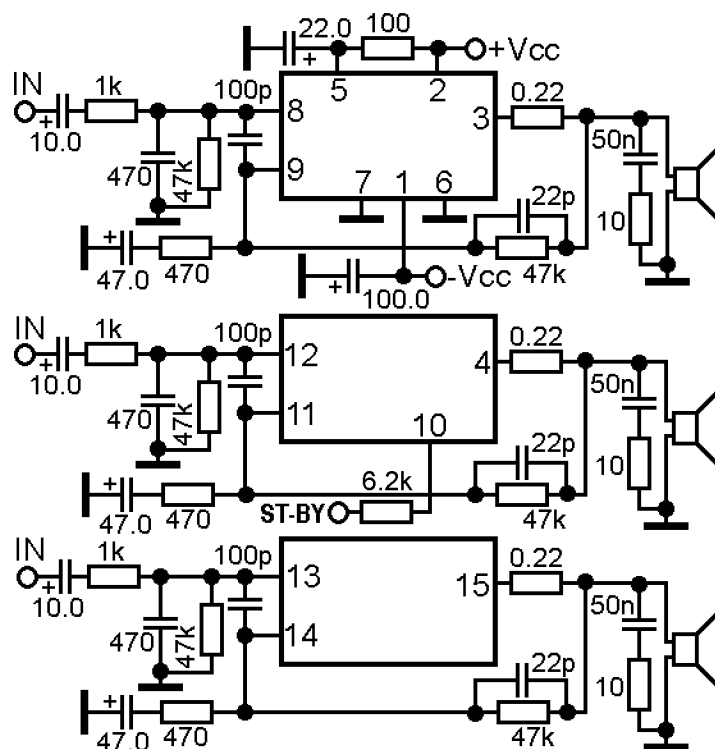
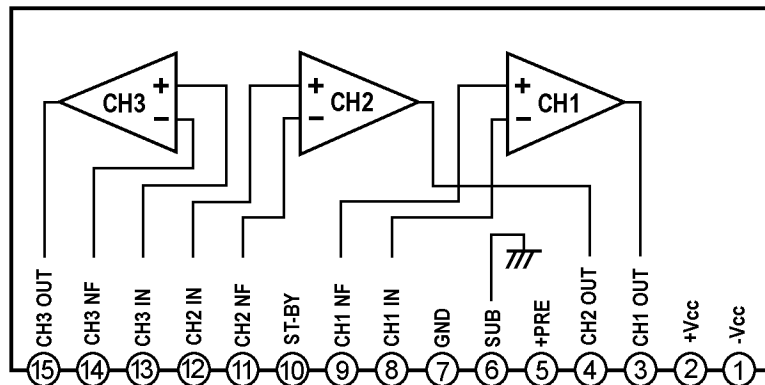
	STK403-240A	STK403-250A
Maximum Supply Voltage V_{CCmax}	$\pm 38V$	$\pm 46V$
Minimum Supply Voltage V_{CCmin}	$\pm 18V$	$\pm 20V$
Quiescent Current I_{CC0} (typ)	45mA	45mA
Voltage gain VG ($P_o=0.1W$)	30dB	30dB
Distortion THD ($P_o=5.0W$)	0.02%	0.02%
Input Resistance R_{in} ($P_o=1.0W$)	55kOhm	55kOhm
Power Bandwidth Bw ($P_o=1W, +0...-3dB$)	20Hz...50kHz	
Load Resistance R_L	4...6 Ohm	
Built-in stand-by function ($I_{st}=1.2mA$)		
Stand-by condition: ST-BY= GND- operate		
ST-BY= +PreVcc- stand-by		

Package Dimension

unit:mm (typ)



Internal Block Diagram



Application Circuit Example